



TERATRAC



- IT - PARTI DI RICAMBIO
- EN - SPARE PARTS
- DE - ERSATZTEILE
- FR - PIÈCES DE RECHANGE
- ES - PIEZAS DE REPUESTO



REL. 0405



Indice tavole - Contents - Inhaltsverzeichnis - Table de materies - Índice TERATRAC

Rel. 0405

Tav. 01	Cofano	Coffre	Haube	Bonnet	Capot
Tav. 01/A	Cofano	Coffre	Haube	Bonnet	Capot
Tav. 02	Impianto elettrico	Installation électrique	Elektrische Anlage	Electric system	Instalación eléctrica
Tav. 02/A	Impianto elettrico	Installation électrique	Elektrische Anlage	Electric system	Instalación eléctrica
Tav. 03	Impianto idraulico	Installation hydraulique	Hydraulikanlage	Hydraulic system	Instalación hidráulica
Tav. 04	Comandi	Commandes	Steuerungen	Controls	Mandos
Tav. 05	Sollevatore anteriore	Relevage hydr. Anter.	Kraftheber vorne	Front hydr. Lift	Elevador hidr. Frontal
Tav. 06	Sollevatore Posteriore	Relevage hydr.	Kraftheber hinten	Hydraulic Lift	Elevador hidráulico
Tav. 07	Frizione	Embrayage	Kupplung	Clutch	Embrague
Tav. 08	Telaio	Chassis	Fahrgestell	Frame	Bastidor
Tav. 09	Trasmissione	Transmission	Triebwerk	Transmission	Grupo de transmision
Tav. 10	Ponte anteriore 2RM	Essieu avant	Vorderachse	Front axle	Eje delantero
Tav. 11	Ponte anteriore 4RM	Essieu avant	Antriebvorderachse	Drive front axle	Eje delantero
Tav. 12	Ponte anteriore 4RM	Essieu avant	Antriebvorderachse	Drive front axle	Eje delantero
Tav. 13	Differenziale / A	Différentiel / A	Differential / A	Differential / A	Diferencial / A
Tav. 14	Differenziale / B	Différentiel / B	Differential / B	Differential / B	Diferencial / B
Tav. 15	Comandi cambio	Commandes boîte de vit.	Steuerung	Gear controls	Mando del cambio
Tav. 16	Scatola e trasmissione	Boîte de vitesses	Schaltgetriebe	Gearbox	Cambio
Tav. 17	Innesto 4WD e ADS	Clabotage de 4RM et ADS	ADS- u. Allradschaltung	ADS and 4WD clutch	Inesto ADS e 4RM
Tav. 18	Materiale di consumo	Consummations	Verbrauchsmaterial	Wearing material	Material de consumo
Tav. 19	PTO anteriore / A	Prise de force frontal / A	Frontzapfwelle / A	Front P.T.O. / A	Toma de fuerza delantera / A
Tav. 20	PTO anteriore / B	Prise de force frontal / B	Frontzapfwelle / B	Front P.T.O. / B	Toma de fuerza delantera / B
Tav. 21	Adesivi e targhette	Autocollants et plaquettes	Aufkleber und Schilder	Stickers and id.plates	Adhesivos y placas



B0059

Coffre - Haube - Bonnet - Capot

Pos.	Code	N°						
Rel. 0405	1	9901521	1	SEDILE CON MOLLEGGIO SC 400	Fahrersitz	Seat	Siege	Asiento
	2	5301762	1	PARAFANGO POSTER. TERATRAC LDW702 ASS.	Kotflügel	Fender	Garde Boue (Aile)	Guardabarro
	3	5301611	1	SUPPORTO DX FANALI ASS.	Halterung, Rechts	Support	Support	Soporte
	4	5301634	1	CRUSCOTTO SUP.IDROTRAC	Abdeckung, Oben	Dash Board	Tableau De Bord	Cuadro
	5	5301633	1	CRUSCOTTO INF.IDROTRAC	Abdeckung, Unten	Plate	Tableau De Bord	Cuadro
	6	9014102	11	VITE TBEI M 6 X 16 PASS. ISO 7380	Schraube	Screw	Vis	Tornillo
	7	5301603	1	SUPP. CRUSCOTTO HAKO	Halteung	Support	Support	Soporte
	8	5301602	1	PARATIA MOT.LDW 602 X COFANO ABS	Abdeckung	Plate	Protection	Tapa
	9	5301604	1	SUPP. POSTERIORE CRUSCOTTO HAKO	Halteung	Support	Support	Soporte
	10	5301631	1	FIANCATINA DX	Seitenteil	Body Side	Joue	Lado
	11	5301666	1	COFANO MOTORE IN ABS PER LDW BARBIERI	Haube	Bonnet	Capot	Capota
	12	5301667	1	FIANCATA DX IN ABS PER LDW BARBIERI	Seitenteil	Side	Joue	Lado
	13	9024002	6	DADO AUTOBL.ALTO M 8 PASS. UNI 7473	Mutter	Nut	Ecrou	Tuerca
	14	9052002		ROSETTA PIANA M 8 PASS. UNI 6592	Unterlegscheibe	Washer	Rondelle	Arandela
	15	5301617	2	PERNO CENTRAGGIO FIANCATA LAT.	Gewindezapfen	Pin	Pivot	Perno
	16	5301669	1	MASCHERINA PORTA FANALI	Maske	Maske	Couvre	Rejilla
	17	3702113	1	TUBO PER FILTRO ARIA Ø35I	Schlauch	Hose	Tuyau	Tubo
	18	9901695	1	FILTRO A CICLONE ASS.	Zyklonluftfilter	Filter	Filtre	Filtro
	19	-		NON FORNITO SINGOLARMENTE	Nicht Einzel lieferbar	Not Supplied Alone	Pas Fourni Tout Seul	Indisponible Suelto
	20	9901625	2	ANTIVIBRANTE M 8 Ø 30X15 VV20W 45 SHORE	Gummipuffer	Silent Block	Tampon En Caoutchouc	Supporte En Gomma
	21	5301576	1	SUPP. DX RADIATORE COMBINATO	Halteung, Rechts	Support	Support	Soporte
	21	5301575	1	SUPP. SX RADIATORE COMBINATO	Halteung, Links	Support	Support	Soporte
	22	5301613	1	SUPP. ATTACCHI RAPIDI DA 3/8"	Halteung	Support	Support	Soporte
	23	3701794	1	RADIATORE X FOCS 602 ASS.	Kühler	Radiator	Radioateur	Radiator
	24	5301578	1	LAMA DX SUPP. RADIATORE COMBINATO	Leiste Rechts	Support	Support	Soporte
	24	5301577	1	LAMA SX SUPP. RADIATORE COMBINATO	Leiste Links	Support	Support	Soporte
	25	3702465	1	GRIGLIA RADIATORE LDW602	Sieb	Sheet	Tamis	Rejilla
	26	9011003	4	VITE TE M 8 X 25 PASS.	Schraube	Screw	Vis	Tornillo
	27	9042016	4	ROSETTA PIANA M 6 X 18 PASS.	Unterlegscheibe	Washer	Rondelle	Arandela
	28	9024003	4	DADO AUTOBL.ALTO M 6 PASS. UNI 7473	Mutter	Nut	Ecrou	Tuerca

**Tav. 01****COFANO****2/3****Coffre - Haube - Bonnet - Capot**

B0059

Pos. Code N°

Pos.	Code	N°						
Rel. 0405	29	9901264	4	ANTIVIBRANTE M 6 Ø 25X20	Gummipuffer	Silent Block	Tampon En Caoutchouc	Supporte EnGomma
	30	5301620	1	TIRANTE DESTRO PER RADIATORE (IDRO.)	Zugbolzen, Rechts	Tie Rod	Tirant	Tirante
	30	5301619	1	TIRANTE SINISTRO PER RADIATORE (IDRO.)	Zugbolzen, Links	Tie Rod	Tirant	Tirante
	31	5301635	1	ASTA RIBALTAMENTO COF.MOT.IDROTRAC	Verbindungsstange	Shift Lever	Barre De Jonction	Barra
	32	5301574	1	LAMIERINO ATTACCO COFANO	Blech	Swaged	Tôle	Chapa
	33	5301679	1	PROLUNGA VENTOLA LDW 702	Aufnahme Lüferrad	Extension	Rallonge	Extension
	34	9901791	1	KIT MANICOTTI PER RADIATORE	Muffe	Sleeve	Manchon	Languito
	35	9037203	4	FASCETTA SERRATUBO 32-52	Rohrklemme	Clamp	Bande	Abrazadera
	36	9004508	2	VITE TTQST M 6 X 16 PASS.	Schraube	Screw	Vis	Tornillo
	37	5301618	2	LAMIERINO FISSAGGIO PARATIA	Blech	Swaged	Tôle	Chapa
	38	5301567	4	BOTTONE FISS. FIANCATE COFANO	Drehverschluss	Screw	Vis	Tornillo
	39	9901632	4	FERMO X ATTACCO RAPIDO COFANO IDROTRAC	Halterung	Clif	Support	Soporte
	40	5301668	1	FIANCATA SN IN ABS PER LDW BARBIERI	Seitenteil	Side	Joue	Lado
	41	5301632	1	FIANCATINA SX	Seitenteil	Body Side	Joue	Lado
	43	9901431	2	PROFILO INGOMMAPARAFANGO LARG. 50	Profil	Rub	Profil	Perfil
	44	5301610	1	SUPPORTO SX FANALI ASS.	Halterung	Support	Support	Soporte
	45	9013004	2	VITE TSEI M 8 X 30 PASS. UNI 5933	Schraube	Screw	Vis	Tornillo
	46	3701627	2	RONDELLA FISS.COFAANO	Unterlegscheibe	Washer	Rondelle	Arandela
	47	3701554	4	GUARNIZIONE NYLON 19X50X1	Dichtung	Gasket	Joint	Junta
	48	1401577	2	BOCCOLA X PERNO BLOC.DIFF. LUNGA	Buchse	Bushing	Douille	Buje
	49	9031006	2	DADO BASSO M 18 X 1,5 PASS. UNI 5589	Mutter	Nut	Ecrou	Tuerca
	50	9901643	9	DADO RAPIDO M 6	Mutter	Nut	Ecrou	Tuerca
	51	9052010	2	ROSETTA PIANA M 8 X 24 PASS.	Unterlegscheibe	Washer	Rondelle	Arandela
	52	9024002	2	DADO AUTOBL.ALTO M 8 PASS. UNI 7473	Mutter	Nut	Ecrou	Tuerca
	53	0015107	1	LAMIERINO ATTACCO COFANO	Blech	Connection	Tôle	Chapa
	54	9023003	2	DADO AUTOBL.BASSO M 6 PASS. UNI 7474	Mutter	Nut	Ecrou	Tuerca
	55	0015106	2	MOLLA COFANO LDW	Feder	Spring	Ressort	Resorte
	56	9012039	2	VITE TCEI M 6 X 30 PASS. UNI 5931	Schraube	Screw	Vis	Tornillo
	57	9901673	6	ROSETTAFERMABOTTONEFIANCATEVTR	Unterlegscheibe	Washer	Rondelle	Arandela
	58	3702564	1	PARATIA SUP. RADIATORE LDW602/702	Abdeckung	Plate	Protection	Tapa



TERATRAC

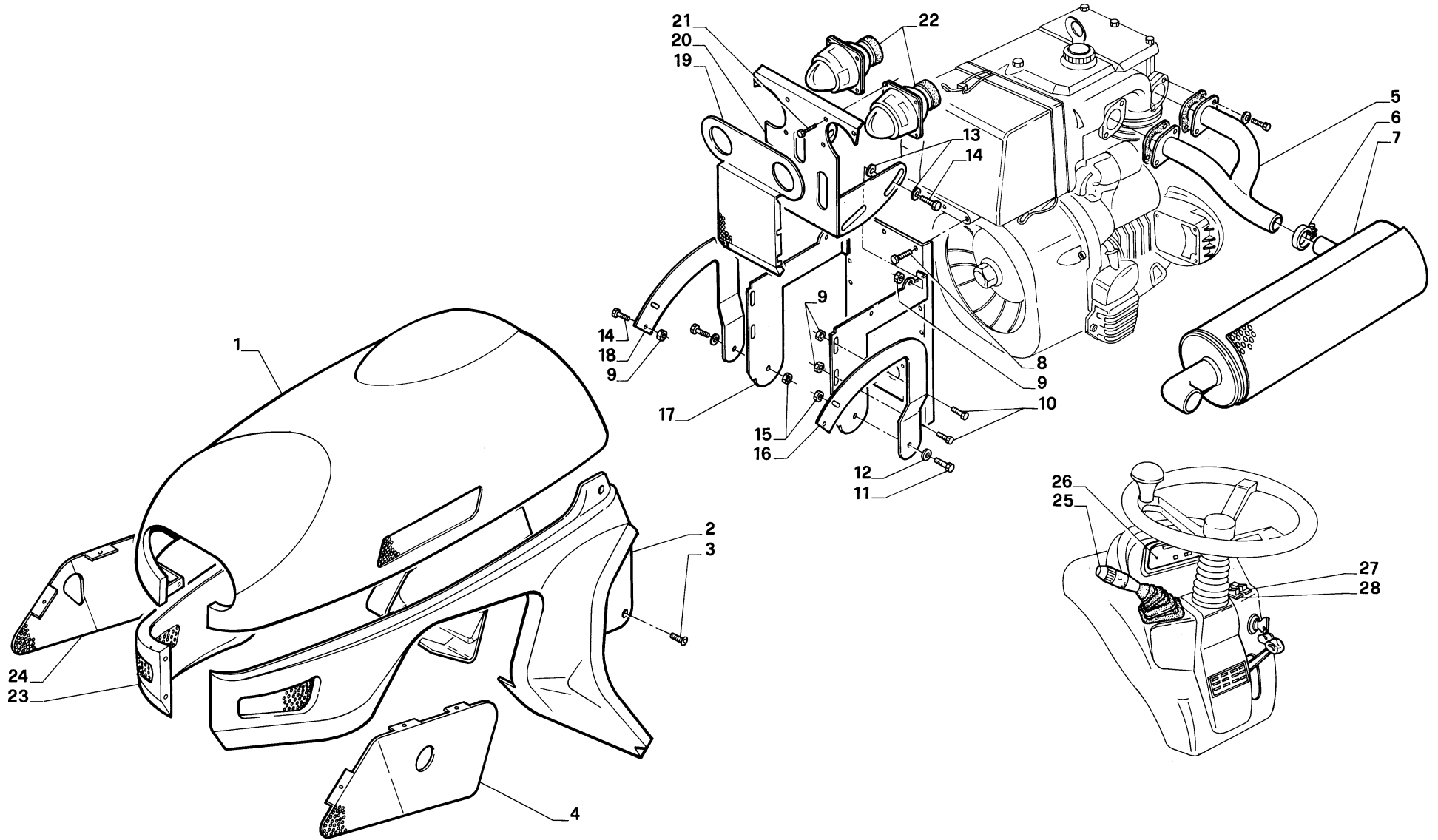
Tav. 01/A

B0185

COFANO

Coffre - Haube - Bonnet - Capot

Rel. 0405



**Tav. 01/A**

B0185

COFANO**Coffre - Haube - Bonnet - Capot**

Pos.	Code	N°						
Rel. 0405	1	3702255	1	COF. MOT. IN V.T.R. MOT. MD151	Haube	Bonnet	Capot	Capota
	2	3702257	1	FIANCATA SN. IN V.T.R. MOT. MD151	Seitenteil	Side	Joue	Lado
	3	9014101	4	VITE TBEI M 8 X 25 Z	Schraube	Screw	Vis	Tornillo
	4	3702273	1	FIANC. IN RETE SN. COF. VTR MD151	Seitenteil	Side	Joue	Lado
	5	3702306	1	COLLETTORE PER MARMITTA MD151				
	6	9901595	1	FASCETTA FISS. MARMITTA MD151	Schelle	Clamp	Bande	Abrazadera
	7	3702260	1	MARMITTA COFANO VTR MD 151	Auspufftopf	Muffler	Pot D'Echappement	Silenciador
	8	9001165	3	VITE TE M 8X16 TENSILOCK	Schraube	Screw	Vis	Tornillo
	9	9024003	8	DADO AUTOBL. M 6	Mutter	Nut	Ecrou	Tuerca
	10	9011025	4	VITE TE M 6X22	Schraube	Screw	Vis	Tornillo
	11	9011003	2	VITE TE M 8X25	Schraube	Screw	Vis	Tornillo
	12	9052010	2	ROSETTA PIANA Ø 8X24 Z	Scheibe	Washer	Rondelle	Arandela
	13	9042016	4	ROSETTA PIANA Ø 6 FL	Scheibe	Washer	Rondelle	Arandela
	14	9011013	8	VITE TE M 6X16	Schraube	Screw	Vis	Tornillo
	15	9024003	2	DADO AUTOBL. ALTO M 6 Z	Mutter	Nut	Ecrou	Tuerca
	16	3702230	1	SUPP. SN. COFANO IN V.T.R.	Halterung	Support	Support	Soporte
	17	3702314	1	ASS. SUPPORTO FIANCATE	Halterung	Support	Support	Soporte
	18	3702229	1	SUPP. DS. COFANO IN V.T.R.	Halterung	Support	Support	Soporte
	19	3702268	1	MASCHERINA ANTERIORE COFANO	Maske	Maske	Couvre	Rejilla
	20	3702254	1	SUPP. FANALI PER COF. VTR MD 151	Halterung	Support	Support	Soporte
	21	9004105	6	VITE AUTOBL. 2,8X13	Schraube	Screw	Vis	Tornillo
	22	9901573	2	PROIETTORE ELITTICO TERA TRAC	Rückleuchte	Light	Feu	Farolito
	23	3702256	1	FIANCATA DS. IN V.T.R. MOT. MD151	Seitenteil	Side	Joue	Lado
	24	3702272	1	FIANCATA IN RETE DS. COF. VTR MD151	Seitenteil	Side	Joue	Lado
	25	9901591	1	DEVIATORE FANALI FRECCHE	Blinkschalter	Trafficator Switch	Interrupteur Clignotant	Interruptor Ind Direccion
	26	9901592	1	CRUSCOTTINO (CHECK)	Abdeckung, Oben	Dash Board	Tableau De Bord	Cuadro
	27	9901593	1	PULS. BASCUL. FRECCHE EMERGENZA	Schalter	Push Button	Intérrupteur	Interruptor
	28	9901594	1	PULS. BASCUL. FRIZIONE ELETTROM.	Schalter	Push Button	Intérrupteur	Interruptor



TERATRAC

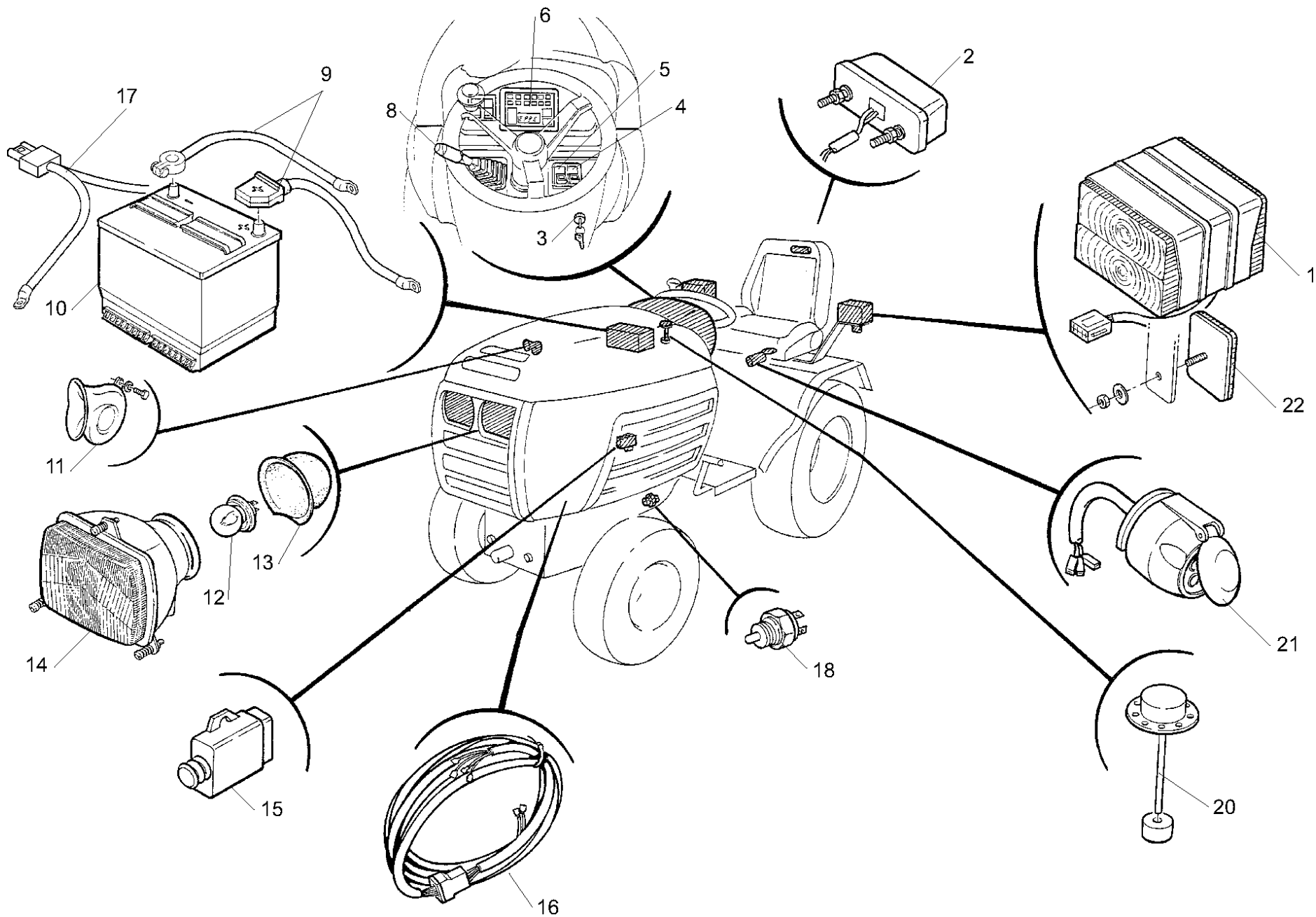
Tav. 02

B0085

IMPIANTO ELTTRICO

Installation électrique - Elektrische Anlage - Electric system - Instalación eléctrica

Rel. 0405





TERATRAC

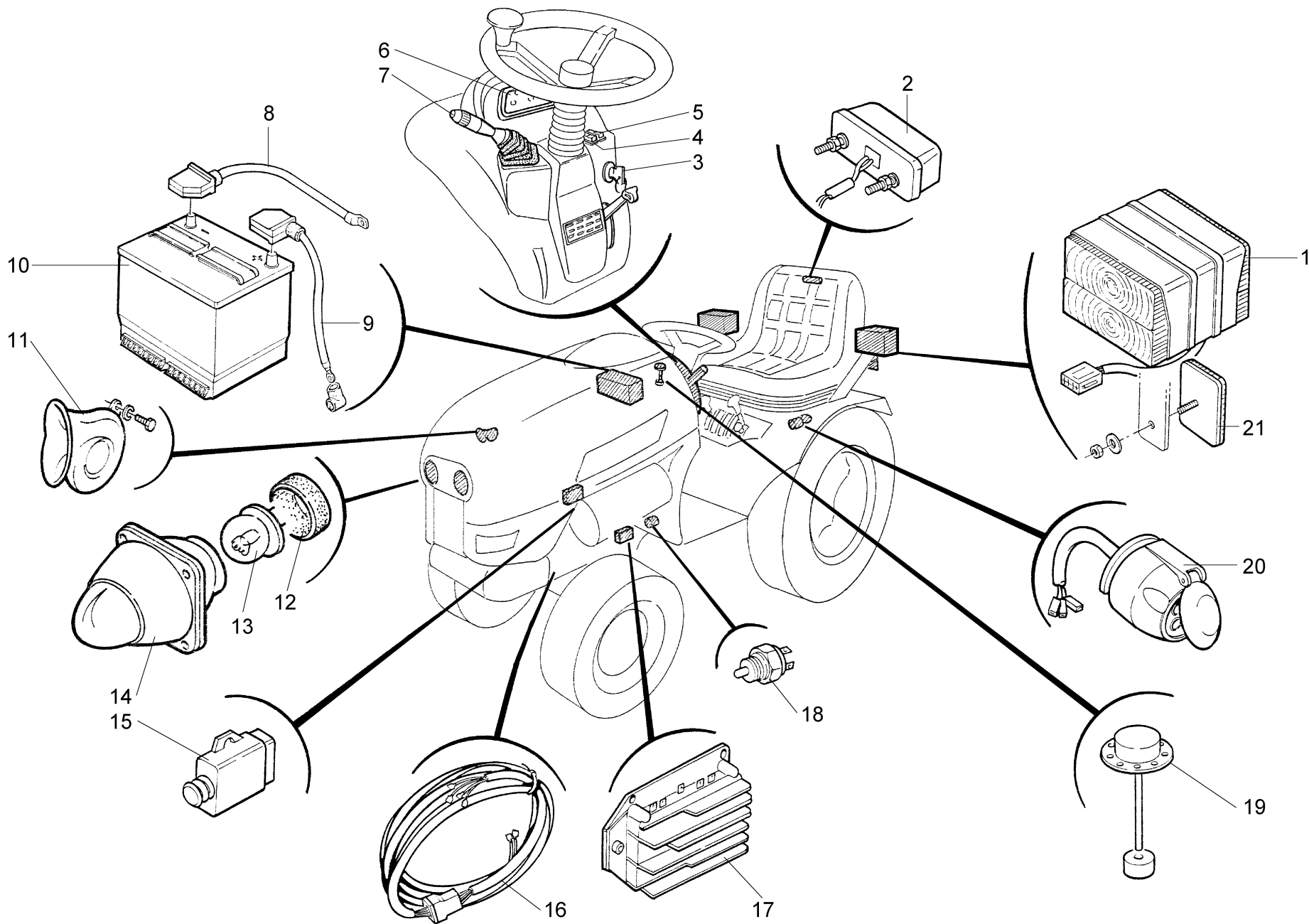
Tav. 02/A

B0041

IMPIANTO ELTTRICO

Installation électrique - Elektrische Anlage - Electric system - Instalación eléctrica

Rel. 0405



**Tav. 02/A**

B0041

IMPIANTO ELTTRICO**Installation électrique - Elektrische Anlage - Electric system - Instalación eléctrica**

Pos.	Code	N°						
Rel. 0405	1	9901466	2	FANALE POSTERIORE TR	Rückleuchte	Light	Feu	Farolito
	2	5301639	1	KIT LUCE TARGA X FOX	Kennzeichenbeleuchtung	Number Plate Light	Lumiere Plaque	Luz Placa
	3	0730376	1	QUADRETTO AVVIAMENTO	Zündschloß	Starter Switch	Clé	Llave De Aranque
	4	9901593	1	PULS. BASCUL. FRECCHE EMERGENZA	Schalter	Push Button	Intérrupteur	Interruptor
	5	9901594	1	PULS. BASCUL. FRIZ. ELETTRIC.	Schalter	Push Button	Intérrupteur	Interruptor
	5	9901592	1	CRUSCOTTINO (CHECK)	Abdeckung, Oben	Dash Board	Tableau De Bord	Cuadro
	6	9901755	1	CHECK PANNEL X IMPIANTO ECO	Anzeigentafel	Check Panel	Tableau	Panel De Control
	7	9901591	1	DEVIATORE FANALI FRECCHE	Blinkschalter	Trafficator Switch	Interrupteur Clignotant	Interruptor Ind Direccion
	8	9901683	1	CAVO PER POLO NEGATIVO	Kabel Minuspol	- Pole cable	Câble pôle -	Cable polo -
	9	9901754	1	CAVO PER POLO POSITIVO	Kabel Pluspol	+ Pole cable	Câble pôle +	Cable polo +
	10	9901249	1	BATTERIA 6F130P	Akku	Battery	Batterie	Acumulador
	11	9901306	1	TROMBA	Hupe	Horn	Avertisseur Sonore	Claxon
	12	9901753	2	CUFFIA DI PROT. X PROIETTORE	Kappe	Casing	Casque	Casquete
	13	9901751	2	LAMPADA X PROIETTORE 1° VERS.	Glühlampe	Bulb	Ampoule	Lampara
	13	9901752	2	LAMPADA X PROIETTORE 2° VERS.	Glühlampe	Bulb	Ampoule	Lampara
	14	9901573	2	PROIETTORE ELITTICO 1° VERS	Rückleuchte	Light	Feu	Farolito
	14	9901748	2	PROIETTORE ELITTICO 2° VERS	Rückleuchte	Light	Feu	Farolito
	15	9901308	1	INTERUTTORE DI STOP	Schalter	Switch	Intérrupteur	Interruptor
	16	9901582	1	KIT IMP. ELETTR. X MD190 + CRUSC.	Elektrischeanlage	Electric System	Installation Electrique	Instalacion Electrica
	16	9901711	1	KIT IMP.ELETTR. X MD 151 ECO	Elektrischeanlage	Electric System	Installation Electrique	Instalacion Electrica
	17	RR0073034	1	REGOLATORE	Harn	Cock	Robinet	Grifo
	18	9901309	1	INTERUTTORE CONSENSO AVV.	Schalter	Switch	Intérrupteur	Interruptor
	19	9901662	1	INDICATORE LIVELLO CARBURANTE	Schwimmer	Float	Flotteur	Flotador
	20	9901459	1	KIT 7 POLI X RIMORCHIO	Steckdose 7-Polig	Current Tap	Prise De Courant	Enchufe De Corriente
	21	9901467	2	CATADIOTRO POST. TERA TRAC	Rückstrahler	Reflector	Catadioptré	Catafaro



TERATRAC

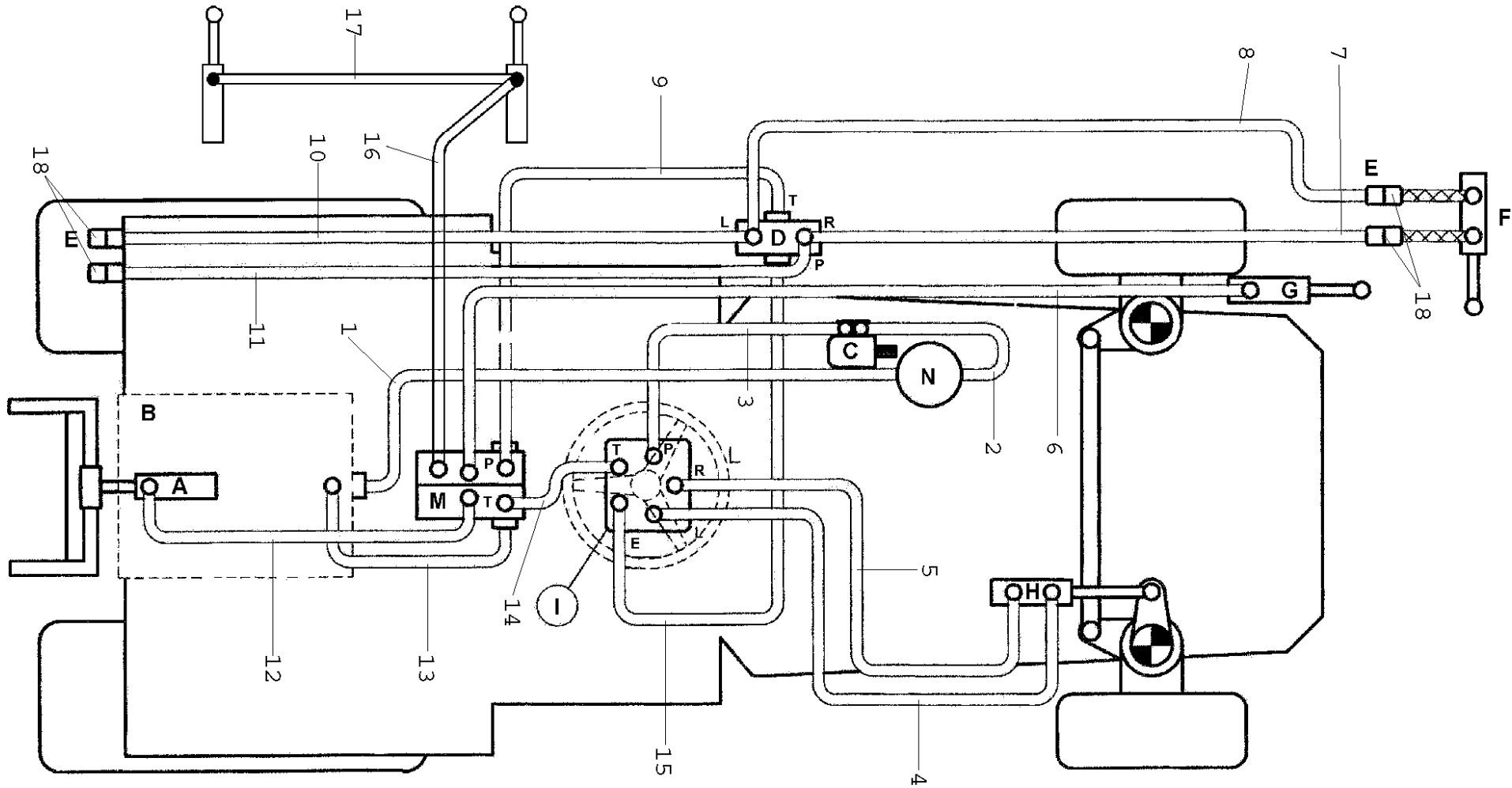
Tav. 03

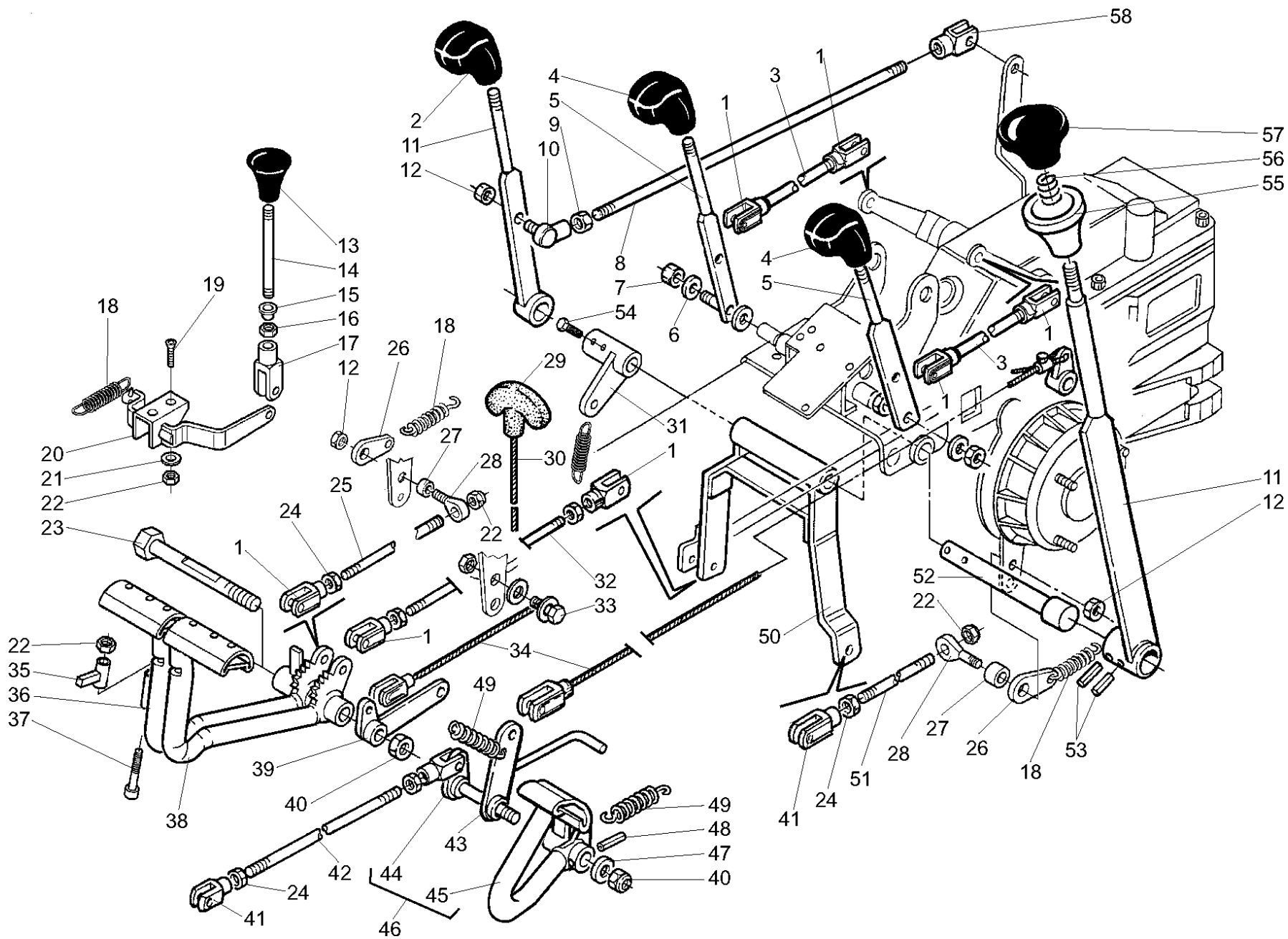
B0083

IMPIANTO IDRAULICO

Installation hydraulique - Hydraulikanlage - Hydraulic system - Instalación hidráulica

Rel. 0405







B0012

Comandes - Steuerungen - Controls - Mandos

Pos.	Code	N°						
Rel. 0405	1	9901429	7	FORCELLA FORO FIL. M 8 L=32 PASS.	Gabelstück	Fork	Fourche	Horquilla
	2	9901642	1	POMELLO ROSSO CAMBIO TERATRAC	Knopfgriff	Hand-Grip	Poignée	Mango
	3	5301698	2	ASTA FILETTATA L=137 PER LEVA MARCE	Verbindungsstange	Lever	Barre De Jonction	Barra
	4	9901425	2	POMELLO NERO CAMBIO TERATRAC	Knopfgriff	Hand-Grip	Poignée	Mango
	5	3702857	2	LEVA CAMBIO E L.V. TERATRAC-IDROTRAC	Hebel	Lever	Levier	Palanca
	6	9052007	4	ROSETTA PIANA M 12 PASS. UNI 6592	Scheibe 12Z	Washer	Rondelle	Arandela
	7	9023005	2	DADO AUTOBL.BASSO M 12 PASS. UNI 7474	Mutter	Nut	Ecrou	Tuerca
	8	3701888	1	TIRANTE PER LEVA PTO M10	Zugbolzen	Tie Rod	Tirant	Tirante
	9	9031105	1	DADO MEDIO M 10 PASS. UNI 5588	Mutter	Nut	Ecrou	Tuerca
	10	9901531	1	SNODO SFERICO M10-M10	Kugelgelenk	Articulation	Joint Dénoué	Articulacion Esferica
	11	3702559	2	LEVA INNESTO 4RM	Hebel	Lever	Levier	Palanca
	12	9024005	1	DADO AUTOBL.ALTO M 10 PASS. UNI 7473	Mutter	Nut	Ecrou	Tuerca
	13	9901655	1	POMELLO M 6 Ø 34	Knopfgriff	Hand-Grip	Poignée	Mango
	14	5301637	1	ASTA PER LEVA BLOCC. FRENO	Verbindungsstange	Lever	Barre De Jonction	Barra
	15	9901652	1	BOCCOLA MCM 06-03	Buchse	Bushing	Douille	Buje
	16	9031002	1	DADO BASSO M 6 PASS. UNI 5589	Mutter	Nut	Ecrou	Tuerca
	17	9901419	1	FORCELLA FORO FIL. M 6 L=12 PASS.	Gabelstück	Fork	Fourche	Horquilla
	18	7001578	4	MOLLA TENDICINGHIA	Zugfeder	Belt Stretcher	Ressort	Resorte
	19	9014101	2	VITE TBEI M 8 X 25 PASS. ISO 7380	Schraube	Screw	Vis	Tornillo
	20	5301553	1	LEVA FRENO STAZIONAMENTO IDROTRAC	Hebel	Lever	Levier	Palanca
	21	9052002	2	ROSETTA PIANA M 8 PASS. UNI 6592	Unterlegscheibe	Washer	Rondelle	Arandela
	22	9024002	4	DADO AUTOBL.ALTO M 8 PASS. UNI 7473	Mutter	Nut	Ecrou	Tuerca
	23	3701951	1	PERNO PORTA PEDALIERA	Zapfen	Pin	Pivot	Perno
	24	9031005	10	DADO BASSO M 8 PASS. UNI 5589	Mutter	Nut	Ecrou	Tuerca
	25	3701952	1	TIRANTE X FRENO DX L=450	Zugbolzen	Tie Rod	Tirant	Tirante
	26	1412077	2	LAMIERINO X SUPP. MOLLA FRENO	Blech	Support	Tôle	Chapa
	27	6803583	2	DISTANZIALE Ø 14 X 10,5 X 5	Distanzstück	Spacer	Entretoise	Separador
	28	1301048	2	TIRANTE AD OCCHIO	Augenschraube	Tie Rod	Tirant	Tirante
	29	9901648	1	MANIGLIA FRENO SOCCORSO	Knopf	Knob	Bouton	Pomo
	30	3702159	1	FILO PER FRENO EMERGENZA TERA TRAC	Bowdenzug	Wire	Transmission	Hilo



Commandes - Steuerungen - Controls - Mandos

B0012

Pos.	Code	N°						
Rel. 0405	31	3702481	1	LEVA PER INNESTO 4RM	Hebel	Lever	Levier	Palanca
	32	3701953	1	TIRANTE X FRENO SX L=322	Zugbolzen	Tie Rod	Tirant	Tirante
	33	1410120	1	MORSETTO M 10 X 20 PASS.	Klemme	Clamp	Griffe	Terminal
	34	3701552	2	FILO DIFFERENZIALE	Bowdenzug	Wire	Transmission	Hilo
	35	3702160	1	CHIAVISTELLO X FRENI SIMULTANEI	Stift	Latch	Goupille	Pasador
	36	3702065	1	PEDALE FRENO DX X TR ASS.	Pedalhebel	Pedal	Pedale	Pedal
	37	9012043	1	VITE TCEI M 8 X 70 PASS. UNI 5931	Schraube	Screw	Vis	Tornillo
	38	3702066	1	PEDALE FRENO SX X TR ASS.	Pedalhebel	Pedal	Pedale	Pedal
	39	3701959	1	LEVA FRENO EMERGENZA ASS.	Hebel	Lever	Levier	Palanca
	40	9024014	2	DADO AUTOBL.ALTO M 16X1,5 PASS. UNI 7473	Mutter	Nut	Ecrou	Tuerca
	41	0601044	3	FORCELLA FORO FIL. M 8 L=16 PASS.	Gabelstück	Fork	Fourche	Horquilla
	42	3701965	1	TIRANTE FRIZIONE	Zugbolzen	Tie Rod	Tirant	Tirante
	43	3701612	1	PEDALE BLOCC. DIFF.	Pedalhebel	Pedal	Pedale	Pedal
	44	-		NON FORNITO SINGOLARMENTE	Nicht Einzel lieferbar	Not Supplied Alone	Pas Vendus Tout Soul	Indisponible Suelto
	45	-		NON FORNITO SINGOLARMENTE	Nicht Einzel lieferbar	Not Supplied Alone	Pas Vendus Tout Soul	Indisponible Suelto
	46	3702064	1	PEDALE FRIZIONE X TR ASS.	Pedal	Pedal	Pedale	Pedal
	47	9052004	2	ROSETTA PIANA M 16 PASS. UNI 6592	Unterlegscheibe	Washer	Rondelle	Arandela
	48	9131004	2	SPINA SPIROL 6 X 30	Stift	Pin	Goupille	Pasador
	49	3701561	2	MOLLA RICHIAMO PEDALINA	Zugfeder	Spring	Ressort	Resorte
	50	5301922	1	LEVA X TIRANTE FRENI(X CAMB. CON ALL)ASS	Hebel	Lever	Levier	Palanca
	51	3701954	1	TIRANTE X FRENO SX CORTO L=75	Zugbolzen	Tie Rod	Tirant	Tirante
	52	3702482	1	PERNO PER LEVA INN. 4RM	Zapfen	Pin	Pivot	Perno
	53	9131007	2	SPINA SPIROL 6 X 36	Stift	Pin	Goupille	Pasador
	54	9011028	2	VITE TE M 6 X 30 PASS. UNI 5739 TF	Schraube	Screw	Vis	Tornillo
	55	3702021A	1	POMELLO PER INN.4RM E LEVA ALZA PIATTO	Griff	Hand-Grip	Poignée	Mango
	56	0004100	1	MOLLA SPERONE	Druckfeder	Spring	Ressort	Resorte
	57	9901215	1	POMELLO M 12 SFERICO IN BAKELITE	Knopfgriff	Hand-Grip	Poignée	Mango
	58	9901045	1	FORCELLA FORO FIL. M 10 L=20 PASS.	Gabelstück	Fork	Fourche	Horquilla



TERATRAC

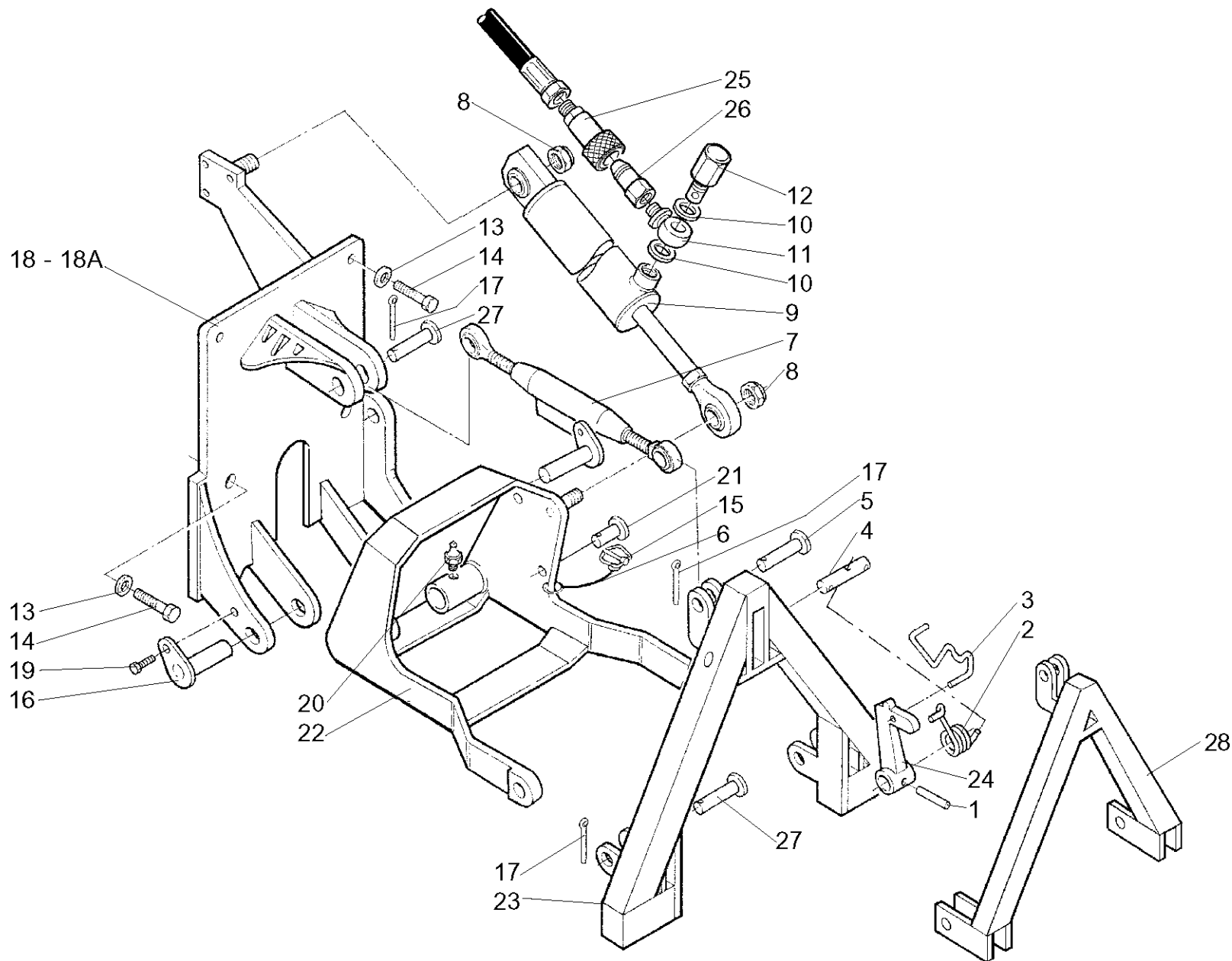
Tav. 05

B0089

SOLLEVATORE ANTERIORE

Relevage hydr. Anter. - Kraftheber vorne - Front hydr. Lift - Elevador hidr. Frontal

Rel. 0405



**Tav. 05****SOLLEVATORE ANTERIORE****Relevage hydr. Anter. - Kraftheber vorne - Front hydr. Lift - Elevador hidr. Frontal**

B0089

Pos. Code N°

Pos.	Code	N°						
Rel. 0405	1	9131002	1	SPINA SPIROL 4 X 24	Stift	Pin	Goupille	Pasador
	2	3702326	1	MOLLA A TORSIONE X SOLL. CAT.0	Feder	Spring	Ressort	Resorte
	3	3702327	1	MOLLA SBLOC. SOLL. TRIANGOLO CAT.0	Feder	Spring	Ressort	Resorte
	4	-		NON FORNITO SINGOLARMENTE	Nicht Einzel lieferbar	Not Supplied Alone	Pas Vendus Tout Soul	Indisponible Suelto
	5	3702344	2	PERNO Ø 16 L=72 TOT. X TRIANGOLO GUT.	Bolzen	Pin	Pivot	Perno
	6	9901674	1	TIRANTE IN GOMMA L= 240	Rundlitzenseil	Tie Rod	Tirant	Tirante
	7	3702277	1	TERZO PUNTO PER SOLL. ANT. A TRIANGOLO	Oberlenker	Thir Point	Troisième Point	Tensor Central
	8	9024004	2	DADO AUTOBL.ALTO M 14 PASS. UNI 7473	Mutter	Nut	Ecrou	Tuerca
	9	3702116B	1	PISTONE PER SOLL.A TRIANGOLO	Hydraulikzylinder	Hydraulic Cylinder	Cylindre Hydraulique	Cilindro Hidraulico
	10	9901490	3	RONDELLA IN RAME 3/8" Ø 17X23X1,5	Dichtring	Washer	Bague D'Étanchèité	Arandela
	11	9901734	1	OCCHIO FILETTATO 3/8" CON BATTUTA	Anschlußstück	Connector	Raccord	Racòr
	12	9901654	1	VALVOLA REGOLATRICE DI FLUSSO 3/8	Ventil	Valve	Soupape	Valvula
	13	9052008	4	ROSETTA PIANA M 14 PASS. UNI 6592	Unterlegscheibe	Washer	Rondelle	Arandela
	14	9011039	4	VITE TE M 14 X 40 PASS. UNI 5739 TF	Schraube	Screw	Vis	Tornillo
	15	9901424	1	SPINA A MOLLA Ø 5 PASS.	Federstecker	Pin	Goupille	Pasador
	16	3702713	2	PERNO PER SOLLEVATORE ANT. ASS.	Bolzen	Pin	Pivot	Perno
	17	9035007	4	COPIGLIA 4,5 X 40 PASS. UNI 1336	Splint	Pin	Goupille	Clavija
	18	5301691	1	PIASTRA SOLL. A TRIANGOLO VERS. H2O	Platte	Plate	Paque	Placa
	18A	3703162	1	PIASTRA SOLL. A TRIANGOLO VERS. ARIA	Platte	Plate	Paque	Placa
	19	9011002	2	VITE TE M 6 X 20 PASS. UNI 5739 TF	Schraube	Screw	Vis	Tornillo
	20	9036004	2	INGRASSATORE DRITTO M 6 X 1	Schmiernippel	Greaser	Graisser	Engrasador
	21	5301695	1	PERNO Ø 16 L=42 TOT. FERMO SOLL. ANT.	Steckbolzen	Pin	Cheville	Pasador
	22	5301692	1	BRACCIO SOLL. A TRIANG. 2RM IDRO ASS.	Unterlenker	Arm	Levier De Relevage	Brazo
	23	SL3702325	1	TRIANGOLO PORTA ATTREZZI	Dreieck	A-Coupling	Triangle	Triangulo
	24	3702328	1	AGGANCIO X SOL. TRIANGOLO GUT.	Hacken	Hook	Accrochage	Gancho
	25	9901650	1	ATTACCO RAPIDO 3/8 FEMMINA	Kupplungsmuffe	Connection	Accouplement	Ataque Rapido
	26	9901736	1	ATTACCO RAPIDO 3/8 MASCHIO	Anschluß	Connection	Accouplement	Conexion
	27	3702177	3	PERNO Ø16 L= 60 TOT X TIRANTE FISSO	Bolzen	Pin	Pivot	Perno
	27	3702276	1	TRIANGOLO PORTA ATTREZZI	Dreieck	A-Coupling	Triangle	Triangulo



TERATRAC

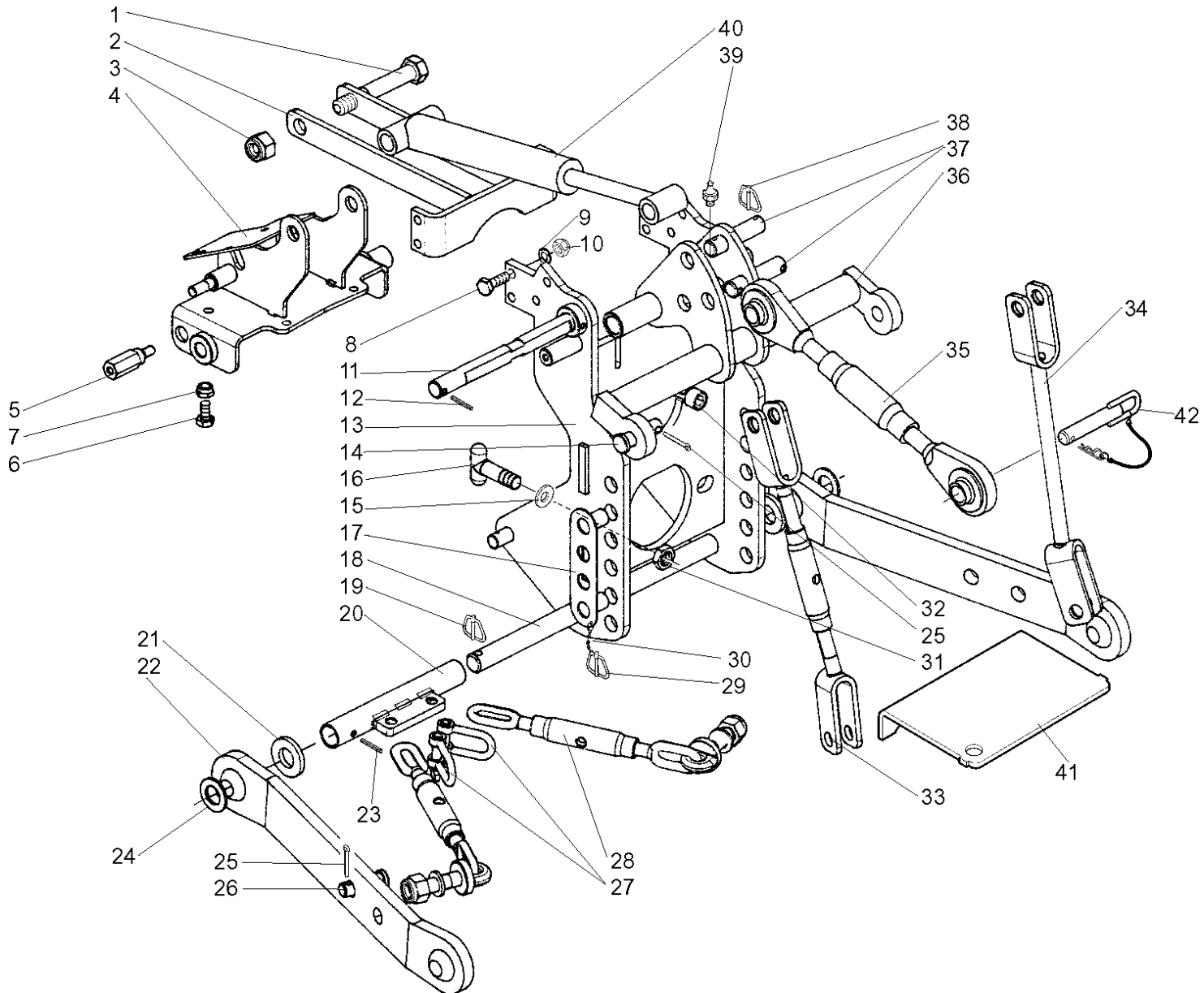
Tav. 06

B0020

SOLLEVATORE POSTERIORE

Relevage hydr. - Kraftheber hinten - Hydraulic Lift - Elevador hidráulico

Rel. 0405



**Tav. 06****SOLLEVATORE POSTERIORE**

1/2

B0020

Relevage hydr. - Kraftheber hinten - Hydraulic Lift - Elevador hidráulico

Pos.	Code	N°						
Rel. 0405	1	9011106	1	VITE TE M 18 X1,5X110 PASS. UNI 5738	Schraube	Screw	Vis	Tornillo
	2	3702679	1	BRETELLA SOLL. POSTERIORE	Quertraverse	Tie Rod	Tirant	Varilla
	3	9031006	1	DADO BASSO M 18 X 1,5 PASS. UNI 5589	Mutter	Nut	Ecrou	Tuerca
	4	3702709	1	SUPPORTO DISTRIBUTORE ASS.	Halterung	Support	Support	Soporte
	5	3702705	4	COLONNETTA ESAG. M10 L=37	Verlaengerungstueck	Extension	Rallonge	Extension
	6	9011015	3	VITE TE M 10 X 20 PASS. UNI 5739 TF	Schraube	Screw	Vis	Tornillo
	7	9023007	3	DADO AUTOBL.BASSO M 10 PASS. UNI 7474	Mutter	Nut	Ecrou	Tuerca
	8	9011021	4	VITE TE M 10 X 35 PASS. UNI 5739 TF	Schraube	Screw	Vis	Tornillo
	9	9052001	8	ROSETTA PIANA M 10 PASS. UNI 6592	Unterlegscheibe	Washer	Rondelle	Arandela
	10	9024005	4	DADO AUTOBL.ALTO M 10 PASS. UNI 7473	Mutter	Nut	Ecrou	Tuerca
	11	3702685	1	PERNO SOLLEVATORE L=244	Bolzen	Pin	Pivot	Perno
	12	9131017	1	SPINA SPIROL 5 X 40 UNI 6873	Federstecker	Pin	Goupille	Pasador
	13	5301693	1	PIASTRA POST. PER SOLLEVATORE ASS.	Plette	Plate	Paque	Placa
	14	3702177	2	PERNO Ø 16 L=60 TOT. X TIRANTE FISSO	Bolzen	Pin	Pivot	Perno
	15	9052004	2	ROSETTA PIANA M 16 PASS. UNI 6592	Unterlegscheibe	Washer	Rondelle	Arandela
	16	5301722	2	TIRANTE PIASTRA SOLLEVATORE	Zugbolzen	Tie Rod	Tirant	Tirante
	17	5301730	2	SPINOTTO DOPPIO PER PIASTRA POST. ASS.	Steckbolzen	Pin	Goupille	Pasador
	18	3702684	1	PERNO PORTA PARALLELE L=340	Bolzen	Pin	Pivot	Perno
	19	9901214	10	SPINA A MOLLA Ø 8 PASS.	Federstecker	Pin	Goupille	Pasador
	20	5301702	1	ATTACCO TIRANTERIA SOLL. POST.	Heckaushebung Anschluß	Connection	Connection	Conexion
	21	9901739	2	ROSETTA PIANA Ø 23 R80 DIN 6340 PASS.	Unterlegscheibe	Washer	Rondelle	Arandela
	22	3702126	2	PARALLELA PER SOLL. 3 PUNTI	Auslager	Parallele	Bras	Brazo
	23	9131015	1	SPINA SPIROL 5 X 30	Stift	Pin	Goupille	Pasador
	24	9042005	2	ROSETTA PIANA M 22 PASS. UNI 6592	Unterlegscheibe	Washer	Rondelle	Arandela
	25	9035019	4	COPIGLIA 5 X 45 PASS. UNI 1336	Splint	Pin	Goupille	Clavija
	26	3702180	2	PERNO Ø 16 L=54 TOT. X ATTACCO 3 PUNTI	Bolzen	Pin	Pivot	Perno
	27	9901737	2	GRILLO DRITTO CON PERNO M 10 PASS.	Schäkel	Shackles	Cavalier	Sujetador
	28	5301703	2	TENDITORE M 14 ASS.	Zugbolzen	Stretcher	Tirant	Tirante
	29	9901101	4	COPIGLIA Ø 4 A 'R' PASS.	Federstecker	Pin	Goupille	Clavija
	30	9901674	4	TIRANTE IN GOMMA L= 240	Rundlitzenseil	Tie Rod	Tirant	Tirante



TERATRAC

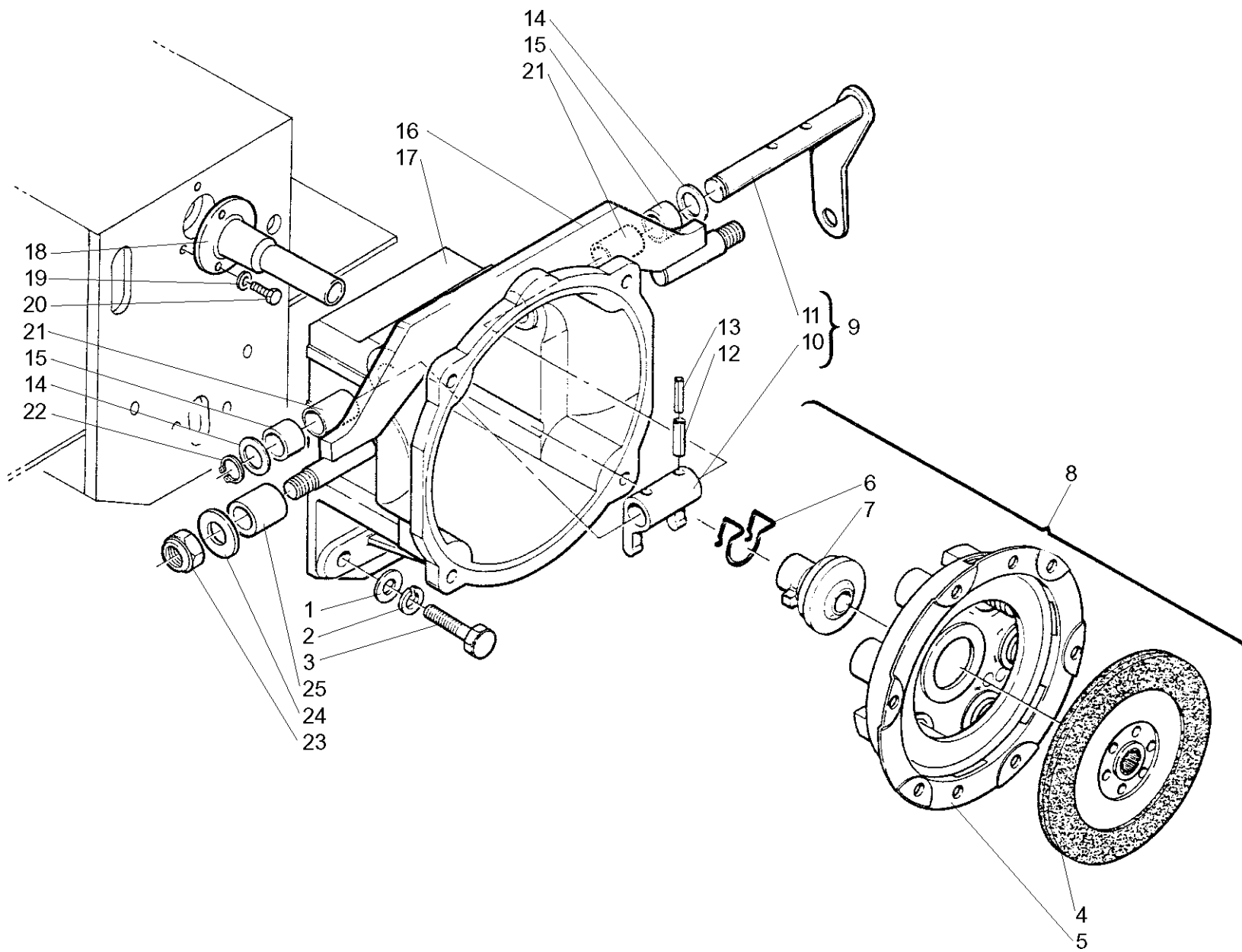
Tav. 07

B0019

FRIZIONE

Embrayage - Kupplung - Clutch - Embrague

Rel. 0405



**Tav. 07**

B0019

FRIZIONE**Embrayage - Kupplung - Clutch - Embrague**

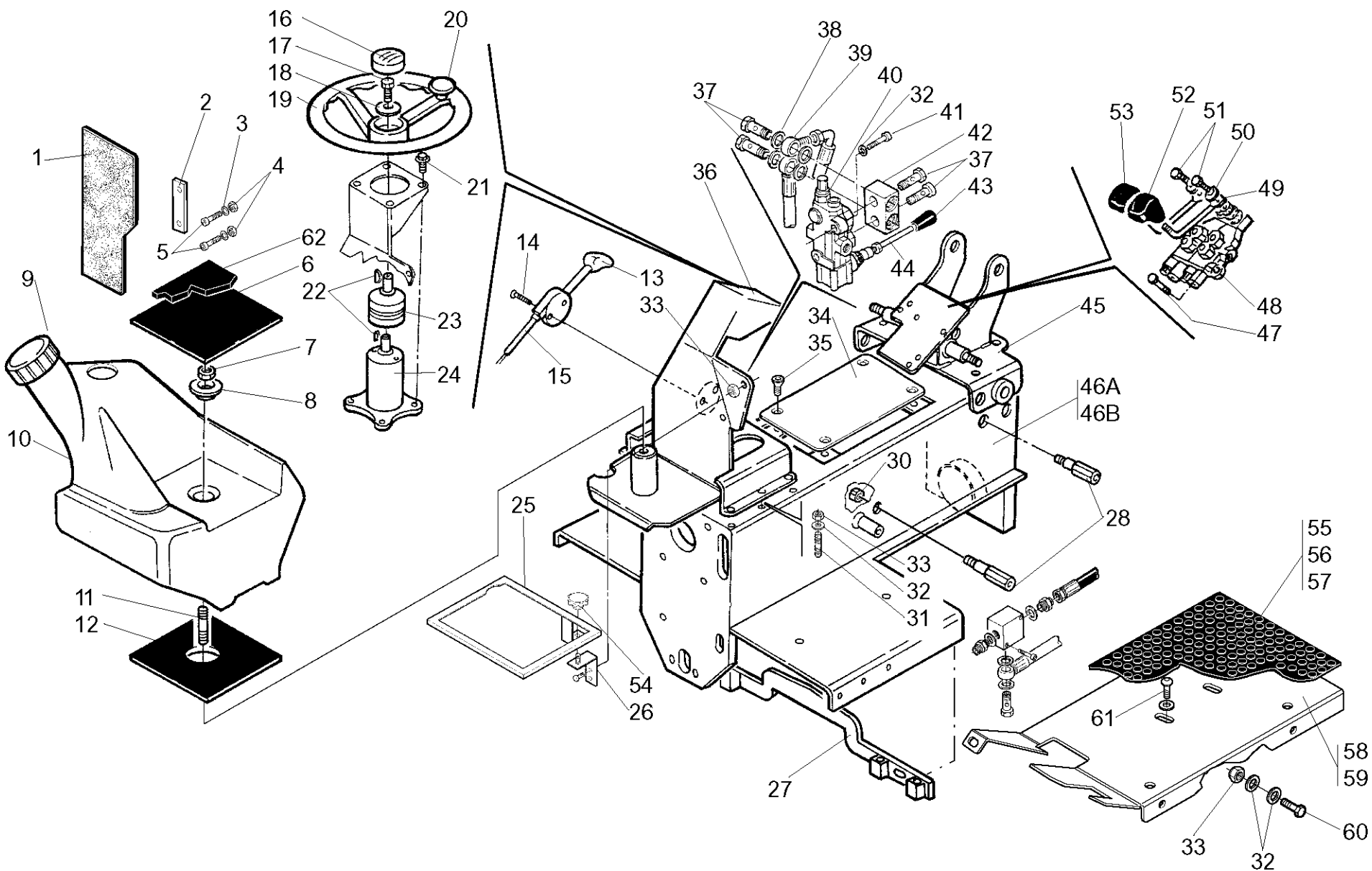
Rel. 0405	Pos.	Code	N°					
	1	9042008	6	ROSETTA PIANA M 12 NERA UNI 6592	Unterlegscheibe	Washer	Rondelle	Arandela
	2	9041004	6	ROSETTA GROWER Ø 12 N UNI 1751	Unterlegscheibe	Washer	Rondelle	Arandela
	3	9001036	6	VITE TE M 12 X 45 N	Schraube	Screw	Vis	Tornillo
	4	4407474	1	DISCO FRIZIONE	Kupplungsscheibe	Disc -Clutch	Disque D'Embrayage	Disque De Embrague
	5	2020018	1	ANELLO SPINGIDISCO	Kupplung	Ring	Embrayage	Embrague
	6	1401673	1	MOLLA PER MANICOTTO FRIZ. 14 HP	Feder	Spring	Ressort	Resorte
	7	1401672	1	MANICOTTO SPINGIDISCO ASS	Kupplungslager	Coupling	Manchon	Manguito
	8	2867475	1	FRIZIONE ASSIEME	Kupplung	Clutch	Embrayage	Embrague
	9	3701515	1	LEVA FRIZIONE TERATRAC ASS.	Hebel	Lever	Levier	Palanca
	10	-		NON FORNITO SINGOLARMENTE	Nicht Einzeln Lieferbar	Not Supplied Alone	Pas Vendus Tout Soul	Indisponible Suelto
	11	-		NON FORNITO SINGOLARMENTE	Nicht Einzeln Lieferbar	Not Supplied Alone	Pas Vendus Tout Soul	Indisponible Suelto
	12	9131006	2	SPINA SPIROL 6 X 24	Stift	Pin	Goupille	Pasador
	13	9131002	2	SPINA SPIROL 4 X 24	Stift	Pin	Goupille	Pasador
	14	8900075	2	RASAMENTO 18,1-27,9-0,6	Ring	Ring	Bague	Anillo
	15	1401569	2	BOCCOLA SINT. 18-23-12	Buchse	Bushing	Douille	Buje
	16	3702686	1	SUPPORTO PISTONI SOLL. RASAERBA ASS.	Halterung	Support	Support	Soporte
	17	1401502B	1	FLANGIA MOTORE IN GHISA PER TERATRAC	Flansch	Flange	Bride	Brida
	18	1401536	1	MANICOTTO FRIZIONE 14 HP	Muffe	Coupling	Manchon	Manguito
	19	9043003	3	ROSETTA SCHONOR Ø 6 PASS.	Unterlegscheibe	Washer	Rondelle	Arandela
	20	9001003	3	VITE TE M 6 X 20 N UNI 5739 TF	Schraube	Screw	Vis	Tornillo
	21	1401641	2	DISTANZIALE L=32,5	Distanzstück	Spacer	Entretoise	Separador
	22	9059014	1	ANELLO SEEGER Ø 18 E DIN 471	Sicherungsring	Lock Ring	Bague D'Arret	Arandela De Freno
	23	9024004	2	DADO AUTOBL.ALTO M 14 PASS. UNI 7473	Mutter	Nut	Ecrou	Tuerca
	24	9052008	2	ROSETTA PIANA M 14 PASS. UNI 6592	Unterlegscheibe	Washer	Rondelle	Arandela
	25	3702682	3	DISTANZIALE PER PISTONE SOLL. RAS.	Distanzstück	Spacer	Entretoise	Separador



TELAIO

Chassis - Fahrgestell - Frame - Bastidor

Rel. 0405





B0090

Chassis - Fahrgestell - Frame - Bastidor

Pos.	Code	N°						
Rel. 0405	1	5301663	1	PROTEZIONE CALORE FIANCATA	Warmschutz	Schild	Protection	Proteccion
	2	5301654	1	LAMA FISS. PROTEZIONE CALORE L=140	Blech	Swaged	Tôle	Chapa
	3	9052012	2	ROSETTA PIANA M 5 PASS. UNI 6592	Unterlegscheibe	Washer	Rondelle	Arandela
	4	9024006	2	DADO AUTOBL.ALTO M 5 PASS. UNI 7473	Mutter	Nut	Ecrou	Tuerca
	5	9011081	2	VITE TE M 5 X 16 PASS. UNI 5739 TF	Schraube	Screw	Vis	Tornillo
	6	3702172	1	GOMMA BASE BATTERIA TR	Gummiplatte	Rubber	Caoutchouc	Goma
	7	9023007	1	DADO AUTOBL.BASSO M 10 PASS. UNI 7474	Mutter	Nut	Ecrou	Tuerca
	8	3701944	1	ROSETTA FISS. SERBATOIO IN NYLON	Unterlegscheibe	Washer	Rondelle	Arandela
	9	9901675	1	TAPPO SERBATOIO LT 12	Tankdeckel	Cap	Bouchon	Tapòn
	10	3701868	1	SERBATOIO TERA TRAC LT. 12	Tank	Fuel Tank	Reservoir	Deposito
	11	9040017	1	PRIGIONIERO M 10 X 30 PASS.	Stiftschraube	Stud Bolt	Prisonnier	Esparrago
	12	3702475	1	GOMMA BASE SERBATOIO NT	Gummiplatte	Rubber	Caoutchouc	Goma
	13	9901670	1	ACCELERATORE SX GAMBO CORTO INOX	Gashebel	Wire	Levier D'Gaz	Palanquita Del Gas
	14	9013012	2	VITE TSEI M 6 X 16 PASS. UNI 5933	Schraube	Screw	Vis	Tornillo
	15	3701784	1	TRASM. ACCEL. TERATRAC ASS.	Bowdenzug	Wire	Transmission	Cable
	16	9901676	1	TAPPO VOLANTE Ø320 CONO DANFOSS	Deckel	Cap	Couvercle	Tapa
	17	9011079	1	VITE TE M 8 X 85 PASS. UNI 5737	Schraube	Screw	Vis	Tornillo
	18	9052010	1	ROSETTA PIANA M 8 X 24 PASS.	Unterlegscheibe	Washer	Rondelle	Arandela
	19	9901599	1	VOLANTE Ø 320 CONO DANFOSS	Lenkrad	Steering Wheel	Volant	Volante
	20	9901677	1	POMELLO VOLANTE Ø320 CONO DANFOSS	Knopfgriff	Hand-Grip	Poignée	Mango
	21	9012007	4	VITE TCEI M 8 X 16 PASS. UNI 5931	Schraube	Screw	Vis	Tornillo
	22	9018003	2	LINGUETTA 5 X 6,5 X 15 AM	Scheibenfeder	Feather Key	Languette	Chaveta
	23	3702558	1	PROLUNGA IDROGUIDA	Lenkverlängerung	Extension	Prolongation	Prolungacion
	24	3702380	1	UNITÀ DI GUIDA 150 L 0149	Lenkeinheit	Direction Unit	Direction Unitè	Direccion Idraulica
	25	5301848	1	TELAIO FERMA BATTERIA DA 45A	Rahmen	Support	Support	Soporte
	26	5301847	1	SUPP. PER TELAIO FERMA BATTERIA 45A	Halterung	Support	Support	Soporte
	27	3702687	1	SUPPORTO RASAERBA ASS.	Halterung	Support	Support	Soporte
	28	3702705	4	COLONNETTA ESAG. M10 L=37	Verlaengerungsstueck	Extension	Colonnette	Distanciador
	30	9024005	4	DADO AUTOBL.ALTO M 10 PASS. UNI 7473	Mutter	Nut	Ecrou	Tuerca
	31	9040006	6	PRIGIONIERO M 8 X 16 PASS.	Stiftschraube	Stud Bolt	Prisonnier	Esparrago



Chassis - Fahrgestell - Frame - Bastidor

B0090

Pos.	Code	N°						
Rel. 0405	32	9052002	6	ROSETTA PIANA M 8 PASS. UNI 6592	Unterlegscheibe	Washer	Rondelle	Arandela
	33	9023001	6	DADO AUTOBL.BASSO M 8 PASS. UNI 7474	Mutter	Nut	Ecrou	Tuerca
	34	5301649A	1	LAMIERA DI CHIUSURA A 4 FORI TUNNEL TR	Blech	Plate	Tôle	Chapa
	35	9014102	6	VITE TBEI M 6 X 16 PASS. ISO 7380	Schraube	Screw	Vis	Tornillo
	36	3702425	1	SUPP. IDROGUIDA E SERBATOIO	Halterung	Support	Support	Soporte
	37	9901489	6	VITE FORATA 3/8"	Verschraubung	Screw	Vis	Tornillo
	38	9901490	12	RONDELLA IN RAME 3/8" Ø 17X23X1,5	Dichtring	Washer	Bague D'Étanchèité	Arandela
	39	9901475	2	OCCHIO FILETTATO 3/8"	Anschlußstück	Connector	Raccord	Racòr
	40	3701899	1	DISTRIBUTORE DOPPIO EFFETTO X DX/SX	Steuerschieber	Spacer	Robinet-Vanne	Distribuidor
	41	9012037	2	VITE TCEI M 8 X 30 PASS. UNI 5931	Schraube	Screw	Vis	Tornillo
	42	5301585	1	BLOCCHETTO A 6 VIE PER DISTR. AUS.	Anschlußstück	Block	Raccord	Racòr
	43	9901236	1	POMELLO Ø 8 IN PVC L=37	Knopfgriff	Hand-Grip	Poignée	Mango
	44	5301562	1	ASTA COMANDO DISTRIBUTORE	Schalthebel	Shift Lever	Levier	Palanca
	45	3702709	1	SUPPORTO DISTRIBUTORE ASS.	Halterung	Support	Support	Soporte
	46	5301529	1	TUNNEL ASSIEME 4RM 37-53	Körper (Für 1700Da)	Body	Corps	Cuerpo
	46	3702450	1	TUNNEL ASSIEME 2RM	Körper (Für 1700D)	Body	Corps	Cuerpo
	47	9011041	2	VITE TE M 6 X 45 PASS. UNI 5737	Schraube	Screw	Vis	Tornillo
	48	9901495	1	DISTRIBUTORE BM20 A 2 VIE	Steuerschieber	Distributor	Robinet-Vanne	Distribuidor
	49	3701545	2	LEVA CAMBIO DISTRIBUTORE	Hebel	Lever	Levier	Palanca
	50	9051003	2	ROSETTA GROWER M 8 PASS. UNI 1751	Unterlegscheibe	Washer	Rondelle	Arandela
	51	9011003	2	VITE TE M 8 X 25 PASS.	Schraube	Screw	Vis	Tornillo
	52	9901641	1	POMELLO ROSSO X DISTRIBUTORE	Knopfgriff	Hand-Grip	Poignée	Mango
	53	9901428	1	POMELLO X DISTRIBUTORE RT	Knopfgriff	Hand-Grip	Poignée	Mango
	54	9901747	1	POMELLO M 6 A VOLANTINO	Knopfgriff	Hand-Grip	Poignée	Mango
	55	5301645	1	PEDANA IN GOMMA DX X HYDROTRAC	Fußbrett Rechts Hydro	Carpet	Tapis	Alfonbrilla
	56	3701631	1	PEDANA IN GOMMA DX X TR	Fußbrett Rechts	Carpet	Tapis	Alfonbrilla
	57	3701632	1	PEDANA IN GOMMA SX X TR-IDROTRAC	Fußbrett Links	Carpet	Tapis	Alfonbrilla
	58	5301756	1	PEDANA DX PER CABINA ASS.	Fußbrett	Footboard	Repose-Pied	Estribo
	59	5301759	1	PEDANA SX PER CABINA ASS.	Fußbrett	Footboard	Repose-Pied	Estribo
	60	9011005	4	VITE TE M 8 X 20 PASS. UNI 5739 TF	Schraube	Screw	Vis	Tornillo



TERATRAC

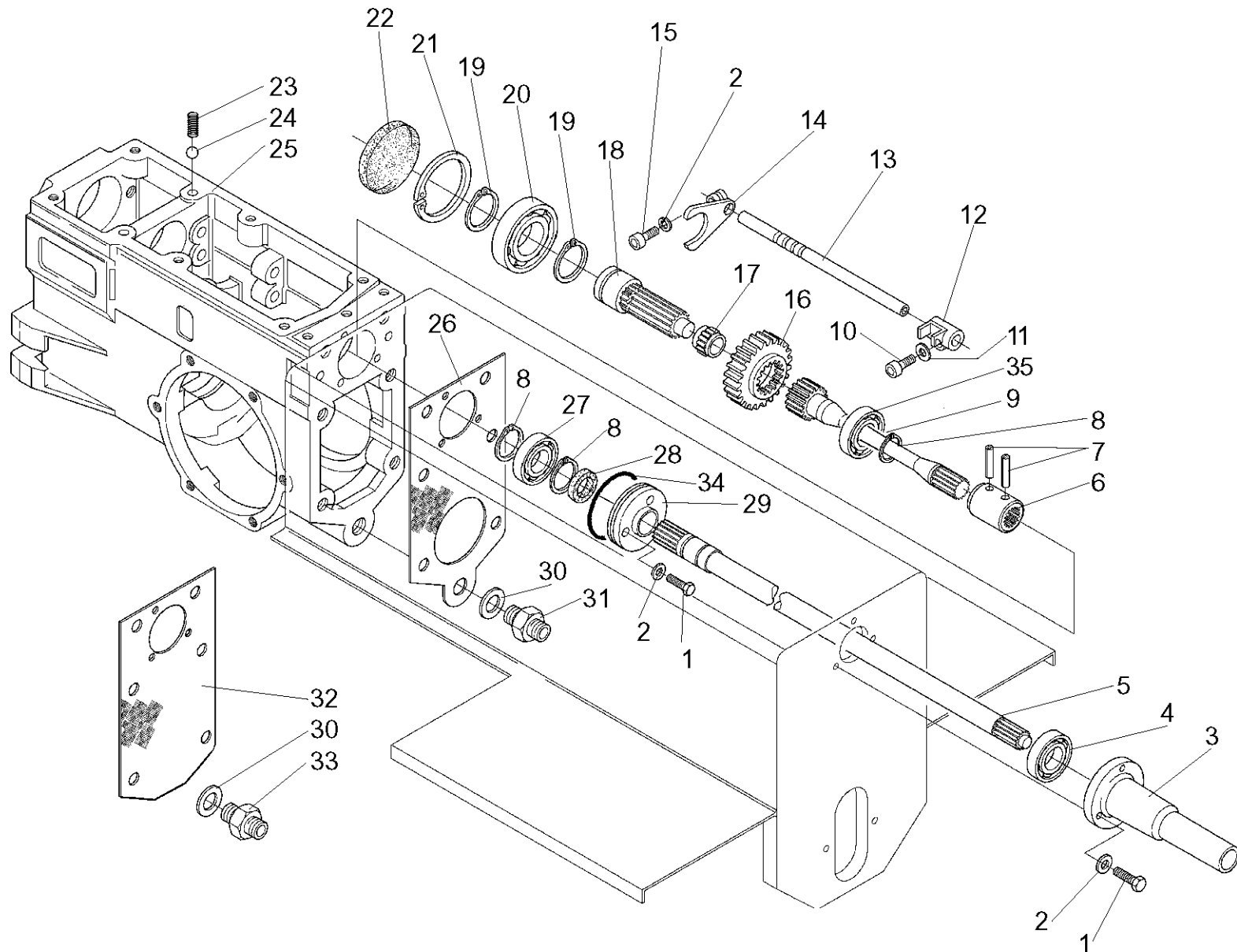
Tav. 09

B0014

TRASMISSIONE

Transmission - Triebwerk - Transmission - Grupo de transmision

Rel. 0405



**Tav. 09****TRASMISSIONE**

2/2

B0014

Transmission - Triebwerk - Transmission - Grupo de transmision

Rel. 0405	Pos.	Code	N°					
	1	9011002	3	VITE TE M 6 X 20 PASS. UNI 5739 TF	Schraube	Screw	Vis	Tornillo
	2	9043003	3	ROSETTA SCHONOR Ø 6 PASS.	Unterlegscheibe	Washer	Rondelle	Arandela
	3	1401536	1	MANICOTTO FRIZIONE 14 HP	Muffe	Coupling	Manchon	Manguito
	4	9102007	1	CUSC.A SFERE 6004 2RS	Kugellager	Bearing	Roulement	Cojinete
	5	3701517	1	ALBERO TRASMISSIONE TERATRAC	Welle	Shaft	Arbre	Arbol
	6	1401508	1	MANICOTTO DI GIUNZIONE	Muffe	Coupling	Manchon	Manguito
	7	9131015	2	SPINA SPIROL 5 X 30	Stift	Pin	Goupille	Pasador
	8	9059001	3	ANELLO SEEGER Ø 20 E DIN 471	Sicherungsring	Lock Ring	Bague D'Arret	Arandela De Freno
	9	1401510	1	ALBERO CON INGRANAGGIO	Welle	Shaft	Arbre	Arbol
	10	9002024	1	VITE TCEI M 8 X 16 N UNI 5931	Schraube	Screw	Vis	Tornillo
	11	9043001	1	ROSETTA SCHONOR Ø 8 NERA	Scheibe 8	Washer	Rondelle	Arandela
	12	1401550	1	GUIDA ASTA MARCE	Führung	Guide	Guide	Guia
	13	1401533	1	ASTA SELETTORE CAMBIO	Verbindungsstange	Shift Lever	Barre De Jonction	Barra
	14	1401538	1	FORCELLA MARCE	Gabelstück	Fork	Fourche	Horquilla
	15	9002021	1	VITE TCEI M 6 X 16 N UNI 5931	Schraube	Screw	Vis	Tornillo
	16	1401512	1	INGRANAGGIO COMANDO VEL.	Zahnrad	Cogged Wheel	Roue Dentée	Engranaje
	17	9106006	1	GABBIA RULLINI K 14-18-13	Rollenkäfig	Needle Bearing	Cage À Roulements	Jaula De Agujas
	18	3702217A	1	ALBERO PTO SUPERIORE TERATRAC	Zapfwelle	P.T.O. Shaft	Arbre	Toma De Fuerza
	19	9059010	2	ANELLO SEEGER Ø 30 E DIN 471	Sicherungsring	Lock Ring	Bague D'Arret	Arandela De Freno
	20	9101013	1	CUSC.A SFERE 6206	Kugellager	Bearing	Roulement	Cojinete
	21	9058008	1	ANELLO SEEGER Ø 62 I DIN 472	Sicherungsring	Lock Ring	Bague D'Arret	Arandela De Freno
	22	9113002	1	CAPPELOTTO 62- 7	Schutzkappe 22-4	Head Cap	Bouchon	Tapon
	23	1401729	1	MOLLA CAMBIO E RIDUTTORE L=39	Feder	Spring	Ressort	Resorte
	24	9120010	1	SFERA 5/16 Ø 7,938	Kugel	Ball	Sphere	Bola
	25	3702796	1	CARTER CAMBIO TERATRAC RINFORZATO	Gehäuse	Gearbox	Carter	Caja
	26	3702446	1	GUARNIZIONE CAMBIO 4RM	Dichtung	Gasket	Joint	Junta
	27	9102025	1	CUSC.A SFERE 63004 2RS	Kugellager	Bearing	Roulement	Cojinete
	28	9111061	1	ANELLO TENUTA 20-35-6	Dichtring	Check Ring	Bague D'Étanchèité	Anillo Reten
	29	1401572	1	MANICOTTO FRIZIONE 10 HP	Muffe	Coupling	Manchon	Manguito
	30	9901598	1	RONDELLA IN RAME 1/2" Ø 21X27X1,5	Dichtring	Washer	Bague D'Étanchèité	Arandela



TERATRAC

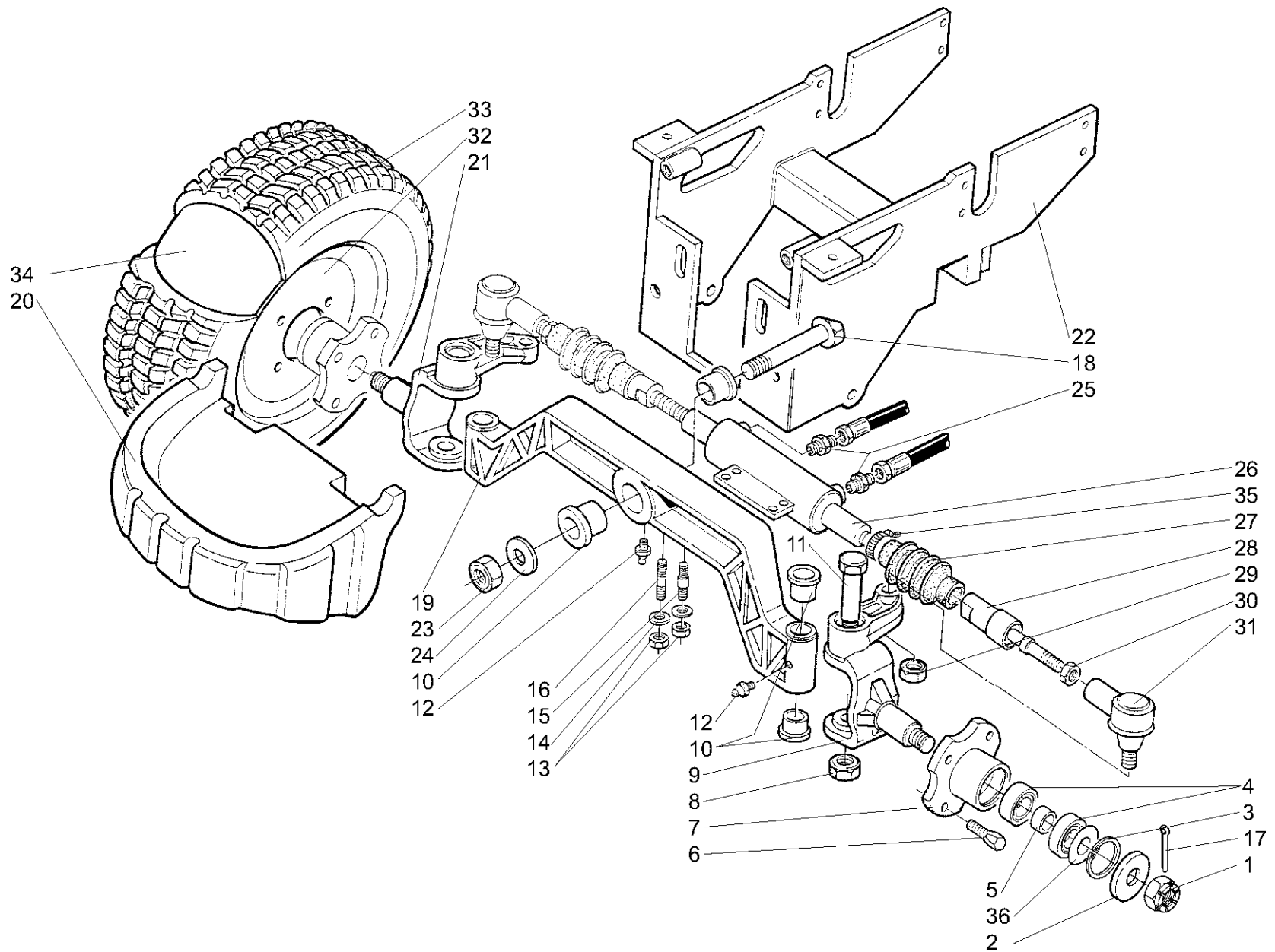
Tav. 10

B0018

PONTE ANTERIORE 2RM

Essieu avant - Vorderachse - Front axle - Eje delantero

Rel. 0405





B0018

Essieu avant - Vorderachse - Front axle - Eje delantero

Pos.	Code	N°						
Rel. 0405	1	9901069	2	DADO INTAGLI M 16 BASSO PASS. UNI5594	Mutter	Nut	Ecrou	Tuerca
	2	3702571	2	ROSETTA TIRAGGIO FUSELLO RUOTE	Unterlegscheibe	Washer	Rondelle	Arandela
	3	9058003	2	ANELLO SEEGER Ø 47 I DIN 472	Sicherungsring	Lock Ring	Bague D'Arret	Arandela De Freno
	4	9102008	4	CUSC.A SFERE 6005 2RS	Kugellager	Bearing	Roulement	Cojinete
	5	3701616	2	DISTANZIALE X CUSC. FUSELLI	Distanzstück	Spacer	Entretoise	Separador
	6	9901786	8	VITE CONICA A 60° TE M 12 X 24	Schraube	Screw	Vis	Tornillo
	7	3701504	2	MOZZO RUOTA ANTERIORE	Nabe	Hub	Moyeu	Cubo
	8	9024014	2	DADO AUTOBL.ALTO M 16X1,5 PASS. UNI 7473	Mutter	Nut	Ecrou	Tuerca
	9	3702572	1	FUSELLO DX X IDROGUIDA ASS.	Lenkschenkel	Swivel Pin	Pivot De Fusée	Pivote De La Dirección
	10	3701820	6	BRONZINA PONTE 2RM	Bronzelager	Bushing	Coussinet En Bronze	Casquillo De Bronze
	11	3702567	2	PERNO FUSELLO RUOTE 2RM HS	Zapfen	Pin	Pivot	Perno
	12	9036004	3	INGRASSATORE DRITTO M 6 X 1	Schmiernippel	Greaser	Graisneur	Engrasador
	13	9024002	4	DADO AUTOBL.ALTO M 8 PASS. UNI 7473	Mutter	Nut	Ecrou	Tuerca
	14	9052002	4	ROSETTA PIANA M 8 PASS. UNI 6592	Unterlegscheibe	Washer	Rondelle	Arandela
	15	3702445	2	PRIGIONIERO DI CENTR. PIASTRA FUSELLO	Stiftschraube	Stud Bolt	Prisonnier	Esparrago
	16	9040030	2	PRIGIONIERO M 8 X 22 PASS.	Stiftschraube	Stud Bolt	Prisonnier	Esparrago
	17	9035001	2	COPIGLIA 4 X 30 PASS. UNI 1336	Splint	Pin	Goupille	Clavija
	18	5301772	1	VITE PER PONTE ANTERIORE HAKO 2RM	Schraube	Screw	Vis	Tornillo
	19	3702577	1	PONTE 2RM LARGO PER IDROTAC	Vorderachse	Frontaxle	Pont Antérieure	Puente Adelantero
	20	3701555	1	CONTRAPPESO ANTER. TERATRAC	Frontgewicht	Balance Weight	Masselotte	Contrappeso
	21	3702573	1	FUSELLO SX X IDROGUIDA ASS.	Lenkschenkel	Swivel Pin	Pivot De Fusée	Pivote De La Dirección
	22	3701783	1	PARAURTI 2RM LDW 602-702 -ASS.	Stoßdämpfer	Bumper	Pare-Chocs	Parachoques
	23	9024008	1	DADO AUTOBL.ALTO M 18X1,5 PASS.	UNI7473	Mutter	Nut	Ecrou Tuerca
	24	9044105	1	MOLLA A TAZZA Ø 20 NERA DIN 2093	Tellerfeder	Spring	Ressort	Resorte De Disco
	25	9901559	2	NIPLES DI GIUNZIONE 1/4"	Nippel	Nipple	Nipple	Niplo
	26	3702447B	1	PISTONE STERZO 2RM STELO RINF.	Lenkyliner N/A	Hydraulic Cylinder	Cylindre Hydraulique	Cilindro Hidraulico
	27	9901680	2	CUFFIA PROTEZIONE SNODO ASSIALE	Gummibalg	Dust Cap	Capuchon Cache Poussiere	Capuchon Guarda Polvo
	28	9901614	2	SNODO ASSIALE	Kugelgelenk	Articulation	Joint Dénoué	Articulacion Esferica
	29	9024005	2	DADO AUTOBL.ALTO M 10 PASS. UNI 7473	Mutter	Nut	Ecrou	Tuerca
	30	9031008	2	DADO BASSO M 14 X 1 PASS.	Mutter	Nut	Ecrou	Tuerca



TERATRAC

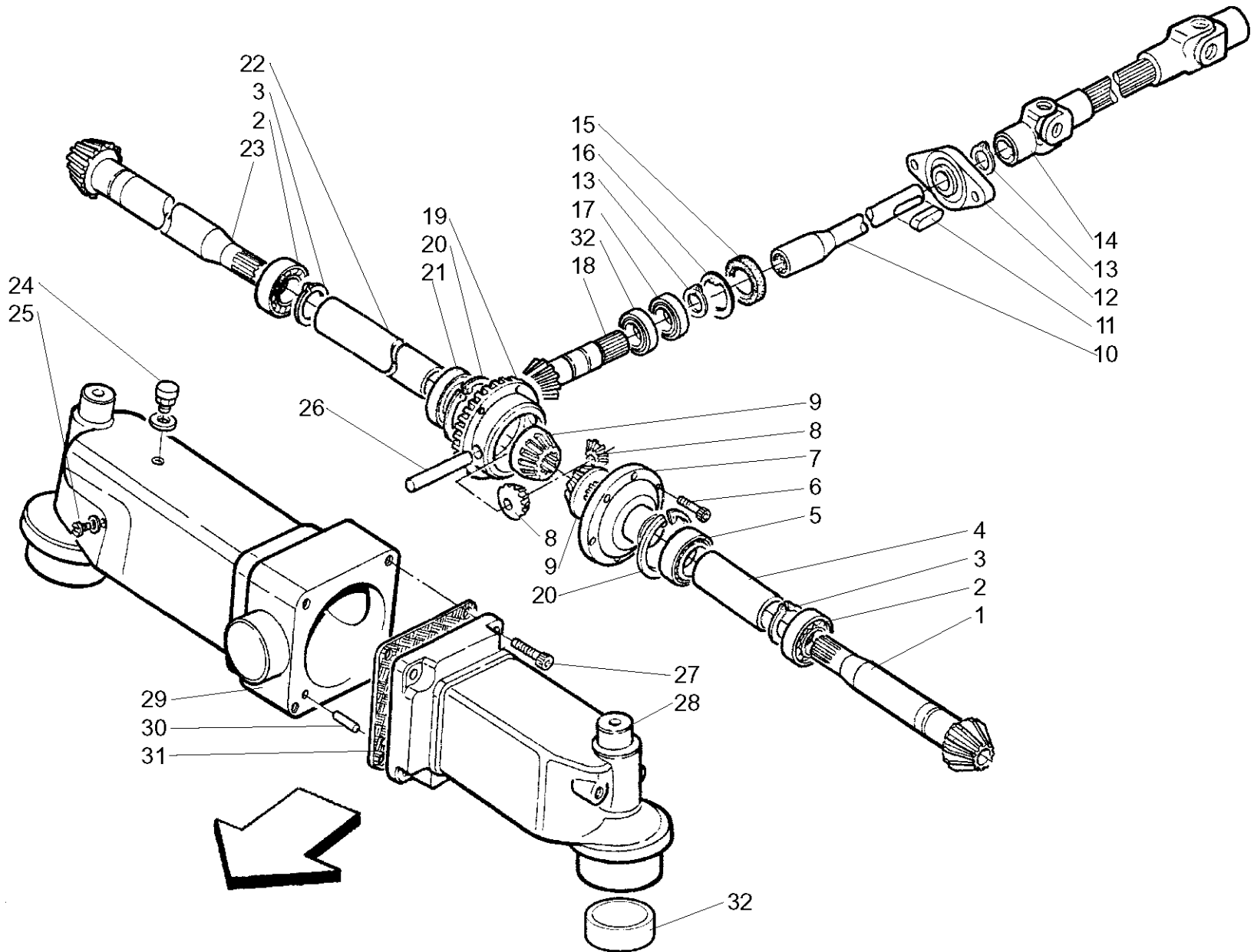
Tav. 11

B0010

PONTE ANTERIONE 4RM

Essieu avant - Antriebvorderachse - Drive front axle - Eje delantero

Rel. 0405





Essieu avant - Antriebvorderachse - Drive front axle - Eje delantero

B0010

Pos. Code N°

Pos.	Code	N°						
Rel. 0405	1	3701851	1	SEMIASSE CORTO PONTE ANT.	Achswelle	Axle-Shaft	Demi-Essieu	Semieje
	2	9101013	2	CUSC.A SFERE 6206	Kugellager	Bearing	Roulement	Cojinete
	3	9059010	2	ANELLO SEEGER Ø 30 E DIN 471	Sicherungsring	Lock Ring	Bague D'Arret	Arandela De Freno
	4	3702118	1	DISTANZIALE X SEMIASSE CORTO PONTE DX/SX	Distanzstück	Spacer	Entretoise	Separador
	5	9101009	1	CUSC.A SFERE 6207	Kugellager	Bearing	Roulement	Cojinete
	6	9001110	6	VITE TE M 8 X 35 N 10K UNI 5737	Schraube	Screw	Vis	Tornillo
	7	3702015	1	COPERCHIO DIF. PONTE ANT	Deckel	Cover	Couvercle	Tapa
	8	1401525	2	SATELLITE	Kegelrad	Cogged Wheel	Roue Conique	Pinon Satellite
	9	1401526	2	PLANETARIO	Kegelrad	Cogged Wheel	Roue Conique	Pinon Satellite
	10	3702109	1	ALBERO TRASMISSIONE 4RM LDW 602 ASS.	Welle	Shaft	Arbre	Arbol
	11	9019028	1	CHIAVETTA 8X7X35	Paßfeder	Key	Clavette	Chaveta
	12	9109007	1	SUPPORTO UCFL 205	Flanschlager	Support	Support	Soporte
	13	9059005	2	ANELLO SEEGER Ø 25 E DIN 471	Sicherungsring	Lock Ring	Bague D'Arret	Arandela De Freno
	14	3702203	1	GIUNTO CARDANICO X RUOTA FOLLE X 4RM	Kardanwelle	Cardan Shaft	Cardan	Cardan
	15	9112005	1	ANELLO TENUTA 25-47-7 DOPPIO LABBRO	Dichtring	Check Ring	Bague D'Étanchèité	Anillo Reten
	16	9058003	1	ANELLO SEEGER Ø 47 I DIN 472	Sicherungsring	Lock Ring	Bague D'Arret	Arandela De Freno
	17	9101023	1	CUSC.A SFERE 6005	Kugellager	Bearing	Roulement	Cojinete
	18	3701849	1	PIGNONE SCAN.P/ANT.(SERVE CORONA 3701848)	Ritzelwelle	Pinion	Pignon	Piñon
	19	3701848	1	CORONA CON. P/ANT.(SERVE PIGNONE 3701849)	Tellerrad	Ring Gear	Couronne	Corona Conica
	20	9058016	2	ANELLO SEEGER Ø 72 I DIN 472	Sicherungsring	Lock Ring	Bague D'Arret	Arandela De Freno
	21	9101015	1	CUSC.A SFERE 6306	Kugellager	Bearing	Roulement	Cojinete
	22	3702134	1	DISTANZIALE PER SEMIASSE LUNGO PONTE SX	Distanzstück	Spacer	Entretoise	Separador
	23	3701852	1	SEMIASSE LUNGO PONTE ANT.	Achswelle	Axle-Shaft	Demi-Essieu	Semieje
	24	9901496	1	TAPPO SFIATO OLIO 1/4" GAS	Stopfen	Cap	Bouchon	Tapòn
	25	9004007	1	VITE TCCM8X 12 Z	Schraube	Screw	Vis	Tornillo
	26	1401507	1	ALBERINO PORTA SATELLITE	Welle	Shaft	Arbre	Eje
	27	9002074	4	VITE TCEI M 12 X 30 N UNI 5931	Schraube	Screw	Vis	Tornillo
	28	5301746	1	CAMPANA CORTA PONTE 4RM	Getriebegehäuse	Housing	Carter	Caja
	29	3702828	1	CAMPANA LUNGA PONTE 4RM SINISTRO	Getriebegehäuse	Housing	Carter	Caja
	30	9131032	2	SPINA SPIROL 5 X 18 UNI 6873	Stift	Pin	Goupille	Pasador



TERATRAC

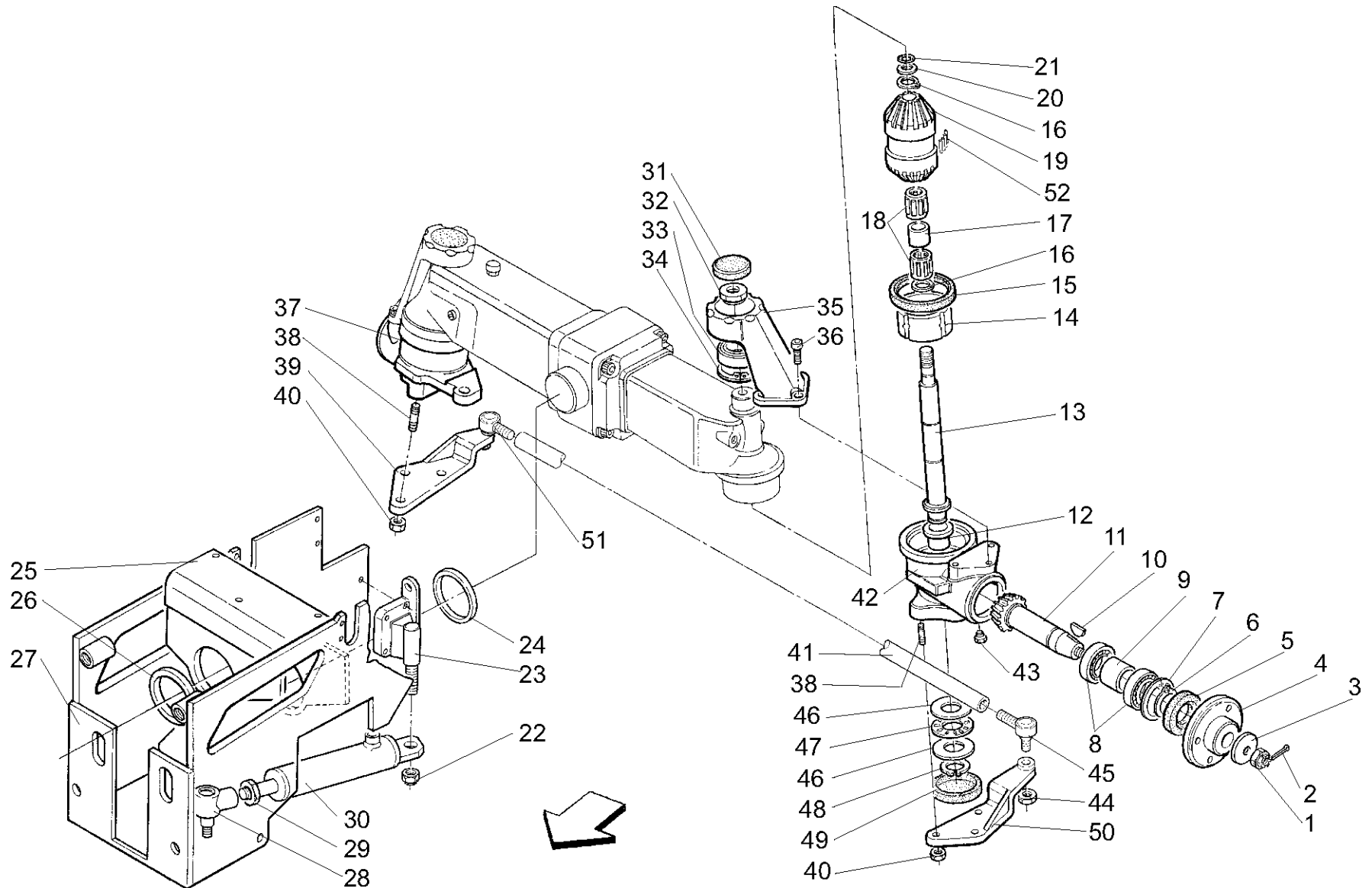
Tav. 12

B0011

Ponte anteriore 4RM

Essieu avant - Antriebvorderachse - Drive front axle - Eje delantero

Rel. 0405





Essieu avant - Antriebvorderachse - Drive front axle - Eje delantero

B0011

Pos.	Code	N°						
Rel. 0405	1	9901069	2	DADO INTAGLI M 16 BASSO PASS. UNI5594	Mutter	Nut	Ecrou	Tuerca
	2	9035001	2	COPIGLIA 4 X 30 PASS. UNI 1336	Splint	Pin	Goupille	Clavija
	3	3702571	2	ROSETTA TIRAGGIO FUSELLO RUOTE	Unterlegscheibe	Washer	Rondelle	Arandela
	4	3702106	2	MOZZO RUOTA PONTE 4RM	Nabe	Hub	Moyeu	Cubo
	5	9111042	2	ANELLO TENUTA 30-62-10	Dichtring 30-62-10	Check Ring	Bague D'Étanchèité	Anillo Reten
	6	9059010	2	ANELLO SEEGER Ø 30 E DIN 471	Sicherungsring	Lock Ring	Bague D'Arret	Arandela De Freno
	7	9058008	2	ANELLO SEEGER Ø 62 I DIN 472	Sicherungsring	Lock Ring	Bague D'Arret	Arandela De Freno
	8	9101013	4	CUSC.A SFERE 6206	Kugellager	Bearing	Roulement	Cojinete
	9	3702142	2	DISTANZIALE PER PIGNONE RUOTA	Distanzstück	Spacer	Entretoise	Separador
	10	9018001	2	LINGUETTA 22 X 9 X 6 AM	Scheibenfeder	Feather Key	Languette	Chaveta
	11	3702576	2	PIGNONE RUOTE PONTE ANT. M16	Räderritzel	Pinion	Pignon	Piñon
	12	5301749	2	BRONZINA PERNO PIGNONE DOPPIO	Bronzelager	Bushing	Coussinet En Bronze	Casquillo De Bronze
	13	3702016B	2	PERNO SUPP.PIGNONE DOPPIO	Zapfen (Neu)	Pin	Pivot	Perno
	14	3702143	2	BRONZINA PER SNODO CAMPANE	Bronzelager	Bushing	Coussinet En Bronze	Casquillo De Bronze
	15	9111074	2	ANELLO TENUTA 75-90-8	Dichtring	Check Ring	Bague D'Étanchèité	Anillo Reten
	16	9059014	4	ANELLO SEEGER Ø 18 E DIN 471	Sicherungsring	Lock Ring	Bague D'Arret	Arandela De Freno
	17	3702117	2	DISTANZIALE PER PIGNONE DOPPIO	Distanzstück	Spacer	Entretoise	Separador
	18	9106011	4	GABBIA RULLINI K 18-22-22	Rollenkäfig	Needle Bearing	Cage À Roulements	Jaula De Agujas
	19	3701853	2	PIGNONE DOPPIO PONTE ANT.	Ritzel	Pinion	Pignon	Piñon
	20	9107017	2	RALLA Ø 15/28 PER PONTE 4RM	Druckscheibe	Thrust Plate	Crapaudine	Chumacera
	21	9110007	2	ANELLO OR 140 - 114	O-Ring	Or Ring	Bague Or	Anillo Or
	22	9024007	1	DADO AUTOBL.ALTO M 12 PASS. UNI 7473	Mutter	Nut	Ecrou	Tuerca
	23	5301923	1	BLOCCO CON PERNO X PIST. STERZO LDW702	Block	Block	Bloc	Bloquete
	24	3702093	1	BRONZINA POSTERIORE	Bronzelager	Bushing	Coussinet En Bronze	Casquillo De Bronze
	25	3701928	1	PIASTRA SUPPORTO PONTE 4RM LDW602	Platte	Support	Paque	Placa
	26	3702092	1	BRONZINA ANTERIORE	Bronzelager	Bushing	Coussinet En Bronze	Casquillo De Bronze
	27	5301924	1	PARAURTI 4RM LDW 702 ASS.	Stoßdämpfer	Bumper	Pare-Chocs	Parachoques
	28	3702119	1	TESTINA SFERICA M 16X1,5 X PIST. STERZO	Kugelgelenk	Head	Joint Dénoué	Articulacion Esferica
	29	9901241	1	DADO M 16 X 1,5 ALTO	Mutter	Nut	Ecrou	Tuerca
	30	3701935	1	CILINDRO OLEOD. PONTE 4RM (DOPPIO EFF.)	Hydraulikzylinder	Cylinder	Cylindre Hydraulique	Cilindro Hidraulico



TERATRAC

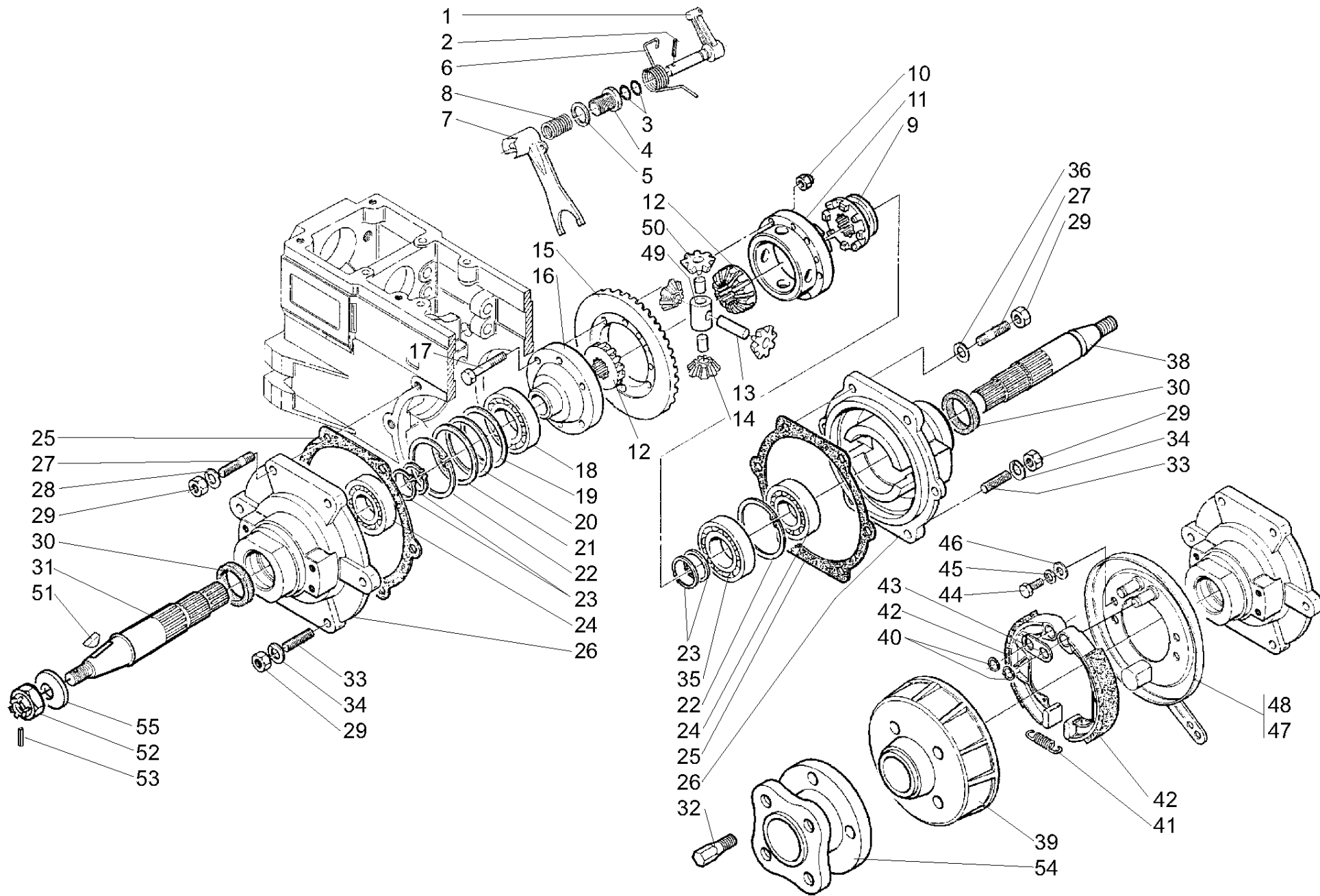
Tav. 13

B0017

DIFFERENZIALE / A

Diffèrentiel / A - Differential / A - Differential / A - Diferencial / A

Rel. 0405





B0017

Diffèrentiel / A - Differential / A - Differential / A - Diferencial / A

Pos.	Code	N°						
Rel. 0405	1	1401584	1	LEVA EST. BLOC. DIFF. ASS.	Differentialsperrhebel	Lever	Levier	Palanca
	2	9131003	1	SPINA SPIROL 5 X 24	Stift	Pin	Goupille	Pasador
	3	9110004	2	ANELLO OR 80 -108	O-Ring	Or Ring	Bague Or	Anillo Or
	4	1401577	1	BOCCOLA X PERNO BLOC.DIFF. LUNGA	Buchse	Bushing	Douille	Buje
	5	9901049	1	RONDELLA IN RAME Ø 18	Unterlegscheibe	Washer	Rondelle	Arandela
	6	1401616	1	MOLLA ESTERNA DIFFERENZIALE	Drehfeder	Spring	Ressort	Resorte
	7	1401537	1	FORCELLA BLOCCAGGIO DIFF.	Gabelstück	Fork	Fourche	Horquilla
	8	0001041	1	MOLLA ALBERINO R.M.	Druckfeder	Spring	Ressort	Resorte
	9	1401683	1	INNESTO DIFFERENZIALE	Kupplungshälfte	Slider	Moite Embrayage	Inesto
	10	9024102	10	DADO METALBLOC M 8 PASS. DIN 980	Mutter	Nut	Ecrou	Tuerca
	11	1401684	1	COPERCHIO DIFFERENZ.+INN.	Deckel	Cover	Couvercle	Tapa
	12	1401526	2	PLANETARIO	Kegelrad	Cogged Wheel	Roue Conique	Pinon Satellite
	13	1401507	1	ALBERINO PORTA SATELLITE	Welle	Shaft	Arbre	Eje
	14	1401525	4	SATELLITE	Kegelrad	Cogged Wheel	Satellit	Pinon Satellite
	15	1401521	1	CORONA CONICA	Tellerrad	Ring Gear	Couronne	Corona Conica
	16	1401524	1	COPERCHIO DIFFERENZIALE	Deckel	Cover	Couvercle	Tapa
	17	9002070	10	VITE TCEI M 8 X 55 N 12.9 K UNI 5931	Schraube	Screw	Vis	Tornillo
	18	9101009	1	CUSC.A SFERE 6207	Kugellager	Bearing	Roulement	Cojinete
	19	8900098	1	RASAMENTO 60,3-71,7-1	Ring	Ring	Bague	Anillo
	20	8900096	2	RASAMENTO 62,2-71,8-0,5	Ring	Ring	Bague	Anillo
	21	8900095	1	RASAMENTO 62,2-71,8-0,2	Ring	Ring	Bague	Anillo
	22	9058008	2	ANELLO SEEGER Ø 62 I DIN 472	Sicherungsring	Lockring	Bague D'Arret	Arandela De Freno
	23	9059010	3	ANELLO SEEGER Ø 30 E DIN 471	Sicherungsring	Lock Ring	Bague D'Arret	Arandela De Freno
	24	9101013	2	CUSC.A SFERE 6206	Kugellager	Bearing	Roulement	Cojinete
	25	1401553	2	GUARNIZIONE LATERALE MC 14	Dichtring	Gasket	Joint	Junta
	26	1401503	2	COPERCHIO RUOTE	Deckel	Cover	Couvercle	Tapa
	27	9040019	10	PRIGIONIERO M 10 X 25 PASS.	Stiftschraube	Stud Bolt	Prisonnier	Esparrago
	28	9041003	12	ROSETTA GROWER Ø 10 N UNI 1751	Unterlegscheibe	Washer	Rondelle	Arandela
	29	9022003	12	DADO ALTO M 10 NERO UNI 5587	Mutter	Nut	Ecrou	Tuerca
	30	9112008	2	ANELLO TENUTA 35-47-7 DOPPIO LABBRO	Dichtring	Check Ring	Bague D'Étanchèitè	Anillo Reten



B0017

Diffèrenzial / A - Differential / A - Differential / A - Diferencial / A

Pos.	Code	N°						
Rel. 0405	31	5301782	1	SEMIASSE CORTO	Achswelle	Axle-Shaft	Demi-Essieu	Semieje
	32	9901786	8	VITE CONICA A 60° TE M 12 X 24	Kegelschraube	Screw	Vis	Tornillo
	33	9040019	2	PRIGIONIERO M 10 X 25	Stiftschraube	Stud Bolt	Prisonnier	Esparrago
	34	9043002	2	ROSETTA SCHONOR Ø 10 NERA	Unterlegscheibe	Washer	Rondelle	Arandela
	35	9101015	1	CUSC.A SFERE 6306	Kugellager	Bearing	Roulement	Cojinete
	36	9052001	1	ROSETTA PIANA M 10 PASS. UNI 6592	Unterlegscheibe	Washer	Rondelle	Arandela
	38	5301781	1	SEMIASSE LUNGO	Achswelle	Axle Shaft	Demi-Essieu	Semieje
	39	5301780	2	TAMBURO FRENI CON CONO TERATRAC	Bremstrommel	Drum	Tambour	Tambor
	40	9059021	4	ANELLO SEEGER Ø 12 E DIN 471	Sicherungsring	Lockring	Bague D'Arret	Arandela De Freno
	41	1401668	2	MOLLA GANASCE FRENI	Zugfeder	Spring	Ressort	Resorte
	42	1401669	4	GANASCIA FRENO TERATRAC	Bremsbacke	Brake Shoe	Machoire De Frein	Zapata De Freno
	43	1401667	2	PIASTRINA FERMA GANASCE	Platte	Clif	Paque	Placa
	44	9001014	8	VITE TE M 8 X 16 N UNI 5737	Schraube	Screw	Vis	Tornillo
	45	9041001	8	ROSETTA GROWER Ø 8 N UNI 1751	Unterlegscheibe	Washer	Rondelle	Arandela
	46	9042002	8	ROSETTA PIANA M 8 NERA UNI 6592	Unterlegscheibe	Washer	Rondelle	Arandela
	47	5301820	1	MASSA FRENANTE DX TERATRAC	Bremsehalterung	Brake Support	Support Du Frein	Soporte Ferno
	48	5301821	1	MASSA FRENANTE SN TERATRAC	Bremsehalterung	Brake Support	Support Du Frein	Soporte Ferno
	49	3702421	1	BOCCOLA SUPP. PERNI DIFFERENZIALE	Buchse	Bushing	Douille	Buje
	50	3702422	2	PERNO PORTA SATELLITI	Zapfen	Pin	Pivot	Perno
	51	9018017	2	LINGUETTA 8 X 11 AM UNI 6606	Paßfeder	Feather Key	Languette	Chaveta
	52	9901071	2	DADO INTAGLI M 20X1,5 N ALTO UNI 5593	Mutter	Nut	Ecrou	Tuerca
	53	9035021	2	COPIGLIA 4 X 35 PASS. UNI 1336	Splint	Pin	Goupille	Clavija
	54	3702862	2	DISTANZIALE RUOTE CM.6 PER DADI CONICI	Distanzstück	Spacer	Entretoise	Separador
	55	9044105	2	MOLLA A TAZZA Ø 20 NERA DIM 2093	Tellerfeder	Spring	Ressort	Resorte De Disco



B0078

Diffèrentiel / B - Differential / B - Differential / B - Diferencial / B

Pos.	Code	N°						
Rel. 0405	1	1401584	1	LEVA EST. BLOC. DIFF. ASS.	Differentialsperrhebel	Lever	Levier	Palanca
	2	9131003	1	SPINA SPIROL 5 X 24	Stift	Pin	Goupille	Pasador
	3	1401616	1	MOLLA ESTERNA DIFFERENZIALE	Drehfeder	Spring	Ressort	Resorte
	4	9110004	2	ANELLO OR 80 -108	O-Ring	Or Ring	Bague Or	Anillo Or
	5	1401577	1	BOCCOLA X PERNO BLOC.DIFF. LUNGA	Buchse	Bushing	Douille	Buje
	6	9901049	1	*RONDELLA AL Ø 18X24X1,5	Unterlegscheibe	Washer	Rondelle	Arandela
	7	0001041	1	MOLLA ALBERINO R.M.	Druckfeder	Spring	Ressort	Resorte
	8	1401537	1	FORCELLA BLOCCAGGIO DIFF.	Gabelstück	Fork	Fourche	Horquilla
	9	1401683	1	INNESTO DIFFERENZIALE	Kupplungshälfte	Slider	Moite Embrayage	Inesto
	10	9024102	10	DADO METALBLOC M 8 PASS. DIN 980	Mutter	Nut	Ecrou	Tuerca
	11	1401684	1	COPERCHIO DIFFERENZ.+INN.	Deckel	Cover	Couvercle	Tapa
	12	1401526	2	PLANETARIO	Kegelrad	Cogged Wheel	Roue Conique	Pinon Satellite
	13	1401525	4	SATELLITE	Kegelrad	Cogged Wheel	Satellite	Pinon Satellite
	14	1401507	1	ALBERINO PORTA SATELLITE	Welle	Shaft	Arbre	Eje
	15	3702421	1	BOCCOLA SUPP. PERNI DIFFERENZIALE	Buchse	Bushing	Douille	Buje
	16	3702422	2	PERNO PORTA SATELLITI	Zapfen	Pin	Pivot	Perno
	17	1401521	1	CORONA CONICA	Tellerrad	Ring Gear	Couronne	Corona Conica
	18	1401524	1	COPERCHIO DIFFERENZIALE	Deckel	Cover	Couvercle	Tapa
	19	9101009	1	CUSC.A SFERE 6207	Kugellager	Bearing	Roulement	Cojinete
	20	9002070	10	VITE TCEI M 8 X 55 N 12.9 K UNI 5931	Schraube	Screw	Vis	Tornillo
	21	8900096	2	RASAMENTO 62,2-71,8-0,5	Ring	Ring	Bague	Anillo
	22	9058016	1	ANELLO SEEGER Ø 72 I DIN 472	Sicherungsring	Lock Ring	Bague D'Arret	Arandela De Freno
	23	9059010	3	ANELLO SEEGER Ø 30 E DIN 471	Sicherungsring	Lock Ring	Bague D'Arret	Arandela De Freno
	24	5301840	2	FLANGIA INTERMEDIA CM.60 TERATRAC	Flansch	Flange	Bride	Brida
	25	5301879	1	DISTANZIALE CORTO X MOZZI Ø 35	Distanzstück	Spacer	Entretoise	Separador
	26	9040025	12	PRIGIONIERO M 10 X 86 PASS.	Stiftschraube	Stud Bolt	Prisonnier	Esparrago
	27	9041003	12	ROSETTA GROWER Ø 10 N UNI 1751	Unterlegscheibe	Washer	Rondelle	Arandela
	28	9022003	12	DADO ALTO M 10 NERO UNI 5587	Mutter	Nut	Ecrou	Tuerca
	29	9135004	2	CUSC.A RULLI CILINDRICI NU 1007 EC	Kugellager	Bearing	Roulement	Cojinete
	30	9112008	2	ANELLO TENUTA 35-47-7 DOPPIO LABBRO	Dichtring	Check Ring	Bague D'Étanchèitè	Anillo Reten



B0078

Diffèrenzial / B - Differential / B - Differential / B - Diferencial / B

Pos.	Code	N°						
Rel. 0405	31	5301839	1	SEMIASSE CONICO CORTO TR Ø 35	Achswelle	Axle-Shaft	Demi-Essieu	Semieje
	32	9018017	2	LINGUETTA 8 X 11 AM UNI 6606	Paßfeder	Feather Key	Languette	Chaveta
	33	9044105	2	MOLLA A TAZZA Ø 20 NERA DIN 2093	Tellerfeder	Spring	Ressort	Resorte De Disco
	34	9901071	2	DADO INTAGLI M 20X1,5 N ALTO UNI 5593	Mutter	Nut	Ecrou	Tuerca
	35	9035021	2	COPIGLIA 4 X 35 PASS. UNI 1336	Splint	Pin	Goupille	Clavija
	36	9001014	2	VITE TE M 8 X 16 N UNI 5737	Schraube	Screw	Vis	Tornillo
	37	9043003	2	ROSETTA SCHONOR Ø 6 PASS.	Unterlegscheibe	Washer	Rondelle	Arandela
	38	3703113	1	PIASTRA FISSA CUSCINETTI	Platte	Plate	Paque	Placa
	39	9101015	2	CUSC.A SFERE 6306	Kugellager	Bearing	Roulement	Cojinete
	40	5301880	1	DISTANZIALE LUNGO X MOZZI Ø 35	Distanzstück	Spacer	Entretoise	Separador
	41	5301838	1	SEMIASSE CONICO LUNGO TR Ø 35	Achswelle	Axle-Shaft	Demi-Essieu	Semieje
	42	1401503	2	COPERCHIO RUOTE	Deckel	Cover	Couvercle	Tapa
	43	5301820	1	MASSA FRENANTE DX TERATRAC	Bremsehalterung	Brake Support	Support Du Frein	Soporte Ferno
	44	5301821	1	MASSA FRENANTE SN TERATRAC	Bremsehalterung	Brake Support	Support Du Frein	Soporte Ferno
	45	9042002	8	ROSETTA PIANA M 8 NERA UNI 6592	Unterlegscheibe	Washer	Rondelle	Arandela
	46	9041001	8	ROSETTA GROWER Ø 8 N UNI 1751	Unterlegscheibe	Washer	Rondelle	Arandela
	47	9001014	8	VITE TE M 8 X 16 N UNI 5737	Schraube	Screw	Vis	Tornillo
	48	1401669	4	GANASCIA FRENO TERATRAC	Bremsbacke	Brake Shoe	Machoire De Frein	Zapata De Freno
	49	1401667	2	PIASTRINA FERMA GANASCE	Platte	Clif	Paque	Placa
	50	9059021	4	ANELLO SEEGER Ø 12 E DIN 471	Sicherungsring	Lock Ring	Bague D'Arret	Arandela De Freno
	51	1401668	2	MOLLA GANASCE FRENI	Zugfeder	Spring	Ressort	Resorte
	52	5301780	2	TAMBURO FRENI CON CONO TERATRAC	Bremstrommel	Brake Drum	Tambour Du Frein	Tambor Freno
	53	3702862	2	DISTANZIALE RUOTE CM.6 PER DADI CONICI	Distanzstück	Spacer	Entretoise	Separador
	54	9901786	8	VITE CONICA A 60° TE M 12 X 24	Kegelschraube	Screw	Vis	Tornillo



TERATRAC

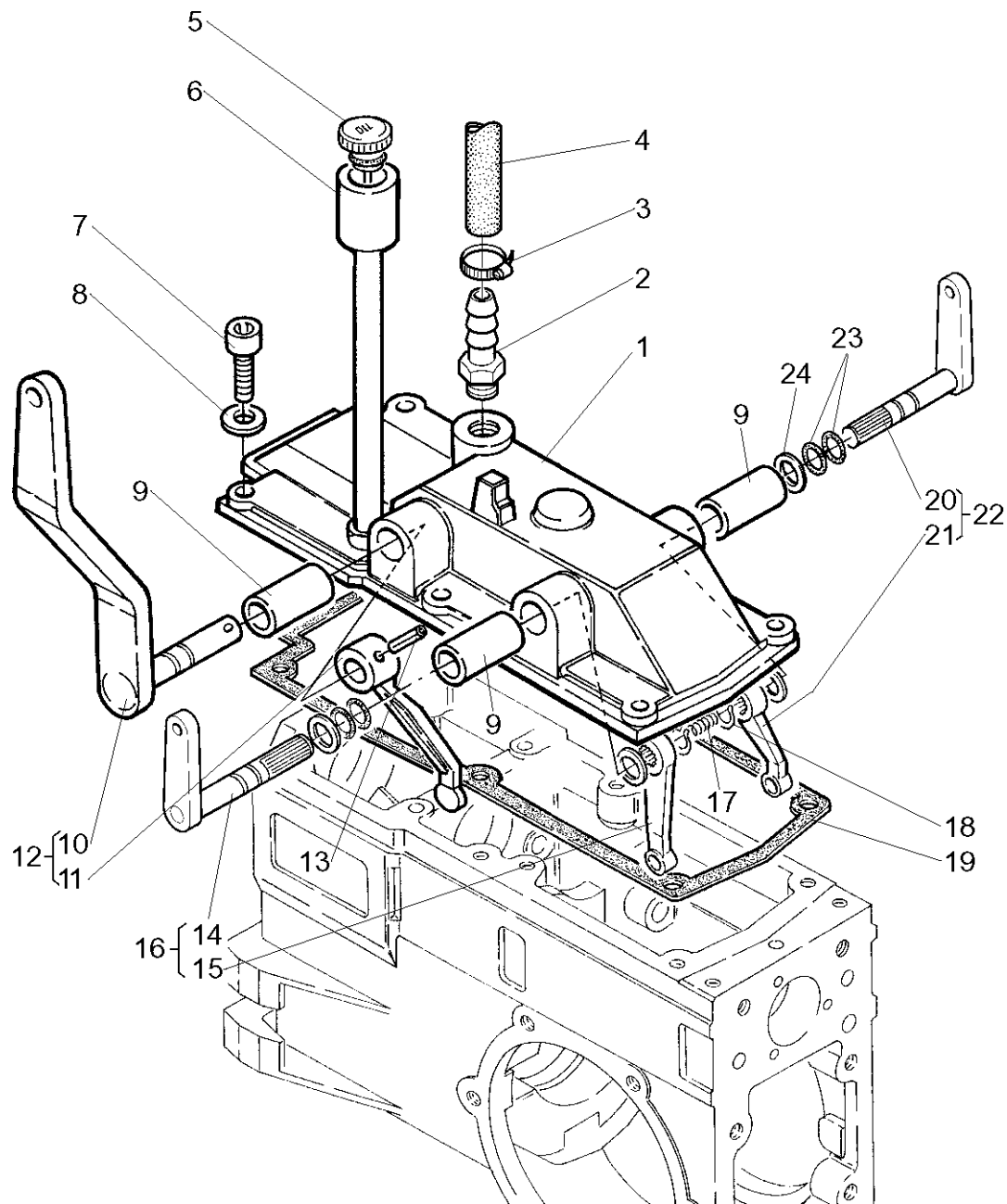
Tav. 15

B0005

COMANDI CAMBIO

Commandes boîte de vit. - Steuerung - Gear controls - Mando del cambio

Rel. 0405





Tav. 15

COMANDI CAMBIO

Commandes boîte de vit. - Steuerung - Gear controls - Mando del cambio

B0005

Pos.	Code	N°						
Rel. 0405	1	3702398	1	COPERCHIO CAMBIO TERATRAC PTO SX	Deckel Für Getriebe	Cover	Couvercle	Tapa
	2	9901666	1	RACCORDO M 10 X SFIATO	Anschlußstück	Joint	Raccord	Racòr
	3	9037200	1	FASCETTA SERRATUBO 7-11	Schelle	Clamp	Bande	Abrazadera
	4	9901526	1	TUBO SCARICO GASOLIO	Schlauch	Hose	Tuyau	Tubo
	5	9901102	1	TAPPO OLIO F.18	Öldeckel	Cap	Bouchon	Tapòn
	6	3702399	1	PROLUNGA PER TAPPO OLIO	Peilstab	Extension	Rallonge	Extension
	7	9002010	6	VITE TCEI M 10 X 30 N UNI 5931	Schraube	Screw	Vis	Tornillo
	8	9043002	6	ROSETTA SCHONOR Ø 10 NERA	Unterlegscheibe	Washer	Rondelle	Arandela
	9	1401551	3	BOCCOLA SINT. 15-20-35	Buchse	Bushing	Douille	Buje
	10	-		NON FORNITO SINGOLARMENTE	Nicht Einzel lieferbar	Not Supplied Alone	Pas Vendus Tout Soul	Indisponible Suelto
	11	-		NON FORNITO SINGOLARMENTE	Nicht Einzel lieferbar	Not Supplied Alone	Pas Vendus Tout Soul	Indisponible Suelto
	12	3701560	1	LEVA PTO TERATRAC ASS.	Hebel	Lever	Levier	Palanca
	13	9131004	1	SPINA SPIROL 6 X 30	Stift	Pin	Goupille	Pasador
	14	-		NON FORNITO SINGOLARMENTE	Nicht Einzel lieferbar	Not Supplied Alone	Pas Vendus Tout Soul	Indisponible Suelto
	15	-		NON FORNITO SINGOLARMENTE	Nicht Einzel lieferbar	Not Supplied Alone	Pas Vendus Tout Soul	Indisponible Suelto
	16	3701559	1	LEVA LENTE-VELOCI TERATRAC ASS.	Hebel	Lever	Levier	Palanca
	17	1401729	1	MOLLA CAMBIO E RIDUTTORE L=39	Feder	Spring	Ressort	Resorte
	18	9059004	2	ANELLO SEEGER Ø 14 E DIN 471	Sicherungsring	Lock Ring	Bague D'Arret	Arandela De Freno
	19	1401543	1	GUARNIZIONE SUPERIORE MC 14	Dichtring	Gasket	Joint	Junta
	20	-		NON FORNITO SINGOLARMENTE	Nicht Einzel lieferbar	Not Supplied Alone	Pas Vendus Tout Soul	Indisponible Suelto
	21	-		NON FORNITO SINGOLARMENTE	Nicht Einzel lieferbar	Not Supplied Alone	Pas Vendus Tout Soul	Indisponible Suelto
	22	3701558	1	LEVA CAMBIO TERATRAC ASS.	Hebel	Lever	Levier	Palanca
	23	9110007	6	ANELLO OR 140 -114	O-Ring	Or Ring	Bague Or	Anillo Or
	24	8900019		RASAMENTO 15,2-24,9-0,6	Ring	Ring	Bague	Anillo



TERATRAC

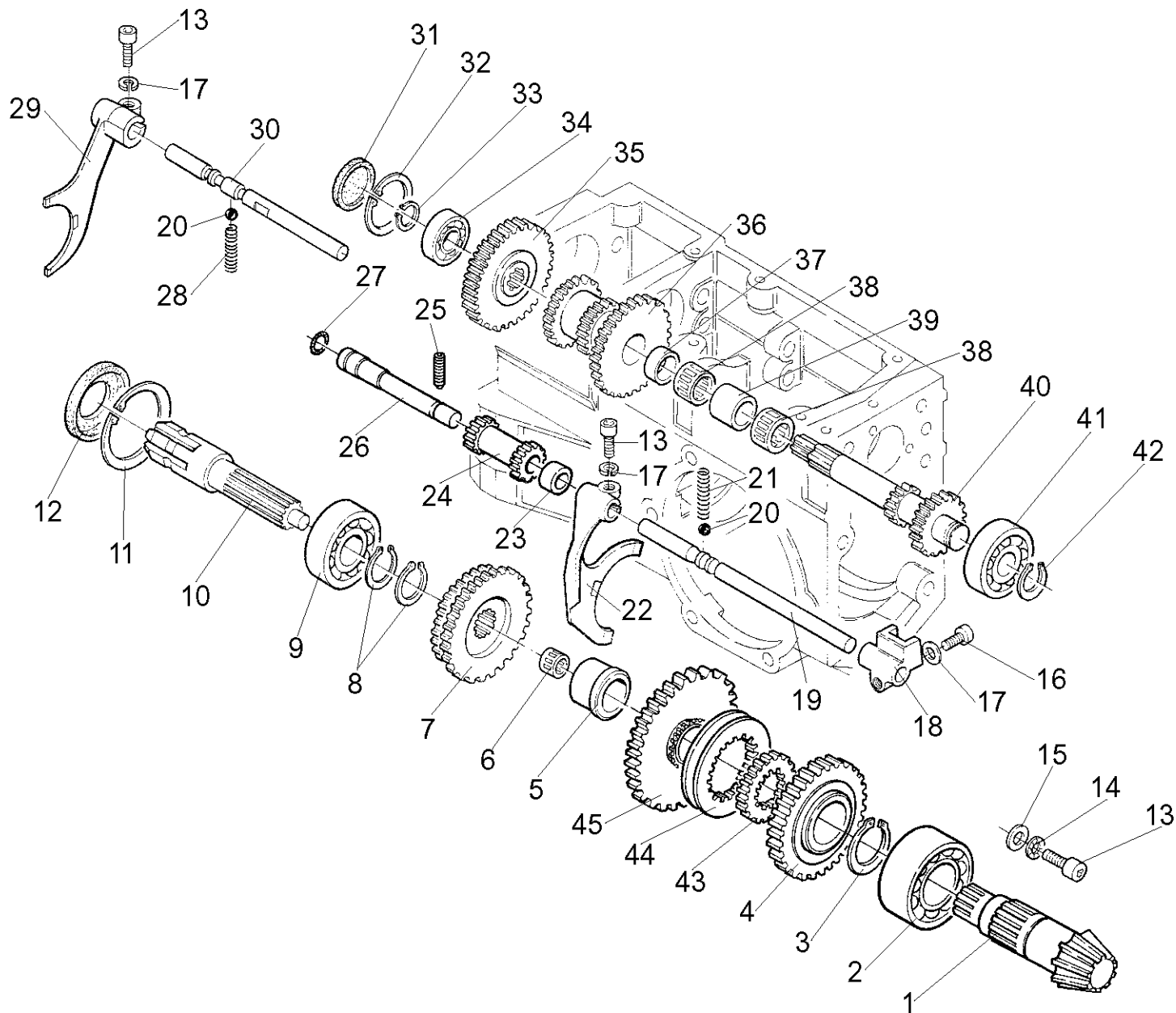
Tav. 16

B0006

SCATOLA E TRASMISSIONE

Boîte de vitesses - Schaltgetriebe - Gearbox - Cambio

Rel. 0405





B0006

Boîte de vitesses - Schaltgetriebe - Gearbox - Cambio

Pos.	Code	N°						
Rel. 0405	1	3702725	1	PIGNONE CONICO	Ritzelwelle	Pinion	Pignon	Piñon
	2	9109005	1	CUSCINETTO A SFERE 3207 A	Kugellager	Free Wheel Bearing	Roue Libre	Cojinete
	3	9059007	1	ANELLO SEEGER Ø 35 E DIN 417	Sicherungsring	Lock Ring	Bague D'Arret	Arandela De Freno
	4	3702723	1	INGRANAGGIO Z 28	Zahnrad	Cogged Wheel	Roue Dentée	Engranaje
	5	1401557	1	BOCCOLA DI SUPPORTO	Buchse	Bushing	Douille	Buje
	6	9106003	1	GABBIA RULLINI K 12-15-13	Rollenkäfig	Needle Bearing	Cage À Roulements	Jaula De Agujas
	7	1401518	1	INGRANAGGIO SCORREVOLE	Zahnrad	Cogged Wheel	Roue Dentée	Engranaje
	8	9059005	2	ANELLO SEEGER Ø 25 E DIN 417	Sicherungsring	Lock Ring	Bague D'Arret	Arandela De Freno
	9	9101011	1	CUSCINETTO A SFERE 6305	Kugellager	Free Wheel Bearing	Roue Libre	Cojinete
	10	3702218	1	ALBERO PTO INFERIORE TERATRAC	Welle	Shaft	Arbre	Arbol
	11	9058008	1	ANELLO SEEGER Ø 62 I DIN 472	Sicherungsring	Lock Ring	Bague D'Arret	Arandela De Freno
	12	9111009	1	ANELLO TENUTA 35-62-7	Dichtring	Check Ring	Bague D'Étanchèité	Anillo Reten
	13	9002007	3	VITE TCEI M 8X20 N UNI 5931	Schraube	Screw	Vis	Tornillo
	14	9041001	1	ROSETTA GROWER Ø 8 N UNI 1751	Unterlegscheibe	Washer	Rondelle	Arandela
	15	9901772	1	ROSETTA PIANA M 8X 16 R80 DIN 6340 PASS	Unterlegscheibe	Washer	Rondelle	Arandela
	16	9002024	1	VITE TCEI M 8X16 N UNI 5931	Schraube	Screw	Vis	Tornillo
	17	9043001	3	ROSETTA SCHONOR Ø 8 NERA	Unterlegscheibe	Washer	Rondelle	Arandela
	18	1401549	1	GUIDA ASTA LENTE-VELOCI	Führung	Guide	Guide	Guia
	19	3702797	1	ASTA INTERNA LENTE-VELOCI	Verbindungsstange	Lever	Barre De Jonction	Barra
	20	9120010	2	SFERA 5/16 Ø 7,938	Kugel	Ball	Sphere	Bola
	21	1401560	1	MOLLA PTO L = 50	Druckfeder	Spring	Ressort	Resorte
	22	1401531	1	FORCELLA L.V.	Gabelstück	Fork	Fourche	Horquilla
	23	1401583	1	DISTANZIALE INGR. RM	Distanzstück	Spacer	Entretoise	Separador
	24	1401506	1	INGRANAGGIO RM ASSIEME	Zahnrad	Cogged Wheel	Roue Dentée	Engranaje
	25	9046003	1	GRANO M 6X18 PIANO	Schraube	Screw	Vis	Tornillo
	26	1401529	1	ALMERINO RM	Welle	Shaft	Arbre	Eje
	27	9110008	1	ANELLO OR 190-119	O-Ring	Or Ring	Bague Or	Anillo Or
	28	1401729	1	MOLLA CAMBIO E RIDUTTORE L=39	Feder	Spring	Ressort	Resorte
	29	1401530	1	FORCELLA PTO	Gabelstück	Fork	Fourche	Horquilla
	30	1401532	1	ASTA INTERNA PTO	Verbindungsstange	Shift Lever	Barre De Jonction	Barra



TERATRAC

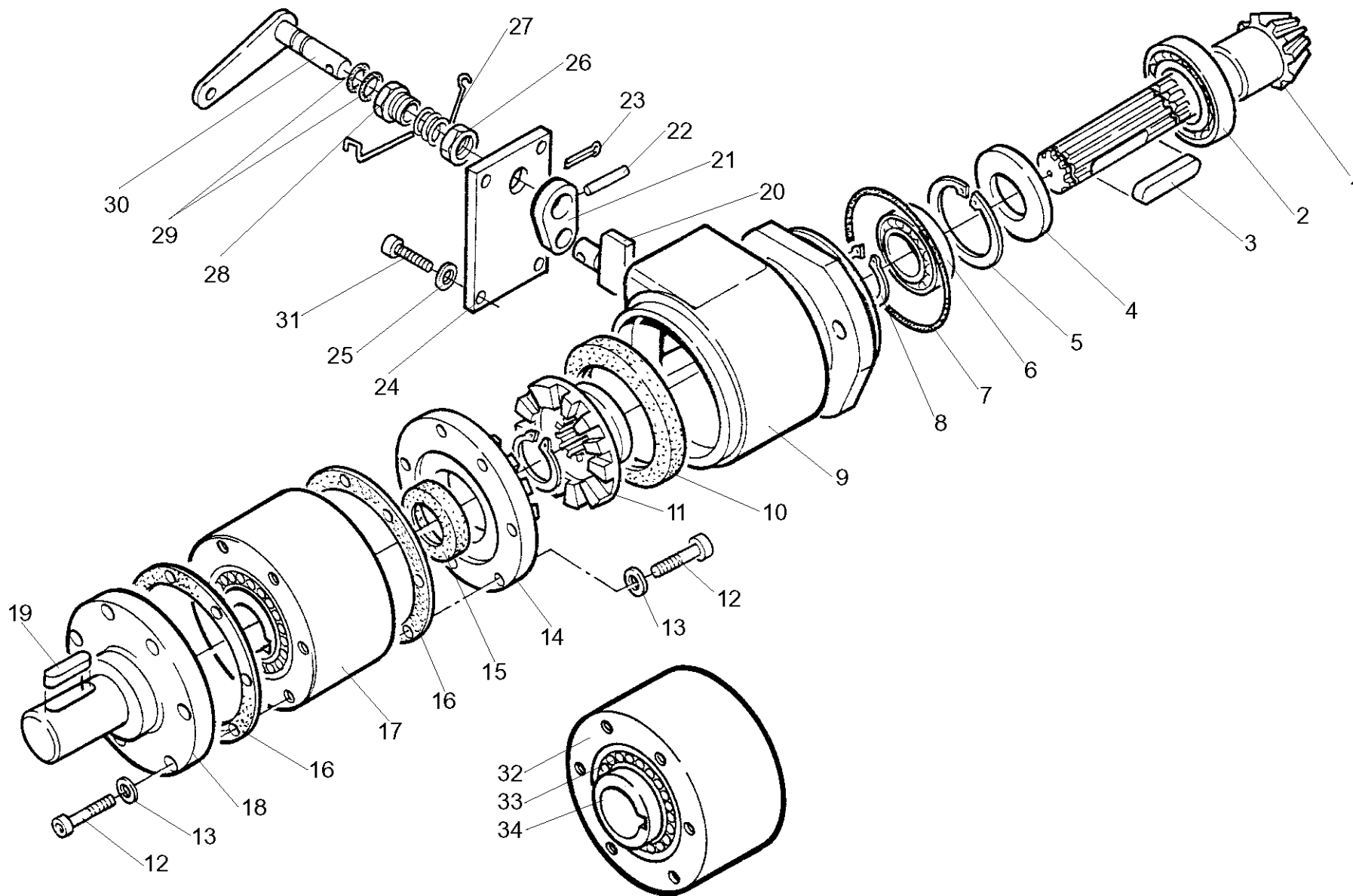
Tav. 17

B0009

Innesto 4WD e ADS

Clabotage de 4RM et ADS - ADS- u. Allradschaltung - ADS and 4WD clutch - Inesto ADS e 4RM

Rel. 0405





B0009

Clabotage de 4RM et ADS - ADS- u. Allradschaltung - ADS and 4WD clutch - Inesto ADS e 4RM

Pos.	Code	N°						
Rel. 0405	1	3702320	1	PIGNONE CONICO TRAS. 4RM	Ritzelwelle	Pinion	Pignon	Piñon
	2	9109005	1	CUSC.A SFERE 3207 A	Kugellager	Bearing	Roulement	Cojinete
	3	9019026	1	CHIAVETTA 8 X 7 X 50	Paßfeder	Key	Clavette	Chaveta
	4	9111046	1	ANELLO TENUTA 30-62-7	Dichtring 30-62-7	Check Ring	Bague D'Étanchèité	Anillo Reten
	5	9058008	1	ANELLO SEEGER Ø 62 I DIN 472	Sicherungsring	Lock Ring	Bague D'Arret	Arandela De Freno
	6	9102018	1	CUSC.A SFERE 6206 2RS	Kugellager	Bearing	Roulement	Cojinete
	7	9110032	1	ANELLO OR 4300	O-Ring	Or Ring	Bague Or	Anillo Or
	8	9059010	3	ANELLO SEEGER Ø 30 E DIN 471	Sicherungsring	Lock Ring	Bague D'Arret	Arandela De Freno
	9	3702324	1	SUPPORTO PIGNONE 4RM	Gehäuse	Support	Support	Càrter
	10	9111085	1	ANELLO TENUTA 70-85-8	Dichtring	Check Ring	Bague D'Étanchèité	Anillo Reten
	11	1401683	1	INNESTO DIFFERENZIALE	Kupplungshälfte	Slider	Moite Embrayage	Inesto
	12	9002021	15	VITE TCEI M 6 X 16 N UNI 5931	Schraube	Screw	Vis	Tornillo
	13	9043003	12	ROSETTA SCHONOR Ø 6 PASS.	Unterlegscheibe	Washer	Rondelle	Arandela
	14	3702321	1	COPERCHIO CON INNESTO PER DISP. R.L.	Deckel	Cover	Couvercle	Tapa
	15	9111045	1	ANELLO TENUTA 45-62-8	Dichtring	Check Ring	Bague D'Étanchèité	Anillo Reten
	16	3702451	2	GUARNIZIONE DISP. RL	Dichtung	Gasket	Joint	Junta
	17	3702120	1	CUSCINETTO ANTIRITORNO GMF30	Kugellager	Free Wheel Bearing	Roue Libre	Cojinete
	18	3702108	1	COPERCHIO CON MOZZO	Deckel	Cover	Couvercle	Tapa
	19	9019028	1	CHIAVETTA 8 X 7 X 35	Paßfeder	Key	Clavette	Chaveta
	20	3702407	1	PATTINO LEVA INN. 4RM	Gleitbacke	Skid Plate	Patin	Patin
	21	3702406	1	LEVA INTERNA INN. 4RM	Hebel	Lever	Levier	Palanca
	22	9131002	1	SPINA SPIROL 4 X 24	Stift	Pin	Goupille	Pasador
	23	9035018	1	COPIGLIA 1,5 X 20 PASS. UNI 1336	Splint	Pin	Goupille	Clavija
	24	3702409	1	COPERCHIO LEVA INN. 4RM	Deckel	Cover	Couvercle	Tapa
	25	9042016	4	ROSETTA PIANA M 6 X 18 PASS.	Unterlegscheibe	Washer	Rondelle	Arandela
	26	3702410	1	SPESSORE PER LEVA INN. 4RM	Distanzstück	Plate	Entretoise	Separador
	27	1401616	1	MOLLA ESTERNA DIFFERENZIALE	Drehfeder	Spring	Ressort	Resorte
	28	1401577	1	BOCCOLA X PERNO BLOC.DIFF. LUNGA	Buchse	Bushing	Douille	Buje
	29	9110004	2	ANELLO OR 80 - 108	O-Ring	Or Ring	Bague Or	Anillo Or
	30	3702483	1	LEVA INNESTO 4RM ASS	Hebel	Lever	Levier	Palanca



TERATRAC

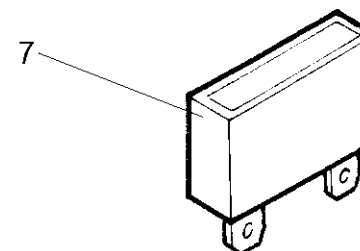
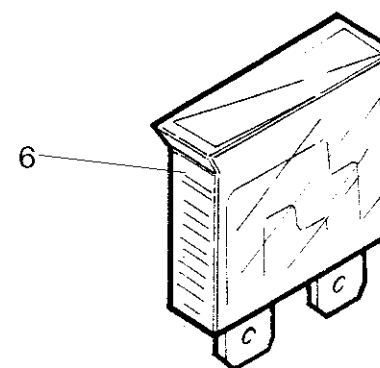
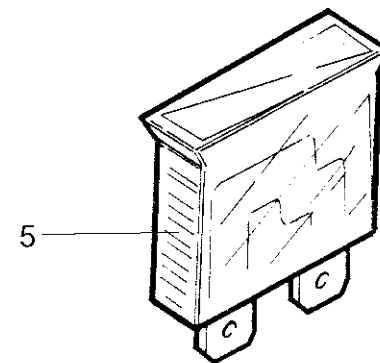
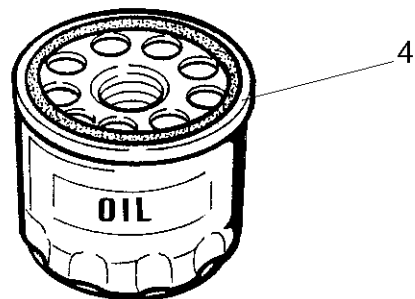
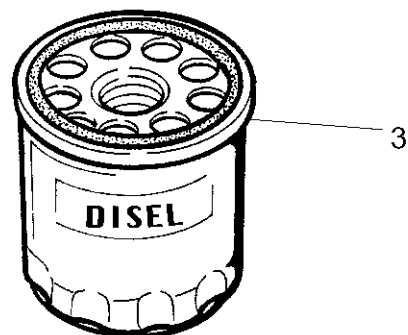
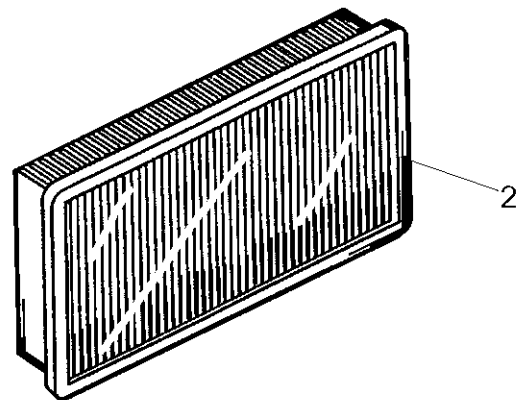
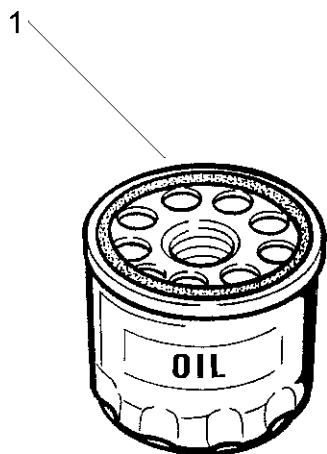
Tav. 18

B0001

MATERIALE DI CONSUMO

Consummations - Verbrauchsmaterial - Wearing material - Material de consumo

Rel. 0405

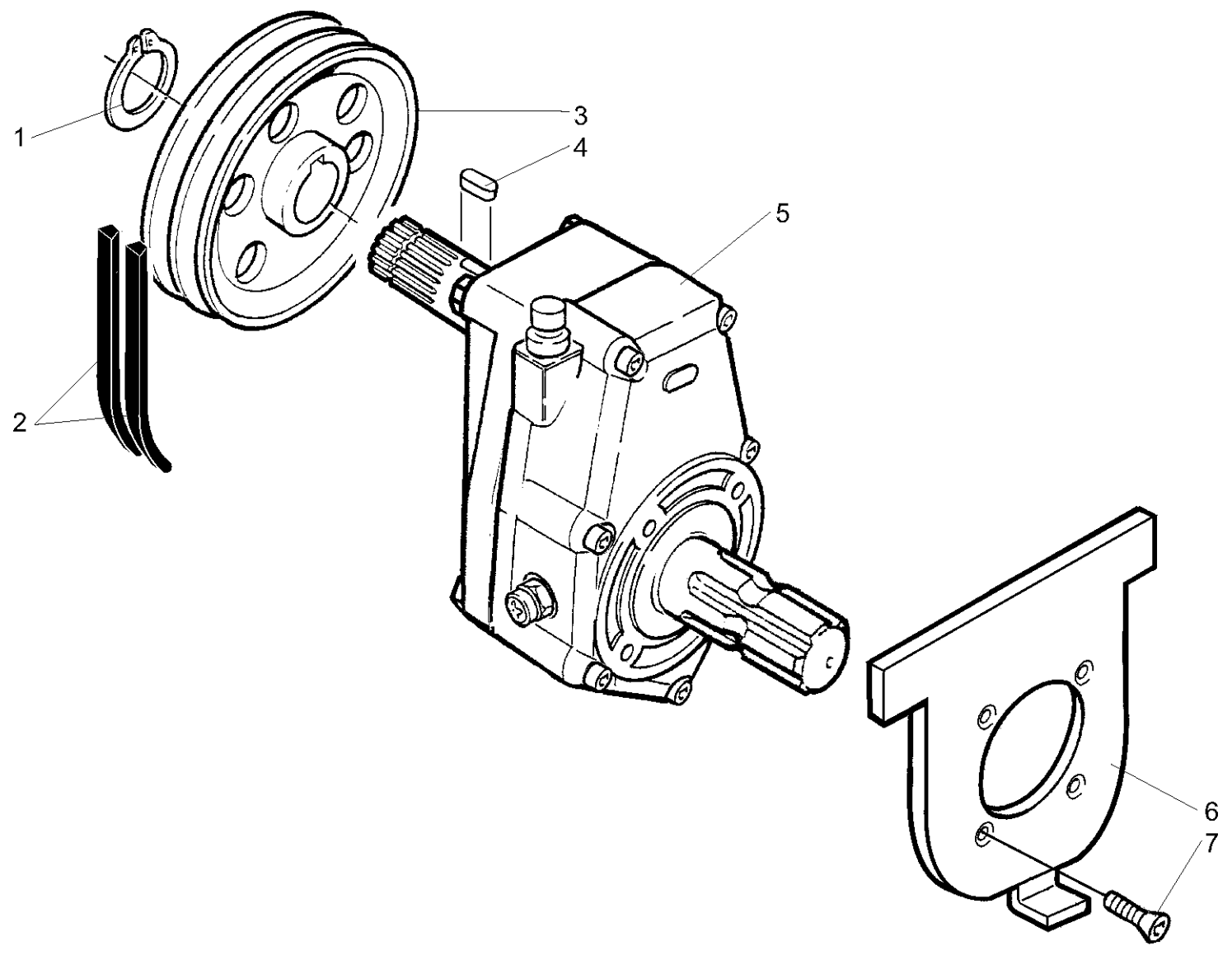




PTO anteriore / A

Prise de force frontal / A - Frontzapfwelle / A - Front P.T.O. / A - Toma de fuerza delantera / A

Rel. 0405





TERATRAC

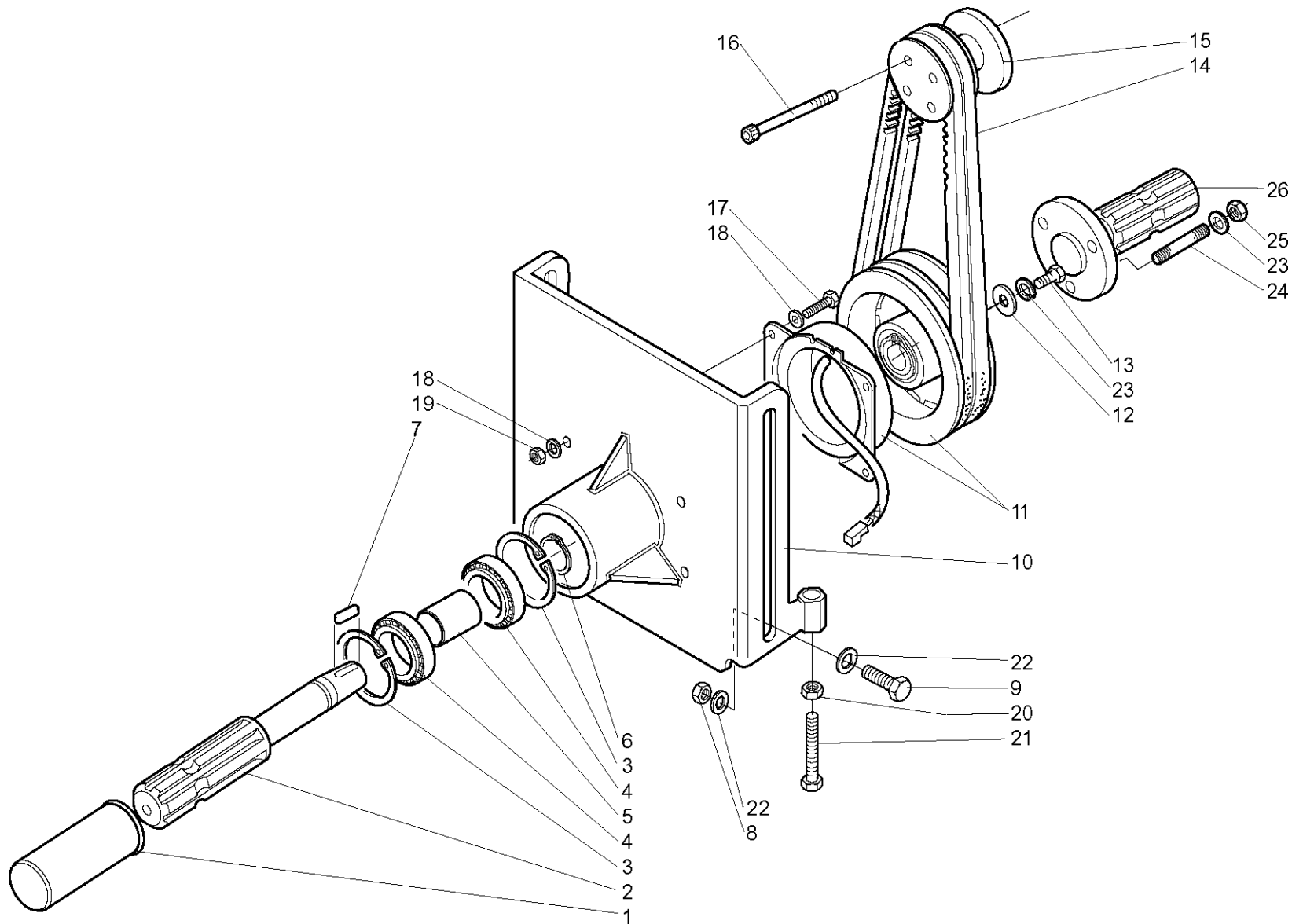
Tav. 20

B0082

PTO anteriore / B

Prise de force frontal / B - Frontzapfwelle / B - Front P.T.O. / B Toma de fuerza delantera / B

Rel. 0405



**Tav. 20****PTO anteriore / B****Prise de force frontal / B - Frontzapfwelle / B - Front P.T.O. / B Toma de fuerza delantera / B**

B0082

Pos.	Code	N°						
Rel. 0405	1	9901678	1	PROTEZIONE PTO ANT. IN PLASTICA	Schutzkappe	Schild	Protection	Protección
	2	5301624	1	ALBERO PTO ANT.2/4RM HAKO	Zapfwelle	P.T.O. Shaft	Arbre	Toma De Fuerza
	3	9058002	2	ANELLO SEEGER Ø 52 I DIN 472	Sicherungsring	Lock Ring	Bague D'Arret	Arandela De Freno
	4	9102005	2	CUSC.A SFERE 6305 2RS	Kugellager	Bearing	Roulement	Cojinete
	5	5301628	1	DISTANZIALE ALBERO PTO ANT.	Distanzstück	Spacer	Entretoise	Separador
	6	9059005	1	ANELLO SEEGER Ø 25 E DIN 471	Sicherungsring	Lock Ring	Bague D'Arret	Arandela De Freno
	7	9018015	1	LINGUETTA 4X5X12 AM	Paßfeder	Feather Key	Languette	Chaveta
	8	9024005	4	DADO AUTOBL.ALTO M 10 PASS. UNI 7473	Mutter	Nut	Ecrou	Tuerca
	9	9011021	2	VITE TE M 10 X 35 PASS. UNI 5739 TF	Schraube	Screw	Vis	Tornillo
	10	5301690	1	PIASTRA PORTA FRIZ. ELETTR. 2RM ASS.	Platte Für 1700D	Plate	Paque	Placa
	11	3702575	1	FRIZIONE ELETTR.AC6 CON MOZZO ANT.	Magnetkupplung	Clutch	Embrayage	Enembrague
	12	9052010	1	ROSETTA PIANA M 8 X 24 PASS.	Unterlegscheibe	Washer	Rondelle	Arandela
	13	9011003	1	VITE TE M 8 X 25 PASS.	Schraube	Screw	Vis	Tornillo
	14	9901514	2	CINGHIA TRAP.TIPO AX 33	Keilriemen Ax 33	V-Belt	Courroie	Correa
	15	5301678	1	PULEGGIA PRIM. DP 91MM MOTORE LDW 702	Keilriemenscheibe	Pouley	Poulie	Polea
	16	9012104	4	VITE TCEI M 8 X 85 PASS. UNI 5931	Schraube	Screw	Vis	Tornillo
	17	9011025	4	VITE TE M 6 X 22 PASS. UNI 5739 TF	Schraube	Screw	Vis	Tornillo
	18	9052006	8	ROSETTA PIANA M 6 PASS. UNI 6592	Unterlegscheibe	Washer	Rondelle	Arandela
	19	9023003	4	DADO AUTOBL.BASSO M 6 PASS. UNI 7474	Mutter	Nut	Ecrou	Tuerca
	20	9031005	2	DADO BASSO M 8 PASS. UNI 5589	Mutter	Nut	Ecrou	Tuerca
	21	9011090	2	VITE TE M 8 X 80 PASS. UNI 5739 TF	Schraube	Screw	Vis	Tornillo
	22	9052001	4	ROSETTA PIANA M 10 PASS. UNI 6592	Unterlegscheibe	Washer	Rondelle	Arandela
	23	9053001	5	ROSETTA SCHONOR Ø 8 PASS.	Unterlegscheibe	Washer	Rondelle	Arandela
	24	9040030	3	PRIGIONIERO M 8 X 22 PASS. (SOLO 2RM)	Stiftschraube	Stud Bolt	Prisonnier	Esparrago
	25	9024002	3	DADOAUTOBL.ALTO M 8PASS.UNI7473 (SOLO2RM)	Mutter	Nut	Ecrou	Tuerca
	26	3702609	1	ALBERO PTO VENTRALE TOS. (SOLO 2RM)	Welle	P.T.O. Shaft	Arbre	Arbol



Rel. 0405

1 — BARBIERI

