



Indice tavole - *Contents* - Inhaltsverzeichnis - *Table de materies* - Índice **TEMPO**

| | | | | | |
|---------|-----------------|---------------|---------------|-------------------|------------------------|
| Tav. 01 | GRUPPO TELAIO | Rahmen | Body | Chassis | Bastidor |
| Tav. 02 | GRUPPO STEGOLE | Führungsholme | Handlebars | Mancherons | Manillar |
| Tav. 03 | GRUPPO CAMBIO | Getriebe | Gearbox | Boîte de Vitesses | Caja de cambio |
| Tav. 04 | GRUPPO RUOTE | Rädern | Wheels | Roues | Ruedas |
| Tav. 05 | CESTO SPAZZOLA | Korb | Collector | Bac de Ramassage | Cesto recojedor Ruedas |
| Tav. 06 | GRUPPO SPAZZOLA | Kehrmaschine | Sweeper | Balais | Barredora |
| Tav. 07 | RIDUTTORE SCOPA | Kehrantrieb | Reductor gear | Boîte | Caja |
| Tav. 08 | PALA | Schild | Blade | Pelle | Pala |





TEMPO

rel.02_05

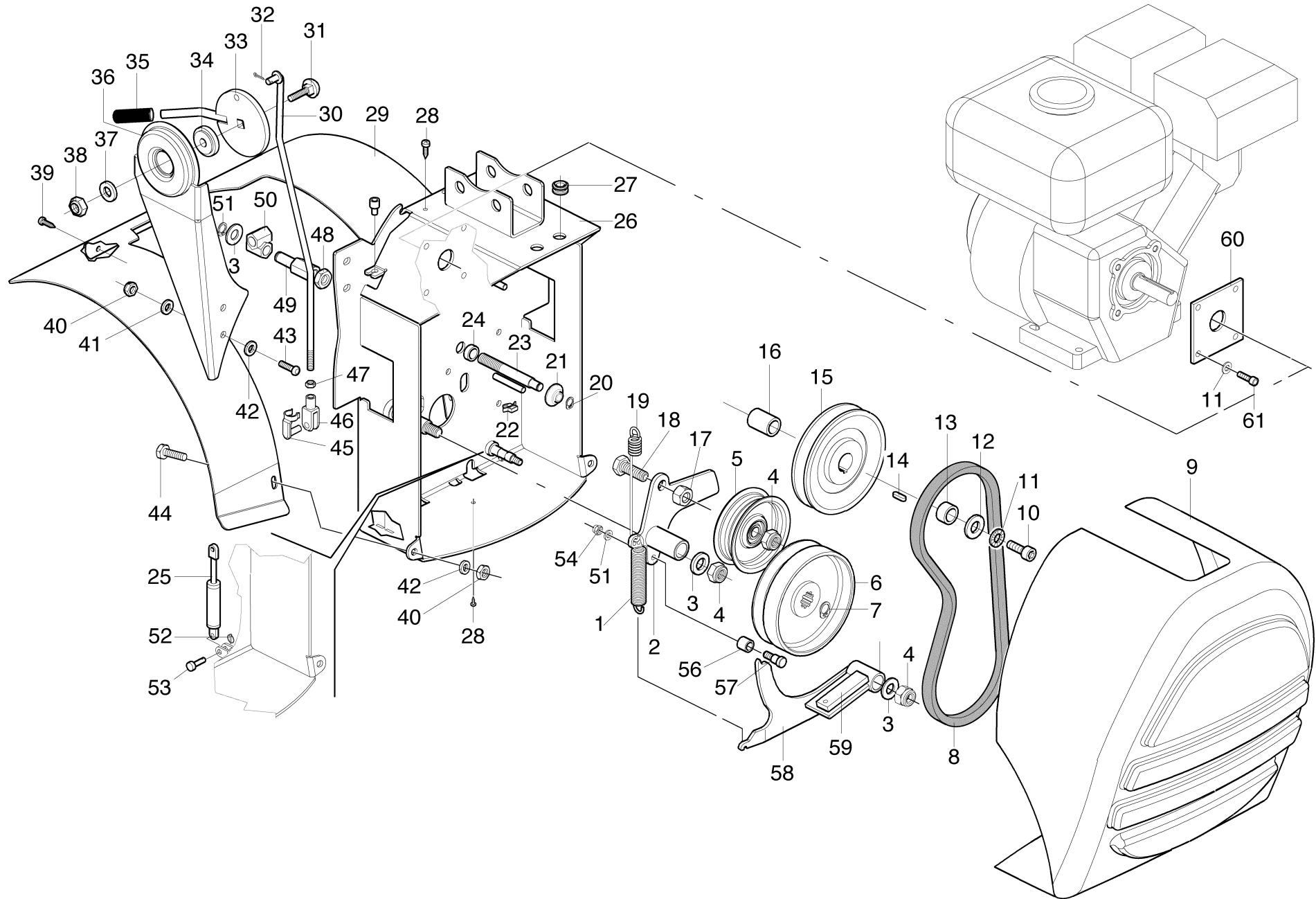
Tav. 01

B0159

HOME

GRUPPO TELAIO

Rahmen - Body - Chassis - Bastidor





B0159

Rahmen - Body - Chassis - Bastidor

HOME

| Pos. | Code | N° |
|------|------|----|
|------|------|----|

| | | | | | | | |
|----|----------|---|-------------------------------------|-------------------|----------------|-----------------|----------------|
| 1 | 7001578 | 1 | MOLLA TENDICINGHIA | Feder | Spring | Ressort | Resorte |
| 2 | 7001666A | 1 | LEVA TENDICINGHIA ASS. TEMPO | Hebel | Lever | Levier | Palanca |
| 3 | 9052001 | 2 | ROSETTA PIANA M 10 PASS. UNI 6592 | Unterlegscheibe | Washer | Rondelle | Arandela |
| 4 | 9023007 | 1 | DADO AUT.B. M 10 PASS. UNI 7474 | Mutter | Nut | Ecrou | Tuerca |
| 5 | 7001569 | 2 | PULEGGIA TENDICINGHIA MF26 | Keilriemenscheibe | Pouley | Poulie | Polea |
| 6 | 7001546 | 1 | PULEGGIA CAMBIO MC26 | Keilriemenscheibe | Pouley | Poulie | Polea |
| 7 | 9059017 | 2 | ANELLO SEEGER ø 17 E DIN 471 | Ring | Ring | Bague | Anillo |
| 8 | 9901824 | 1 | CINGHIA TRAP. OPTIBEL 4L 280 | Keilriemen | V-belt | Courroie | Correa |
| 9 | 7003663 | 1 | CARTER POSTERIORE MF TEMPO | Abdeckung | Lid | Couvercle | Tapa |
| 10 | 9003101 | 1 | VITE TCEI UNF 5/16-24X1" N | Schraube | Screw | Vis | Tornillo |
| 11 | 9053001 | 1 | ROSETTA SCHNORR ø 8 PASS. | Unterlegscheibe | Washer | Rondelle | Arandela |
| 12 | 9052010 | 1 | ROSETTA PIANA M 8 X 24 PASS. | Unterlegscheibe | Washer | Rondelle | Arandela |
| 13 | 7001526 | 1 | DISTANZIALE | Distanzstück | Spacer | Entretoise | Separador |
| 14 | 9019029 | 1 | LINGUETTA 4.8X4.8X31 UNI 6604/A | Lasche | Feather key | Languette | Linguete |
| 15 | 7001547 | 1 | PULEGGIA MOTORE MC26 | Keilriemenscheibe | Pouley | Poulie | Polea |
| 16 | 7001524 | 1 | DISTANZIALE L= 8,5 ø 19X25 | Distanzstück | Spacer | Entretoise | Separador |
| 17 | 9032003 | 1 | DADO ALTO M 10 PASS. UNI 5587 | Mutter | Nut | Ecrou | Tuerca |
| 18 | 9011006 | 1 | VITE TE M 10 X 30 PASS. UNI 5739 TF | Schraube | Screw | Vis | Tornillo |
| 19 | 7001688 | 1 | MOLLA TENDICINGHIA | Feder | Spring | Ressort | Resorte |
| 20 | 9059033 | 1 | ANELLO SEEGER ø 8 E DIN 471 | Ring | Ring | Bague | Anillo |
| 21 | 7001664A | 1 | RONDELLA PER DISINNESTO | Scheibe | Washer | Rondelle | Arandela |
| 22 | 9901132 | 1 | SUPP. FASCETTE IN NYLON MM. 8,2 | Halterung | Support | Support | Soporte |
| 23 | 7001663 | 1 | PERNO LEVA ESTERNA | Bolzen | Pin | Pivot | Perno |
| 24 | 9901133 | 1 | BOCCOLA MCM 10-03 | Büchse | Bushing | Douille | Casquillo |
| 25 | 9901731 | 1 | MOLLA PNEUMATICA CORSA 40 50N | Feder | Spring | Ressort | Resorte |
| 26 | 7001667 | 1 | CARTER PORTA PULEGGIE | Abdeckung | Lid | Couvercle | Tapa |
| 27 | 9901131 | 2 | PASSACAVO ø 8 IN PVC | Kabelendschuh | Cable Terminal | Embout De Cable | Terminal Cable |
| 28 | 9901375 | 3 | VITE AUTOF.TE 4,8 X 13 Z + ROSETTA | Schraube | Screw | Vis | Tornillo |
| 29 | 7001682 | 1 | PARAFANGO - TEMPO | Kotflügel | Mudguard | Garde-boue | Guardabarro |
| 30 | 7001687A | 1 | ASTA MARCIE ESTERNA - TEMPO | Schalthebel | Shift lever | Levier | Palanca |





B0159

Rahmen - Body - Chassis - Bastidor

HOME

| Pos. | Code | N° | | | | | |
|------|----------|----|------------------------------------|-----------------|------------|------------|----------------|
| 31 | 9004510 | 1 | VITE TTQST M 8 X 25 PASS. UNI 5732 | Schraube | Screw | Vis | Tornillo |
| 32 | 9035009 | 1 | COPIGLIA 2 X 30 PASS. UNI 1336 | Splint | Pin | Goupille | Clavija |
| 33 | 7001678 | 1 | LEVA ESTERNA INNESTO MARCE | Hebel | Lever | Levier | Palanca |
| 34 | 7001677 | 1 | DISTANZIALE PER LEVA MARCE | Distanzstück | Spacer | Entretoise | Separador |
| 35 | 9901236 | 1 | POMELLO ø 8 IN PVC L=37 | Griff | Hand-grip | Poignée | Empuñadura |
| 36 | 7001673A | 1 | SUPP.X LEVA ES.CAMBIO GX-GC160 | Halterung | Support | Support | Soporte |
| 37 | 9042021 | 1 | ROSETTA PIANA M 10 X 30 PASS. (FL) | Unterlegscheibe | Washer | Rondelle | Arandela |
| 38 | 9023001 | 1 | DADO AUT.BASSO M 8 PASS. UNI 7474 | Mutter | Nut | Ecrou | Tuerca |
| 39 | 9013402 | 2 | VITE AUTOF.TE 6 X 18 | Schraube | Screw | Vis | Tornillo |
| 40 | 9023003 | 2 | DADO AUT.BASSO M 6 PASS. UNI 7474 | Mutter | Nut | Ecrou | Tuerca |
| 41 | 9052006 | 2 | ROSETTA PIANA M 6 PASS. UNI 6592 | Unterlegscheibe | Washer | Rondelle | Arandela |
| 42 | 9042016 | 4 | ROSETTA PIANA M 6 X 18 PASS. | Unterlegscheibe | Washer | Rondelle | Arandela |
| 43 | 9014102 | 2 | VITE TBEI M 6 X 16 PASS. ISO 7380 | Schraube | Screw | Vis | Tornillo |
| 44 | 9011013 | 2 | VITE TE M 6 X 16 PASS. UNI 5739 TF | Schraube | Screw | Vis | Tornillo |
| 45 | 9901441 | 1 | CLIPS PER FORCELLA M 6 L=12 PASS. | Clips | Clips | Clips | Clips |
| 46 | 9901419 | 1 | FORCELLA FORO FIL. M 6 L=12 PASS. | Gabelstück | Fork | Fourche | Horquilla |
| 47 | 9031103 | 1 | DADO MEDIO M 6 PASS. UNI 5588 | Mutter | Nut | Ecrou | Tuerca |
| 48 | 9031004 | 1 | DADO BASSO M 10 PASS. UNI 5589 | Mutter | Nut | Ecrou | Tuerca |
| 49 | 7001698 | 1 | DISTANZIALE ESAGONALE | Distanzstück | Spacer | Entretoise | Separador |
| 50 | 9901001 | 1 | SNODO PER ASTA | Kugelgelenk | Ball Joint | Rotule | Junta Esferica |
| 51 | 9059022 | 1 | ANELLO SEEGER ø 10 E DIN 471 | Ring | Ring | Bague | Anillo |
| 52 | 9035029 | 1 | COPPIGLIA ø 2 x 15 | Splint | Pin | Goupille | Clavija |
| 53 | 9901827 | 1 | PERNO | Bolzen | Pin | Pivot | Perno |
| 54 | 9024006 | 1 | DADO AUT. ALTO M5 PASS. UNI 7473 | Mutter | Nut | Ecrou | Tuerca |
| 55 | 9043007 | 1 | ROSETTA SCHNOR ø 5 | Unterlegscheibe | Washer | Rondelle | Arandela |
| 56 | 9901860 | 1 | BOCCOLA AUTOLUB 08-10-10 | Büchse | Bushing | Douille | Casquillo |
| 57 | 7001715 | 1 | PERNO PER BOCC: AUTOLUB. | Bolzen | Pin | Pivot | Perno |
| 58 | 7001719 | 1 | LEVA FRENO X PULL. MOTORE | Hebel | Lever | Levier | Palanca |
| 59 | 7001717 | 1 | FERRODO X FRENO PULL. | Bremse | Braxe | Frein | Freno |
| 60 | 7001662 | 1 | PIASTRA DISTANZIALE | Platte | Plate | Paque | Placa |





TEMPO

rel.02_05

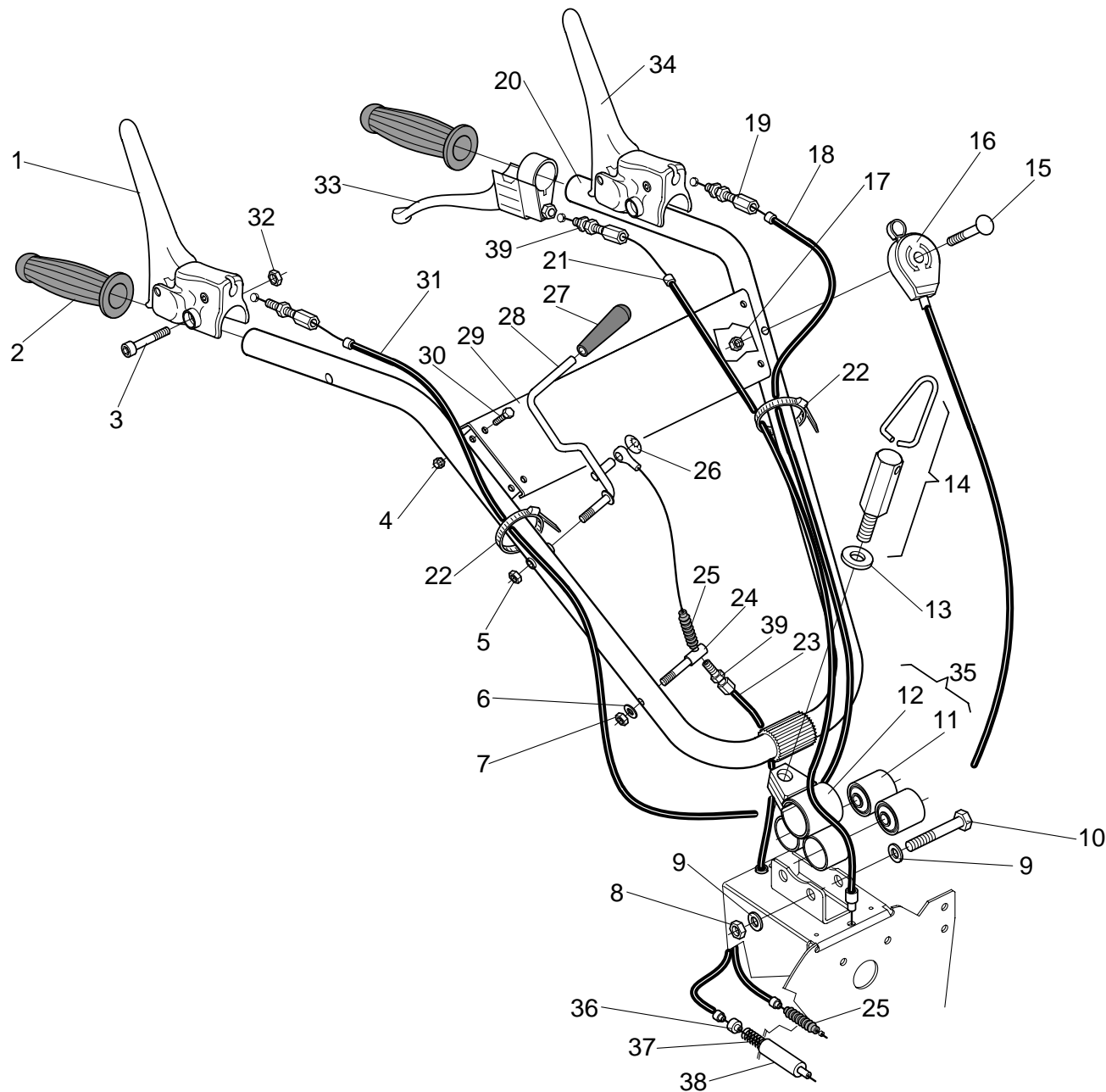
Tav. 02

B0095

HOME

GRUPPO STEGOLE

Führungsholme - Handlebars - Mancherons - Manillar





B0095

Führungsholme - Handlebars - Manchérons - Manillar

HOME

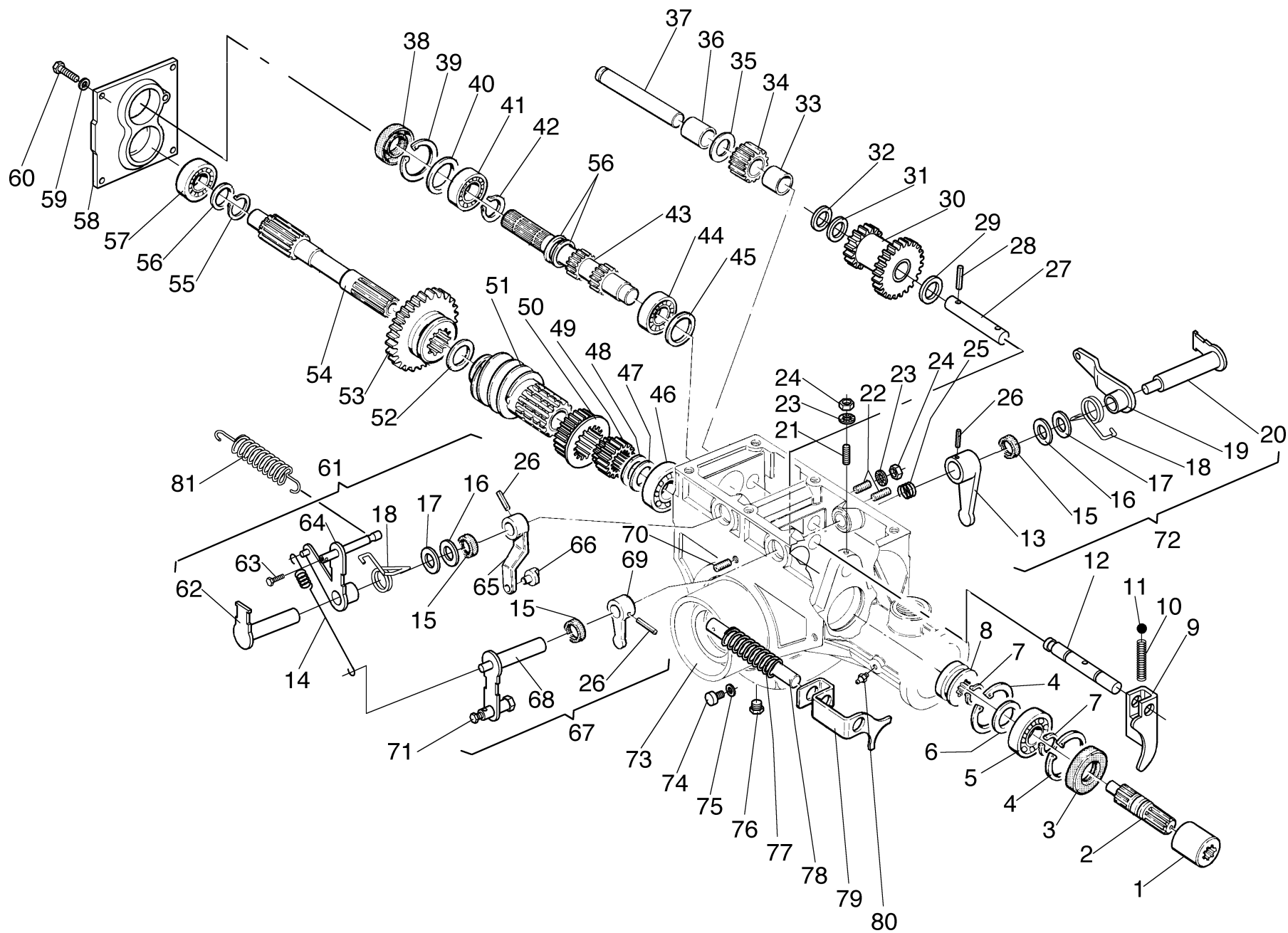
| Pos. | Code | N° | | | | | |
|------|---------|----|-------------------------------------|------------------------|--------------------|----------------------|---------------------|
| 1 | 9901819 | 1 | LEVA TENDICINGHIA | Hebel | Lever | Levier | Palanca |
| 2 | 9901821 | 2 | MANOPOLA CHIUSA ø 27 | Griff | Handle | Poignee | Manecilla |
| 3 | 9012050 | 2 | VITE TCEI M 8 X 40 PASS. UNI 5931 | Schraube | Screw | Vis | Tornillo |
| 4 | 9024003 | 1 | DADO AUT.ALTO M 6 PASS. UNI 7473 | Mutter | Nut | Ecrou | Tuerca |
| 5 | 9023001 | 1 | DADO AUT. BASSO M 8 PASS. UNI 7474 | Mutter | Nut | Ecrou | Tuerca |
| 6 | 9052002 | 1 | ROSETTA PIANA M 8 PASS. UNI 6592 | Unterlegscheibe | Washer | Rondelle | Arandela |
| 7 | 9024002 | 1 | DADO AUT.ALTO M 8 PASS. UNI 7473 | Mutter | Nut | Ecrou | Tuerca |
| 8 | 9023005 | 2 | DADO AUT.BASSO M 12 PASS. UNI 7474 | Mutter | Nut | Ecrou | Tuerca |
| 9 | 9052007 | 4 | ROSETTA PIANA M 12 PASS. UNI 6592 | Unterlegscheibe | Washer | Rondelle | Arandela |
| 10 | 9011105 | 2 | VITE TE M 12 X 65 PASS. UNI 5737 | Schraube | Screw | Vis | Tornillo |
| 11 | 9901818 | 2 | ANTIVIBRANTE ø 12X32 3440S | Gummipuffer | Cushion rubber | Tampon en caoutchouc | Supporte en gomme |
| 12 | - | 1 | NON FORNITO SINGOLARMENTE | Nicht Einzel lieferbar | Not supplied alone | Pas vendus tout soul | Indisponible suelto |
| 13 | 9052008 | 1 | ROSETTA PIANA M 14 PASS. UNI 6592 | Unterlegscheibe | Washer | Rondelle | Arandela |
| 14 | 0018247 | 1 | VITE FISSAGGIO STEGOLE MC34-MZ30 | Schraube | Screw | Vis | Tornillo |
| 15 | 9004515 | 1 | VITE TTQST M 6 X 60 PASS. UNI 5732 | Schraube | Screw | Vis | Tornillo |
| 16 | 7003661 | 1 | MANETTINO GAS CON TRASMISSIONE | Gashebel | Gas Lever | Manette | Palanquita Del Gas |
| 17 | 9023003 | 1 | DADO AUT.BASSO M 6 PASS. UNI 7474 | Mutter | Nut | Ecrou | Tuerca |
| 18 | 8995047 | 1 | TRASMISSIONE RM | Bowdenzüge | Transmission | Transmission | Transmision |
| 19 | 9045002 | 2 | VITE REGISTRO M 6 X 40 | Schraube | Screw | Vis | Tornillo |
| 20 | 4803507 | 1 | STEGOLE MF 48-34-26 | Fuehrungsholm | Handlebar | Mancheron | Manillar |
| 21 | 8995046 | 1 | TRASM. RUOTE TEMPO | Bowdenzüge | Transmission | Transmission | Transmision |
| 22 | 9901339 | 2 | FASCETTA MM 3,4 X 200 IN NYLON NERO | Schelle | Clamp | Collier | Abrazadera |
| 23 | 8995045 | 1 | TRASMISSIONE PTO | Bowdenzüge | Transmission | Transmission | Transmision |
| 24 | 7003631 | 1 | PIOLO SUPP. REGISTRO STERZO | Bolzen | Pin | Pivot | Perno |
| 25 | 9901823 | 3 | SOFFIETTO ø 8 X 2,5 | Balg | Rubber covering | Soufflet | Fuelle |
| 26 | 9901673 | 1 | ROSETTA FERMA BOTTONE | Unterlegscheibe | Washer | Rondelle | Arandela |
| 27 | 9901370 | 1 | MANOPOLA IN VINILE ø 8 X 100 | Griff | Handle | Poignee | Manecilla |
| 28 | 7003660 | 1 | LEVA SBLOC. PTO TEMPO ASS. | Hebel | Lever | Levier | Palanca |
| 29 | 5201983 | 1 | LAMIERA DI RINFORZO STEGOLE | Blech | Cover | Tôle | Chapa |
| 30 | 9014102 | 4 | VITE TBEI M 6 X 16 PASS. ISO 7380 | Schraube | Screw | Vis | Tornillo |





GRUPPO CAMBIO

Getriebe - Gearbox - Boîte de Vitesses - Caja de cambio



HOME



B0097

Getriebe - Gearbox - Boîte de Vitesses - Caja de cambio

HOME

| Pos. | Code | N° | | | | | |
|------|----------|----|---------------------------------|------------------------|--------------------|----------------------|---------------------|
| 1 | 7002511 | 1 | BOCCOLA DI GIUNZIONE | Büchse | Bushing | Douille | Casquillo |
| 2 | 7001513 | 1 | ALBERINO PTO | Welle | Shaft | Arbre | Eje |
| 3 | 9111019 | 1 | ANELLO TENUTA 20-42-7 | Ring | Ring | Bague | Anillo |
| 4 | 9058012 | 2 | ANELLO SEEGER ø 42 I DIN 472 | Ring | Ring | Bague | Anillo |
| 5 | 9101016 | 2 | CUSC.A SFERE 6004 | Kugellager | Bearing | Roulement | Cojinete |
| 6 | 8900017 | 2 | RASAMENTO 20,2-29,8-0,2 | Ring | Ring | Bague | Anillo |
| 7 | 9059001 | 2 | ANELLO SEEGER ø 20 E DIN 471 | Ring | Ring | Bague | Anillo |
| 8 | 7001514 | 1 | INNESTO PTO | Kupplungshälfte | Slider | Moite embrayage | Inesto |
| 9 | 7001534A | 1 | FORCELLA INT. CAMBIO MC27 | Gabelstuck | Fork | Fourche | Horquilla |
| 10 | 7001646 | 1 | MOLLA CAMBIO LASER | Feder | Spring | Ressort | Resorte |
| 11 | 9120007 | 1 | SFERA 9/32 ø 7,144 | Kugel | Ball | Sphere | Bola |
| 12 | 7001697 | 1 | ASTA INTERNA CAMBIO TEMPO | Schalthebel | Shift lever | Levier | Palanca |
| 13 | - | | NON FORNITO SINGOLARMENTE | Nicht Einzel lieferbar | Not supplied alone | Pas vendus tout soul | Indisponible suelto |
| 14 | 7001688 | 1 | MOLLA TENDICINGHIA TEMPO | Feder | Spring | Ressort | Resorte |
| 15 | 9111001 | 3 | ANELLO TENUTA 14-22-4 | Ring | Ring | Bague | Anillo |
| 16 | 8900072 | 3 | RASAMENTO 14,2-24,9-0,2 | Ring | Ring | Bague | Anillo |
| 17 | 8900010 | 3 | RASAMENTO 14,2-24,8-0,8 | Ring | Ring | Bague | Anillo |
| 18 | 7001653 | 3 | MOLLA LEVE CAMBIO MC26 S. | Feder | Spring | Ressort | Resorte |
| 19 | 7001665 | 1 | LEVA-1-CAMBIO ASS. - TEMPO | Hebel | Lever | Levier | Palanca |
| 20 | - | | NON FORNITO SINGOLARMENTE | Nicht Einzel lieferbar | Not supplied alone | Pas vendus tout soul | Indisponible suelto |
| 21 | 9046006 | 1 | GRANO M 6 X 16 PIANO UNI5923 | Schraube | Screw | Vis | Tornillo |
| 22 | 9048013 | 2 | GRANO M 6 X 25 CILINDRO UNI5925 | Schraube | Screw | Vis | Tornillo |
| 23 | 9043003 | 2 | ROSETTA SCHNORR ø 6 PASS. | Unterlegscheibe | Washer | Rondelle | Arandela |
| 24 | 9031002 | 2 | DADO BASSO M 6 PASS. UNI 5589 | Mutter | Nut | Ecrou | Tuerca |
| 25 | 7001587 | 1 | MOLLA RECUPERO GIOCO | Feder | Spring | Ressort | Resorte |
| 26 | 9131015 | 4 | SPINA SPIROL 5 X 30 | Spannstift | Spring Pin | Goupille Elastique | Pasador Elastico |
| 27 | 7001512 | 1 | ALBERINO SUPPORTO INGR.DOPPIO | Welle | Shaft | Arbre | Eje |
| 28 | 9132101 | 1 | SPINA ELASTICA 4 X 30 | Spannstift | Spring Pin | Goupille Elastique | Pasador Elastico |
| 29 | 8900019 | 2 | RASAMENTO 15,2-24,9-0,6 | Ring | Ring | Bague | Anillo |
| 30 | 7001511 | 1 | INGRANAGGIO DOPPIO | Zahnrad | Cogged wheel | Roue dentée | Rueda dentada |





B0097

Getriebe - Gearbox - Boîte de Vitesses - Caja de cambio

HOME

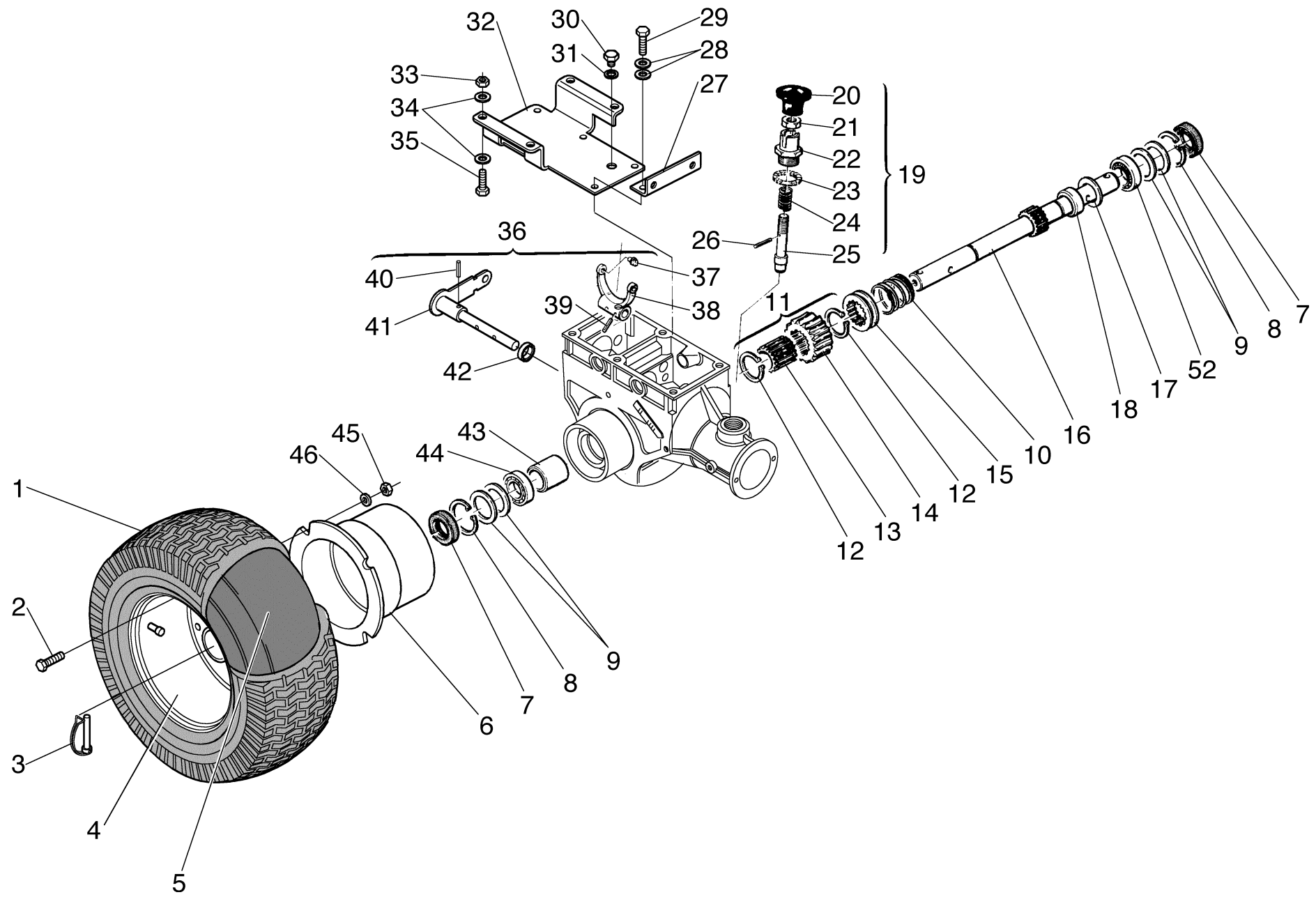
| Pos. | Code | N° | | | | | |
|------|----------|----|---------------------------------|-----------------|--------------|-------------|---------------|
| 31 | 8900023 | 2 | RASAMENTO 20,2-29,8-0.6 | Ring | Ring | Bague | Anillo |
| 32 | 8900069 | 1 | RASAMENTO 15,0-22,0-0,6 | Ring | Ring | Bague | Anillo |
| 33 | 7001550 | 1 | DISTANZIALE CORTO INGR.RM | Distanzstück | Spacer | Entretoise | Separador |
| 34 | 7001612C | 1 | INGRANAGGIO RM MC26 | Zahnrad | Cogged wheel | Roue dentée | Rueda dentada |
| 35 | 8900004 | 4 | RASAMENTO 14,2-21,9-0,3 | Ring | Ring | Bague | Anillo |
| 36 | 7001538 | 1 | DISTANZIALE LUNGO INGR.RM | Distanzstück | Spacer | Entretoise | Separador |
| 37 | 7001519 | 1 | ALBERINO SUPP.INGR. RM | Welle | Shaft | Arbre | Eje |
| 38 | 9111051 | 1 | ANELLO TENUTA 30-45-8 | Ring | Ring | Bague | Anillo |
| 39 | 9058013 | 1 | ANELLO SEEGER ø 35 I DIN 472 | Ring | Ring | Bague | Anillo |
| 40 | 8900064 | 1 | RASAMENTO 26,2-34,8-0,2 | Ring | Ring | Bague | Anillo |
| 41 | 9101018 | 1 | CUSC.A SFERE 6003 | Kugellager | Bearing | Roulement | Cojinete |
| 42 | 9059017 | 1 | ANELLO SEEGER ø 17 E DIN 471 | Ring | Ring | Bague | Anillo |
| 43 | 7001506C | 1 | ALBERO PRIMARIO BRAVO MF26/S | Welle | Shaft | Arbre | Arbol |
| 44 | 9101001 | 1 | CUSCINETTO A SFERE 6002 | Kugellager | Bearing | Roulement | Cojinete |
| 45 | 8900025 | 1 | RASAMENTO 25,2-31,8-0,6 | Ring | Ring | Bague | Anillo |
| 46 | 9101004 | 1 | CUSC.A SFERE 6204 | Kugellager | Bearing | Roulement | Cojinete |
| 47 | 8900068 | 1 | RASAMENTO 20,2-27,8-0,6 | Ring | Ring | Bague | Anillo |
| 48 | 8900022 | 1 | RASAMENTO 20,2-24,9-0,2 | Ring | Ring | Bague | Anillo |
| 49 | 7001510 | 1 | INGRANAGGIO FISSO Z 15 | Zahnrad | Cogged wheel | Roue dentée | Rueda dentada |
| 50 | 7001509A | 1 | INGRANAGGIO SELETTORE | Zahnrad | Cogged wheel | Roue dentée | Rueda dentada |
| 51 | 7001613A | 1 | VITE SENZA FINE | Schraube | Screw | Vis | Tornillo |
| 52 | 9107012 | 1 | RALLA PER CUSC. ASSIALI AS 2035 | Scheibe | Washer | Rondelle | Arandela |
| 53 | 7001508C | 1 | INGRANAGGIO INVERTITORE MF26/S | Zahnrad | Cogged wheel | Roue dentée | Rueda dentada |
| 54 | 7001507 | 1 | ALBERO X MC27 | Welle | Shaft | Arbre | Arbol |
| 55 | 9059005 | 1 | ANELLO SEEGER ø 25 E DIN 471 | Ring | Ring | Bague | Anillo |
| 56 | 8900056 | 3 | RASAMENTO 17,2-22,8-0,6 | Ring | Ring | Bague | Anillo |
| 57 | 9101002 | 1 | CUSCINETTO A SFERE 6203 | Kugellager | Bearing | Roulement | Cojinete |
| 58 | 7001645 | 1 | FLANGIA MOTORE MC26 BRAVO | Flansch | Flange | Bride | Brida |
| 59 | 9043002 | 4 | ROSETTA SCHNORR ø 10 NERA | Unterlegscheibe | Washer | Rondelle | Arandela |
| 60 | 9002011 | 4 | VITE TCEI M 10 X 25 N UNI 5931 | Schraube | Screw | Vis | Tornillo |





GRUPPO RUOTE

Rädern - Wheels - Roues - Ruedas



HOME



B0100

Rädern - Wheels - Roues - Ruedas

HOME

| Pos. | Code | N° | | | | | |
|------|---------|----|-------------------------------------|------------------------|--------------------|----------------------|---------------------|
| 1 | 9906245 | 2 | PNEUM. 13.500- 6 2PR GARDEN | Reifen | Tire | Pneumatique | Neumatico |
| 2 | 9011002 | 8 | VITE TE M 6 X 20 PASS. UNI 5739 TF | Schraube | Screw | Vis | Tornillo |
| 3 | 7001712 | 2 | COPPIGLIA Ø 8 x 45 | Splint | Pin | Goupille | Clavija |
| 4 | 9906669 | 2 | DISCO 2.50-6F LAT.SCOMP. CON ASOLA | Felgen | Rims | Jantes | Llantas |
| 5 | 9906435 | 2 | CAMERA 13.5.00-6 | Luftschlauch | Innertube | Chambre A Air | Camara De Aire |
| 6 | 7004509 | 2 | COPRIMOZZO CM. 94 LUNGO | Schutz | Schild | Protection | Protección |
| 7 | 9112005 | 2 | ANELLO TENUTA 25-47-7 DOPPIO LABBRO | Ring | Ring | Bague | Anillo |
| 8 | 9058003 | 2 | ANELLO SEEGER ø 47 I DIN 472 | Ring | Ring | Bague | Anillo |
| 9 | 8900035 | 2 | RASAMENTO 38,3-46,7-0,2 | Ring | Ring | Bague | Anillo |
| 10 | 7001523 | 1 | MOLLA INNESTO RUOTA | Feder | Spring | Ressort | Resorte |
| 11 | 7001621 | 1 | CORONA IN BRONZO E MANICOTTO | Zahnkranz | Ring Gear | Couronne Dentee | Corona Dentada |
| 12 | 9059007 | 2 | ANELLO SEEGER ø 35 E DIN 471 | Ring | Ring | Bague | Anillo |
| 13 | - | | NON FORNITO SINGOLARMENTE | Nicht Einzel lieferbar | Not supplied alone | Pas vendus tout soul | Indisponible suelto |
| 14 | - | | NON FORNITO SINGOLARMENTE | Nicht Einzel lieferbar | Not supplied alone | Pas vendus tout soul | Indisponible suelto |
| 15 | 7001516 | 1 | INNESTO RUOTA | Kupplungshälfte | Slider | Moite embrayage | Inesto |
| 16 | 7001659 | 1 | ALBERO RUOTA CON DOPPIO FORO | Welle | Shaft | Arbre | Arbol |
| 17 | 8900065 | 1 | RASAMENTO 25,2-42,0-1,0 | Ring | Ring | Bague | Anillo |
| 18 | 7001537 | 1 | DISTANZIALE SX | Distanzstück | Spacer | Entretoise | Separador |
| 19 | 7001630 | 1 | ATTACCO RAPIDO ASSIEME | Schnellkuppler | Quick Fitting | Prise Rapide | Enganche Rapido |
| 20 | 9901215 | 1 | POMELLO M 12 SFERICO | Griff | Hand-grip | Poignée | Empuñadura |
| 21 | 9031001 | 1 | DADO BASSO M 12 PASS. UNI 5589 | Mutter | Nut | Ecrou | Tuerca |
| 22 | 7001530 | 1 | DADO SPEC. X INN.RAPIDO | Mutter | Nut | Ecrou | Tuerca |
| 23 | 9054201 | 1 | ROSETTA DENTELLATA I M 24 PASS. | Unterlegscheibe | Washer | Rondelle | Arandela |
| 24 | 0004100 | 1 | MOLLA SPERONE | Feder | Spring | Ressort | Resorte |
| 25 | 7001566 | 1 | PIOLO ATTACCO RAPIDO | Schnellkuppler | Quick Fitting | Prise Rapide | Enganche Rapido |
| 26 | 9131003 | 1 | SPINA SPIROL 5 X 24 | Spannstift | Spring Pin | Goupille Elastique | Pasador Elastico |
| 27 | 7001683 | 1 | ATTACCO PER PARAFANGO TEMPO | Halterung | Support | Support | Soporte |
| 28 | 9043001 | 6 | ROSETTA SCHNORR ø 8 NERA | Unterlegscheibe | Washer | Rondelle | Arandela |
| 29 | 9011005 | 6 | VITE TE M 8 X 20 PASS. UNI 5739 TF | Schraube | Screw | Vis | Tornillo |
| 30 | 9901661 | 1 | TAPPO SFIATO OLIO 3/8" GAS MINTOR | Stopfen | Cap | Bouchon | Tapòn |





TEMPO

rel.02_05

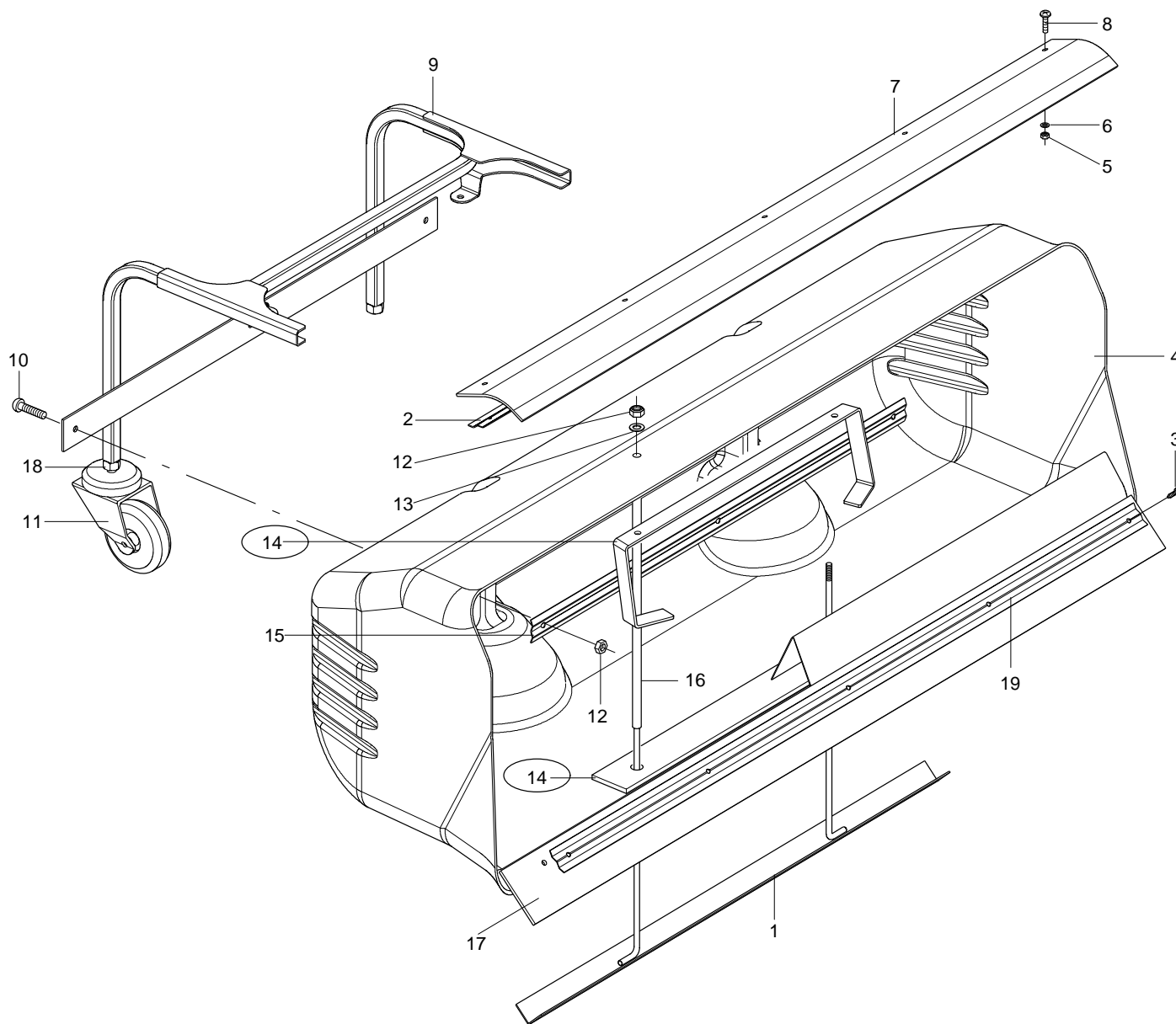
Tav. 05

B0160

HOME

CESTO SPAZZOLA

Korb - Collector - Bac de Ramassage - Cesto recojedor





Tav. 05

CESTO SPAZZOLA

Korb - Collector - Bac de Ramassage - Cesto recojedor

B0160

HOME

| Pos. | Code | N° |
|------|------|----|
|------|------|----|

| Pos. | Code | N° | | | | | |
|------|----------|----|-----------------------------------|-----------------|---------------|------------------|-----------------|
| 1 | 7005656A | 1 | RINFORZO CESTO | Verstaerkung | Reinforcement | Renfort | Refuerzo |
| 2 | 7005689 | 1 | LAMIERA FISSA GOMMA X CESTO | Blech | Cover | Tôle | Chapa |
| 3 | 9013117 | 5 | VITE AUTOF. TCC M 4,2 X 16 NICH. | Schraube | Screw | Vis | Tornillo |
| 4 | 7005670 | 1 | CESTO DI RACCOLTA ABS CM 100 | Korb | Collector | Bac De Ramassage | Cesto Recojedor |
| 5 | 9024006 | 5 | DADO AUT.ALTO M 5 PASS. UNI 7473 | Mutter | Nut | Ecrou | Tuerca |
| 6 | 9052012 | 5 | ROSETTA PIANA M 5 UNI 6592 | Unterlegscheibe | Washer | Rondelle | Arandela |
| 7 | 7005691 | 1 | GOMMA SUP. | Gummi | Rubber | Gomme | Goma |
| 8 | 9013115 | 5 | VITE TB M 5 X 16 T. CROCE PASS. | Schraube | Screw | Vis | Tornillo |
| 9 | 7005680 | 1 | SUPP. CESTO SPAZZOLA | Halterung | Support | Support | Soporte |
| 10 | 9014102 | 3 | VITE TBEI M 6 X 16 PASS. ISO 7380 | Schraube | Screw | Vis | Tornillo |
| 11 | 9901826 | 2 | RUOTINO PER CESTO MF TEMPO | Rad | Wheel | Roue | Rueda |
| 12 | 9024003 | 4 | DADO AUT.ALTO M 6 PASS. UNI 7473 | Mutter | Nut | Ecrou | Tuerca |
| 13 | 9042016 | 2 | ROSETTA PIANA M 6 X 18 PASS. | Unterlegscheibe | Washer | Rondelle | Arandela |
| 14 | 5202033 | 2 | LAMA CESTO SPAZZOLA L=400 | Messer | Blade | Couteau | Cuchilla |
| 15 | 7005682 | 1 | LAMIERA FISSA TELAIO CESTO | Blech | Cover | Tôle | Chapa |
| 16 | 7005661 | 2 | TUBO DISTANZIALE X CESTO | Rohr | Hose | Tuyau | Tube |
| 17 | 7005690 | 1 | GOMMA INF. | Gummi | Rubber | Gomme | Goma |
| 18 | 9031004 | 2 | DADO BASSO M 10 PASS. UNI 5589 | Mutter | Nut | Ecrou | Tuerca |
| 19 | 7005698 | 1 | LAMIERA INF. PER GOMMA CESTO | Blech | Cover | Tôle | Chapa |

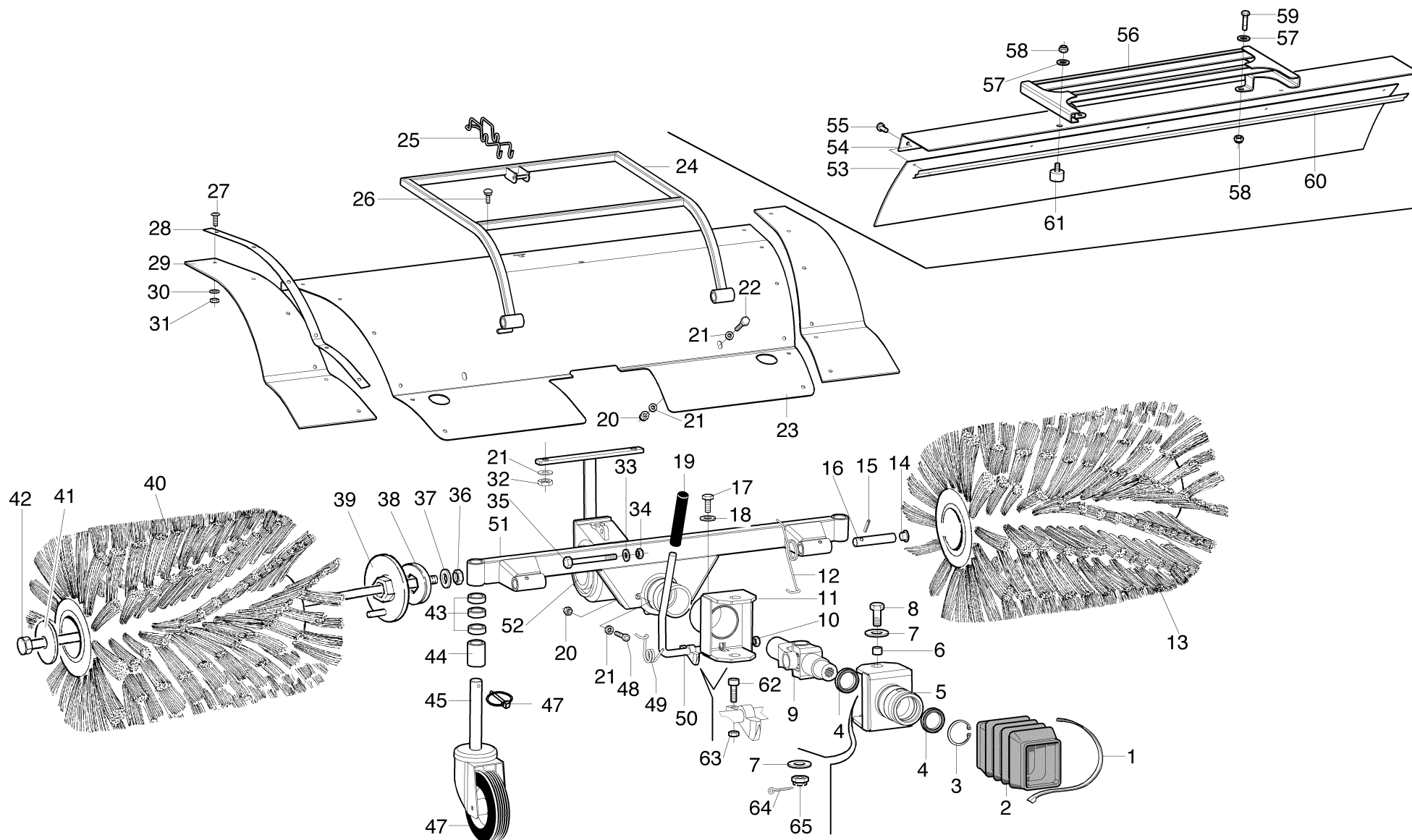




GRUPPO SPAZZOLA

Kehrmaschine - Sweeper - Balais - Barredora

HOME





B0161

Kehrmaschine - Sweeper - Balais - Barredora

HOME

| Pos. | Code | N° |
|------|------|----|
|------|------|----|

| | | | | | | | |
|----|---------|----|-------------------------------------|-----------------|-----------------|--------------------|------------------|
| 1 | 9901763 | 2 | FASCETTA MM 8 X 500 IN NYLON NERO | Schelle | Clamp | Collier | Abrazadera |
| 2 | 5202014 | 1 | SOFFIETTO DI PROTEZ. CARDANO SPAZZ. | Balg | Rubber covering | Soufflet | Fuelle |
| 3 | 9058012 | 1 | ANELLO SEEGER ø 42 I DIN 472 | Ring | Ring | Bague | Anillo |
| 4 | 9102027 | 2 | CUSC.A SFERE 61806 2RS | Kugellager | Bearing | Roulement | Cojinete |
| 5 | 7005644 | 1 | SNODO FISSO | Gelenk | Articulation | Articulation | Articulacion |
| 6 | 5201935 | 2 | BOCCOLA ROTAZIONE | Büchse | Bushing | Douille | Casquillo |
| 7 | 9042021 | 2 | ROSETTA PIANA M 10 X 30 PASS. (FL) | Unterlegscheibe | Washer | Rondelle | Arandela |
| 8 | 7005702 | 2 | VITE TE M 10 X 30 PASS. FORATA | Schraube | Screw | Vis | Tornillo |
| 9 | 7005653 | 1 | GIUNTO CARDANICO | Cardangelenk | Universal Joint | Cardan | Cardan |
| 10 | 9023005 | 1 | DADO AUT.BASSO M 12 PASS. UNI 7474 | Mutter | Nut | Ecrou | Tuerca |
| 11 | 7005681 | 1 | SNODO MOBILE | Gelenk | Articulation | Articulation | Articulacion |
| 12 | 7001671 | 1 | MOLLA TELAIO SCOPA TEMPO | Feder | Spring | Ressort | Resorte |
| 13 | 7005684 | 1 | RULLO DX SPAZZOLA CM.100 SCOPA | Walze | Roll | Rouleau | Rodillo |
| 14 | 9901129 | 2 | TAPPO TESTA DI TUBO ø 18 | Stopfen | Cap | Bouchon | Tapòn |
| 15 | 9131003 | 2 | SPINA SPIROL 5 X 24 | Spannstift | Spring Pin | Goupille Elastique | Pasador Elastico |
| 16 | 7005667 | 2 | PERNO X TELAIO SPAZZOLA | Bolzen | Pin | Pivot | Perno |
| 17 | 3702035 | 1 | VITE FISSAGGIO SPAZZOLA | Schraube | Screw | Vis | Tornillo |
| 18 | 9052004 | 1 | ROSETTA PIANA M 16 PASS. UNI 6592 | Unterlegscheibe | Washer | Rondelle | Arandela |
| 19 | 9901236 | 1 | POMELLO ø 8 IN PVC L=37 | Griff | Hand-grip | Poignée | Empuñadura |
| 20 | 9024002 | 2 | DADO AUT.ALTO M 8 PASS. UNI 7473 | Mutter | Nut | Ecrou | Tuerca |
| 21 | 9052002 | 12 | ROSETTA PIANA M 8 PASS. UNI 6592 | Unterlegscheibe | Washer | Rondelle | Arandela |
| 22 | 9011018 | 2 | VITE TE M 8 X 16 PASS. UNI 5739 TF | Schraube | Screw | Vis | Tornillo |
| 23 | 7005678 | 1 | COFANO PER SPAZZOLA DA CM 100 | Haube | Cover | Capot | Cofano |
| 24 | 7005676 | 1 | QUADRO TELAIO | Rahmen | Frame | Chassis | Bastidor |
| 25 | 7001670 | 1 | MOLLA FISSA CESTO TEMPO | Feder | Spring | Ressort | Resorte |
| 26 | 9004501 | 2 | VITE TTQST M 8 X 16 PASS. UNI 5732 | Schraube | Screw | Vis | Tornillo |
| 27 | 9013115 | 8 | VITE TB M 5 X 16 T. CROCE PASS. | Schraube | Screw | Vis | Tornillo |
| 28 | 7005686 | 2 | LAMIERINO FISSA GOMMA X SPAZ. | Halteblech | Plate | Tole | Chapita |
| 29 | 7005685 | 2 | GOMMA LATERALE | Gummi | Rubber | Gomme | Goma |
| 30 | 9052012 | 8 | ROSETTA PIANA M 5 PASS. UNI 6592 | Unterlegscheibe | Washer | Rondelle | Arandela |





B0161

Kehrmaschine - Sweeper - Balais - Barredora

HOME

| Pos. | Code | N° |
|------|------|----|
|------|------|----|

| | | | | | | | |
|----|----------|---|------------------------------------|-----------------|-------------------|--------------------|------------------|
| 31 | 9024006 | 8 | DADO AUT. ALTO M 5 PASS. UNI 7473 | Mutter | Nut | Ecrou | Tuerca |
| 32 | 9032002 | 2 | DADO ALTO M 8 PASS. UNI 5587 | Mutter | Nut | Ecrou | Tuerca |
| 33 | 9052001 | 2 | ROSETTA PIANA M 10 PASS. UNI 6592 | Unterlegscheibe | Washer | Rondelle | Arandela |
| 34 | 9023007 | 1 | DADO AUT.BASSO M 10 PASS. UNI 7474 | Mutter | Nut | Ecrou | Tuerca |
| 35 | 9011110 | 1 | VITE TCEI M 10X110 PASS. UNI 5737 | Schraube | Screw | Vis | Tornillo |
| 36 | 9024007 | 1 | DADO AUT.ALTO M 12 PASS. UNI 7473 | Mutter | Nut | Ecrou | Tuerca |
| 37 | 9052007 | 1 | ROSETTA PIANA M 12 PASS. UNI 6592 | Unterlegscheibe | Washer | Rondelle | Arandela |
| 38 | 5202006 | 2 | COPERCHIO PARAPOLVERE ES.20 H = 8 | Deckel | Cover | Couvercle | Tapa |
| 39 | 5201916 | 2 | FLANGIA TRASCINA RULLO PASS. ASS. | Flansch | Flange | Bride | Brida |
| 40 | 7005687 | 1 | RULLO SX SPAZZOLA CM.100 | Walze | Roll | Rouleau | Rodillo |
| 41 | 5201914 | 2 | ROSETTA ø 70 PER SPAZZOLA | Unterlegscheibe | Washer | Rondelle | Arandela |
| 42 | 7005688 | 1 | TIRANTE M12 X 930 RULLI SPAZZOLA | Zugbolzen | Tie rod | Tirant | Tirante |
| 43 | 3701919 | 6 | DISTANZIALE PIEDINO CORTO L=10 | Distanzstück | Spacer | Entretoise | Separador |
| 44 | 5201954 | 2 | DISTANZIALE RUOTINO AVVOLGI TELO | Distanzstück | Spacer | Entretoise | Separador |
| 45 | 5201918A | 2 | PERNO PER RUOTINO SPAZZOLA | Bolzen | Pin | Pivot | Perno |
| 46 | 3702037 | 2 | RUOTINO SOSTEGNO SPAZZOLA ANT. | Rad | Wheel | Roue | Rueda |
| 47 | 9901424 | 2 | SPINA A MOLLA ø 5 PASS. | Spannstift | Spring Pin | Goupille Elastique | Pasador Elastico |
| 48 | 9012023 | 2 | VITE TCEI M 8 X 20 PASS. UNI 5931 | Schraube | Screw | Vis | Tornillo |
| 49 | 7001672 | 1 | MOLLA SNODO CESTO TEMPO | Feder | Spring | Ressort | Resorte |
| 50 | 7005659 | 1 | LEVA SNODO SCOPA ASS. TEMPO | Hebel | Lever | Levier | Palanca |
| 51 | 7005652 | 1 | SUPP. COFANO SPAZZOLA | Halterung | Support | Support | Soporte |
| 52 | 0034911 | 1 | TRASMISSIONE | Antrieb | Transmission | Transmission | Transmission |
| 53 | 7005695 | 1 | TELO PARASPRUZZI | Abdeckung | Protection Shield | Protection | Paratia |
| 54 | 7005694 | 1 | LAMIERINO | Leiste | Plate | Bande | Banda |
| 55 | 9037103 | 5 | RIVETTO 4,8 X 16 | N let | Rivet | Rivet | Remache |
| 56 | 7005692 | 1 | TELAIO PARASPRUZZI | Rahmen | Frame | Chassis | Bastidor |
| 57 | 9052006 | 4 | ROSETTA PIANA M 6 PASS. UNI 6592 | Unterlegscheibe | Washer | Rondelle | Arandela |
| 58 | 9024003 | 4 | DADO AUT.ALTO M 6 PASS. UNI 7473 | Mutter | Nut | Ecrou | Tuerca |
| 59 | 9011013 | 2 | VITE TE M 6 X 16 PASS. UNI 5739 TF | Schraube | Screw | Vis | Tornillo |
| 60 | 7005689 | 1 | LAMIERA FISSA GOMMA X CESTO TEMPO | Blech | Cover | Tôle | Chapa |





TEMPO

rel.02_05

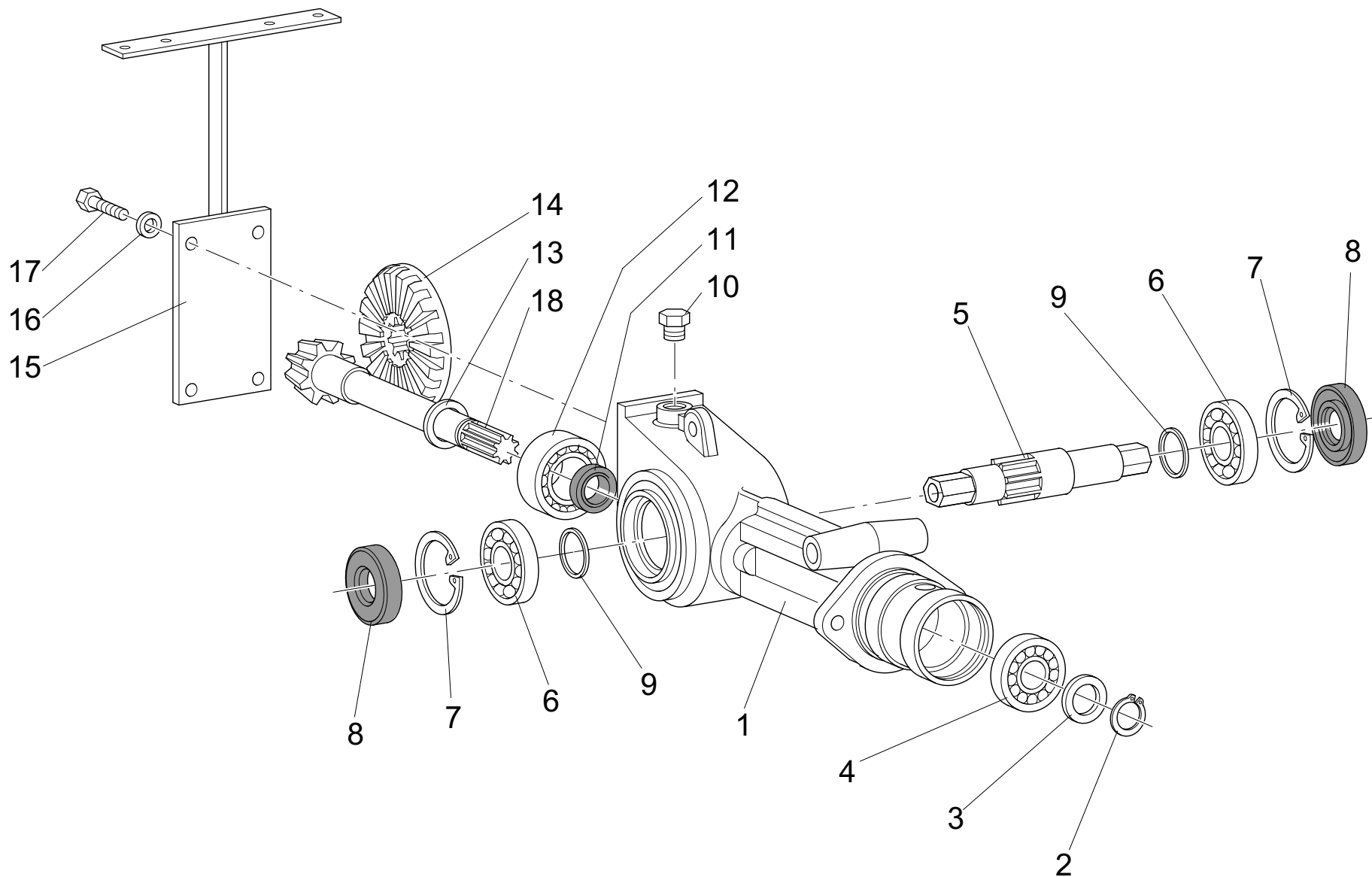
Tav. 07

B0103

HOME

RIDUTTORE SCOPA

Kehrantrieb - Reductor gear - Boîte - Caja

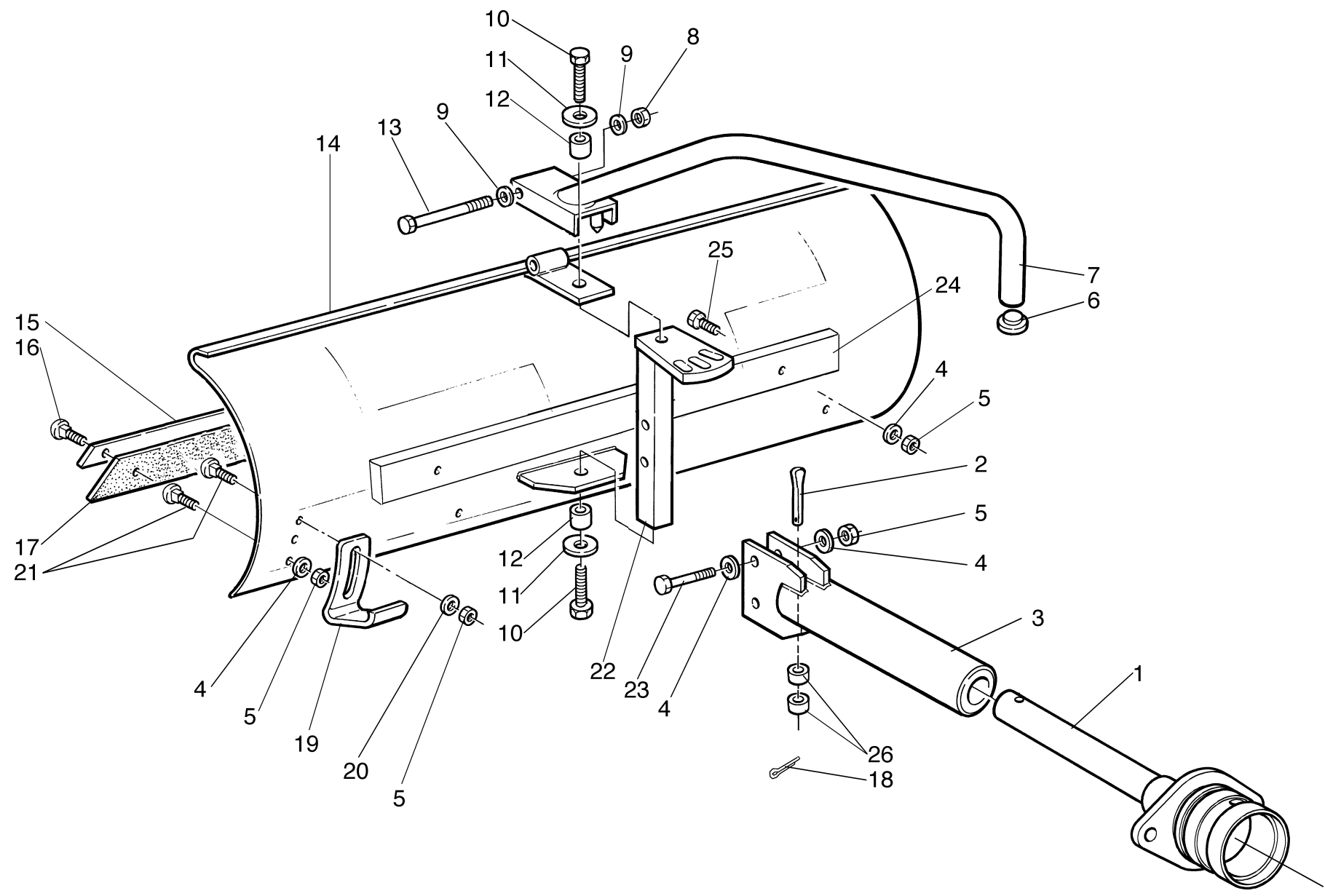




PALA

Schild - Blade - Pelle - Pala

HOME





Tav. 08

PALA

Schild - Blade - Pelle - Pala

B0121

HOME

| Pos. | Code | N° | | | | | |
|------|---------|----|-------------------------------------|-----------------|----------|----------|-----------|
| 1 | 7005625 | 1 | MANICOTTO FISSO PALA | Muffe | Coupling | Manchon | Manguito |
| 2 | 4001544 | 1 | SPINA RUOTINO S/50 | Stift | Pin | Goupille | Chaveta |
| 3 | 5201971 | 1 | MANICOTTO MOBILE PER PALA BRIO/2 | Muffe | Coupling | Manchon | Manguito |
| 4 | 9052002 | 11 | ROSETTA PIANA M 8 PASS. UNI 6592 | Unterlegscheibe | Washer | Rondelle | Arandela |
| 5 | 9024002 | 15 | DADO AUT.ALTO M 8 PASS. UNI 7473 | Mutter | Nut | Ecrou | Tuerca |
| 6 | 9901095 | 1 | TAPPO TESTA DI TUBO ø 22 | Stopfen | Cap | Bouchon | Tapòn |
| 7 | 5201972 | 1 | LEVA REGOLAZIONE PALA BRIO/2 | Hebel | Lever | Levier | Palanca |
| 8 | 9024007 | 1 | DADO AUT.ALTO M 12 PASS. UNI 7473 | Mutter | Nut | Ecrou | Tuerca |
| 9 | 9052007 | 2 | ROSETTA PIANA M 12 PASS. UNI 6592 | Unterlegscheibe | Washer | Rondelle | Arandela |
| 10 | 9011035 | 2 | VITE TE M 12 X 30 PASS. UNI 5739 TF | Schraube | Screw | Vis | Tornillo |
| 11 | 9901522 | 2 | ROSETTA PIANA M 12 X35X5 PASS. | Unterlegscheibe | Washer | Rondelle | Arandela |
| 12 | 5201973 | 2 | BOCCOLA ROTAZIONE PALA BRIO/2 | Büchse | Bushing | Douille | Casquillo |
| 13 | 9011037 | 1 | VITE TE M 12 X 80 PASS. UNI 5737 | Schraube | Screw | Vis | Tornillo |
| 14 | 7005626 | 1 | PALA CM. 100 | Schild | Blade | Pelle | Pala |
| 15 | 7005620 | 1 | PIATTO FISSA GOMMA CM 100 | Platte | Plate | Plaque | Placa |
| 16 | 9004513 | 5 | VITE TTQST M 8 X 30 PASS. UNI 5732 | Schraube | Screw | Vis | Tornillo |
| 17 | 7005628 | 1 | GOMMA PER PALA CM.100 MC27 | Gummi | Rubber | Gomme | Goma |
| 18 | 9035023 | 1 | COPIGLIA 3 X 20 PASS. UNI 1336 | Splint | Pin | Goupille | Clavija |
| 19 | 5201978 | 2 | SLITTA PER PALA BRIO/2 | Gleitbahn | Guide | Guide | Guia |
| 20 | 9052010 | 4 | ROSETTA PIANA M 8 X 24 PASS. | Unterlegscheibe | Washer | Rondelle | Arandela |
| 21 | 9004510 | 9 | VITE TTQST M 8 X 25 PASS. UNI 5732 | Schraube | Screw | Vis | Tornillo |
| 22 | 5201979 | 1 | RAGGIERA ROTAZIONE E POSIZ. PALA | Halterung | Support | Support | Soporte |
| 23 | 9011007 | 2 | VITE TE M 8 X 55 PASS. UNI 5737 | Schraube | Screw | Vis | Tornillo |
| 24 | 7005622 | 1 | ZAVORRA PALA MC27 | Zusatzgewicht | Ballast | Masse | Lastre |
| 25 | 9901764 | 2 | VITE TTQST M 8 X 45 PASS. | Schraube | Screw | Vis | Tornillo |
| 26 | 5201533 | 2 | ROSETTA FISS. PULEGGIA M 8X24X6,5 | Unterlegscheibe | Washer | Rondelle | Arandela |
| | | | | | | | |
| | | | | | | | |
| | | | | | | | |

