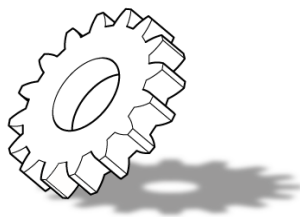




GHEPARD



IT - PARTI DI RICAMBIO
EN - SPARE PARTS
DE - ERSATZTEILE
FR - PIECES DE RECHANGE
ES - PIEZAS DE REPUESTO

REL. 0206



Indice tavole - Contents - Inhaltsverzeichnis - Table de materies - Índice **GHEPARD**

| | | | | | |
|---------|---------------------------------|-----------------|------------------|------------------------------|------------------------------|
| Tav. 01 | GRUPPO STEGOLE | Führungsholme | Handlebars | Mancherons | Manillar |
| Tav. 02 | LEVE CAMBIO | Schalthebel | Shift lever | Levier de vitesses | Palancas del cambio Bastidor |
| Tav. 03 | FRIZIONE | Kupplung | Clutch | Embrayage | Embrague |
| Tav. 04 | GRUPPO CAMBIO | Getriebe | Gearbox | Boîte de Vitesses | Caja de cambio |
| Tav. 05 | MOZZO RUOTE | Nabe | Hub | Moyeu | Cubo |
| Tav. 06 | GRUPPO FRENI | Bremsen | Brakes | Frein | Frenos |
| Tav. 07 | DIFFERENZIALE | Differenzial | Differencial | Diferencial | Diferencial |
| Tav. 08 | COFANATURA | Motorhaube | Engine cover | Capot | Capot |
| Tav. 09 | GAMBO FRESA | Antrieb | Transmission | Transmission | Grupo fresa |
| Tav. 10 | FRESA | Fräse | Tiller | Rotor | Cuchillas |
| Tav. 11 | TRASMISSIONE BARRA | Mähwerksantrieb | Mowing bar drive | Transmission barre de couple | Mecanismo barra de corte |
| Tav. 12 | BARRA "GARDEN" 107 - 127 | Balkenmäh | Mowing bar | Barre de couple | Barra de corte |
| Tav. 13 | BARRA ESM 122 | Balkenmäh ESM | ESM Mowing bar | Barre de couple ESM | Barra de corte ESM |
| Tav. 14 | BARRA FALC. SEMIFITTA 112 - 127 | Balkenmäh | Mowing bar | Barre de couple | Barra de corte |



GHEPARD

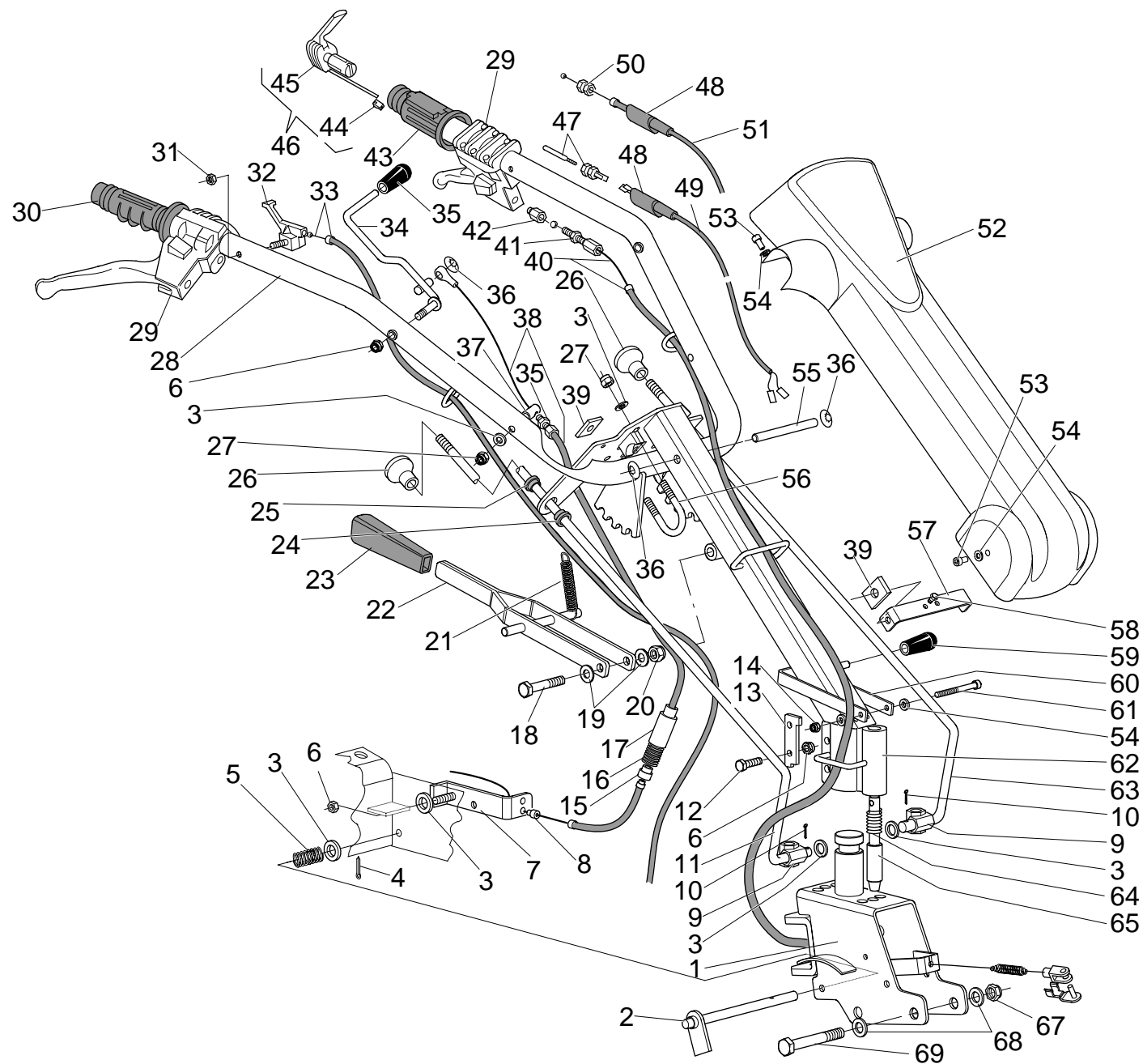
Tav. 01

B0102

GRUPPO STEGOLE

Führungsholme - Handlebars - Mancherons - Manillar

Rel. 0206





Führungsholme - Handlebars - Manchérons - Manillar

B0102

Pos. Code N°

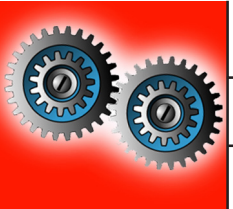
| Pos. | Code | N° | | | | | | |
|-----------|------|----------|---|--------------------------------------|-----------------|----------------|--------------|--------------|
| Rel. 0206 | 1 | 6803695A | 1 | BASE STERZO | Halterung | Support | Support | Soporte |
| | 2 | 6803508 | 1 | PERNO + LAMIERINO ASSIEME | Bolzen | Pin | Pivot | Perno |
| | 3 | 9052002 | 1 | ROSETTA PIANA M 8 PASS. UNI 6592 | Unterlegscheibe | Washer | Rondelle | Arandela |
| | 4 | 9035009 | 1 | COPIGLIA 2 X 30 PASS. UNI 1336 | Splint | Pin | Goupille | Clavija |
| | 5 | 1301045 | 1 | MOLLA INVERTITORE | Feder | Spring | Ressort | Resorte |
| | 6 | 9023001 | 1 | DADO AUT.BASSO M 8 PASS. UNI 7474 | Mutter | Nut | Ecrou | Tuerca |
| | 7 | 6803513 | 1 | SUPP. INVERTITORE | Halterung | Support | Support | Soporte |
| | 8 | 9901023 | 1 | BUSSOLA A GRADINO ø 10 | Buchse | Bush | Douille | Buje |
| | 9 | 9901001 | 2 | SNODO PER ASTA | Gelenk | Articulation | Articulation | Articulacion |
| | 10 | 9035006 | 2 | COPIGLIA 3 X 30 PASS. UNI 1336 | Splint | Pin | Goupille | Clavija |
| | 11 | 6803719 | 1 | ASTA CAMBIO MC68 NT ESTERNA | Schalthebel | Shift Lever | Levier | Palanca |
| | 12 | 9011010 | 2 | VITE TE M 8 X 30 PASS. UNI 5739 TF | Schraube | Screw | Vis | Tornillo |
| | 13 | 7003607 | 1 | PIASTRINA DISTANZIALE | Halteblech | Plate | Tole | Chapita |
| | 14 | 9024003 | 2 | DADO AUT.ALTO M 6 PASS. UNI 7473 | Mutter | Nut | Ecrou | Tuerca |
| | 15 | 9901030 | 1 | BARILOTTO FERMA GUAINA | Kabelhalterung | Cable Fastener | Fixe-Cable | Barrilejo |
| | 16 | 1410090 | 1 | MOLLA FRENI | Feder | Spring | Ressort | Resorte |
| | 17 | 9901029 | 1 | TUBO GUIDA MOLLA | Rohr | Hose | Tuyau | Tube |
| | 18 | 9011114 | 1 | VITE TE M 10 X 70 PASS. UNI 5737 | Schraube | Screw | Vis | Tornillo |
| | 19 | 9052001 | 3 | ROSETTA PIANA M 10 PASS. UNI 6592 | Unterlegscheibe | Washer | Rondelle | Arandela |
| | 20 | 9024005 | 1 | DADO AUT.ALTO M 10 PASS. UNI 7473 | Mutter | Nut | Ecrou | Tuerca |
| | 21 | 7003655 | 2 | MOLLA SBLOCCAGGIO STEGOLE MC27-46-68 | Feder | Spring | Ressort | Resorte |
| | 22 | 7003610 | 1 | LEVA REGOLAZIONE STEGOLE LASER | Hebel | Lever | Levier | Palanca |
| | 23 | 9901231 | 1 | MANOPOLA PIATTA 20 X 8 | Griff | Handle | Poignee | Manecilla |
| | 24 | 7003543 | 1 | ANELLO PASSACAVO INT. (GUIDA LEVA) | Ring | Ring | Bague | Anillo |
| | 25 | 7003544 | 2 | ANELLO PASSACAVO EST. (GUIDA LEVA) | Ring | Ring | Bague | Anillo |
| | 26 | 9901081 | 2 | POMELLO M 10 SFERICO | Griff | Hand-Grip | Poignée | Empuñadura |
| | 27 | 9024002 | 5 | DADO AUT.ALTO M 8 PASS. UNI 7473 | Mutter | Nut | Ecrou | Tuerca |
| | 28 | 7003606 | 1 | STEGOLE MC 27 LASER NT | Führungsholm | Handlebar | Mancheron | Manillar |
| | 29 | 9901366 | 2 | LEVA CON FERMO A SCAT.ASS LV901 | Hebel | Lever | Levier | Palanca |
| | 30 | 9901362 | 1 | MANOPOLA DX ø 28 | Griff | Handle | Poignee | Manecilla |



Führungsholme - Handlebars - Mancherons - Manillar

B0102

| Pos. | Code | N° | | | | | | |
|-----------|------|----------|---|---------------------------------------|------------------------|--------------------|-------------------------|---------------------|
| Rel. 0206 | 31 | 9023003 | 1 | DADO AUT. BASSO M 6 PASS. UNI 7474 | Mutter | Nut | Ecrou | Tuerca |
| | 32 | 9901150 | 1 | MANETTINO GAS 6 X 70 MC-MZ | Gashebel | Gas Lever | Manette | Palanquita Del Gas |
| | 33 | 8996022 | 1 | TRASM. ACCEL. MC 14-27-68 | Bowdenzüge | Transmission | Transmission | Transmision |
| | 34 | 7003636 | 1 | LEVA RM X STERZO LASER NT ASS. | Hebel | Lever | Levier | Palanca |
| | 35 | 9901370 | 1 | MANOPOLA IN VINILE ø 8 X 100 | Griff | Handle | Poignee | Manecilla |
| | 36 | 9901673 | 5 | ROSETTA FERMA BOTTONE FIANCATE VTR | Unterlegscheibe | Washer | Rondelle | Arandela |
| | 37 | 7003631 | 1 | PIOLO SUPP. REGISTRO STERZO LASER NT | Zapfen | Gudgeon | Pivot | Perno |
| | 38 | 8995042A | 1 | TRASM. INVERTITORE MC27-46 | Bowdenzüge | Transmission | Transmission | |
| | 39 | 9901643 | 4 | DADO RAPIDO M 6 | Mutter | Nut | Ecrou | Tuerca |
| | 40 | 8994008 | 1 | TRASM. FRIZIONE MC46 + CLIPS | Bowdenzüge | Transmission | Transmission | Transmision |
| | 41 | 9045001 | 1 | VITE REGISTRO M 8 X 40 1AC00355 | Schraube | Screw | Vis | Tornillo |
| | 42 | 9901367 | 2 | COLONNETTA ESAG. PER VITE REGISTRO | Verlaengerungsstueck | Extension | Colonnette | |
| | 43 | 9901363 | 1 | MANOPOLA SX ø 28 APERTA | Griff | Handle | Poignee | Manecilla |
| | 44 | 9901369 | 1 | GUIDA PER CAVO MOTORSTOP | Gleitbahn | Guide | Guide | Guia |
| | 45 | - | | NON FORNITO SINGOLARMENTE | Nicht Einzel lieferbar | Not supplied alone | Pas vendus tout soul | Indisponible suelto |
| | 46 | 9901368 | 1 | LEVA MOTORSTOP TIPO M 90 + CARRELLO | Hebel | Lever | Levier | Palanca |
| | 47 | 9901374 | 1 | MICROINTERRUPTORE MOTORSTOP BENZINA | Schalter | Switch | Intérupteur Interruptor | |
| | 48 | 9901372 | 2 | CUFFIETTA PER INTERRUPTORE MOTORSTOP | Kappe | Casing | Casque | Casquete |
| | 49 | 9901223 | 1 | TRASM. MOTORSTOP BENZ. MC68 | Bowdenzüge | Transmission | Transmission | Transmision |
| | 50 | 9901373 | 1 | VITE REGISTRO PER MOTORSTOP DIESEL | Schraube | Screw | Vis | Tornillo |
| | 51 | 8997009 | 1 | TRASM. MOTORSTOP LUNGO MC 14-68 | Bowdenzüge | Transmission | Transmission | Transmision |
| | 52 | 7003621 | 1 | COPRI PIANTONE LASER IN PPL | Haube | Cover | Capot | Cofano |
| | 53 | 9014101 | 4 | VITE TBEI M 8 X 25 PASS. ISO 7380 | Schraube | Screw | Vis | Tornillo |
| | 54 | 9052006 | 6 | ROSETTA PIANA M 6 PASS. UNI 6592 | Unterlegscheibe | Washer | Rondelle | Arandela |
| | 55 | 7003632 | 1 | PERNO ATTACCO MOLLA STERZO LASER NT | Bolzen | Pin | Pivot | Perno |
| | 56 | 6803717 | 2 | TIRANTE A 'U' X FISS. STERZO | Zugbolzen | Tie Rod | Tirant | Tirante |
| | 57 | 7003594A | 1 | PIATTO ATTACCO COPRI PIANTONE STEGOLE | Halterung | Support | Support | Soporte |
| | 58 | 9004108 | 2 | VITE AUTOF.TE 5,5 X 13 Z + ROSETTA | Schraube | Screw | Vis | Tornillo |
| | 59 | 9901236 | 1 | POMELLO ø 8 IN PVC L=37 | Griff | Hand-Grip | Poignée | Empuñadura |
| | 60 | 7003600 | 1 | LEVA SBLOCCAGGIO PIANTONE LASER | Hebel | Lever | Levier | Palanca |



GHEPARD

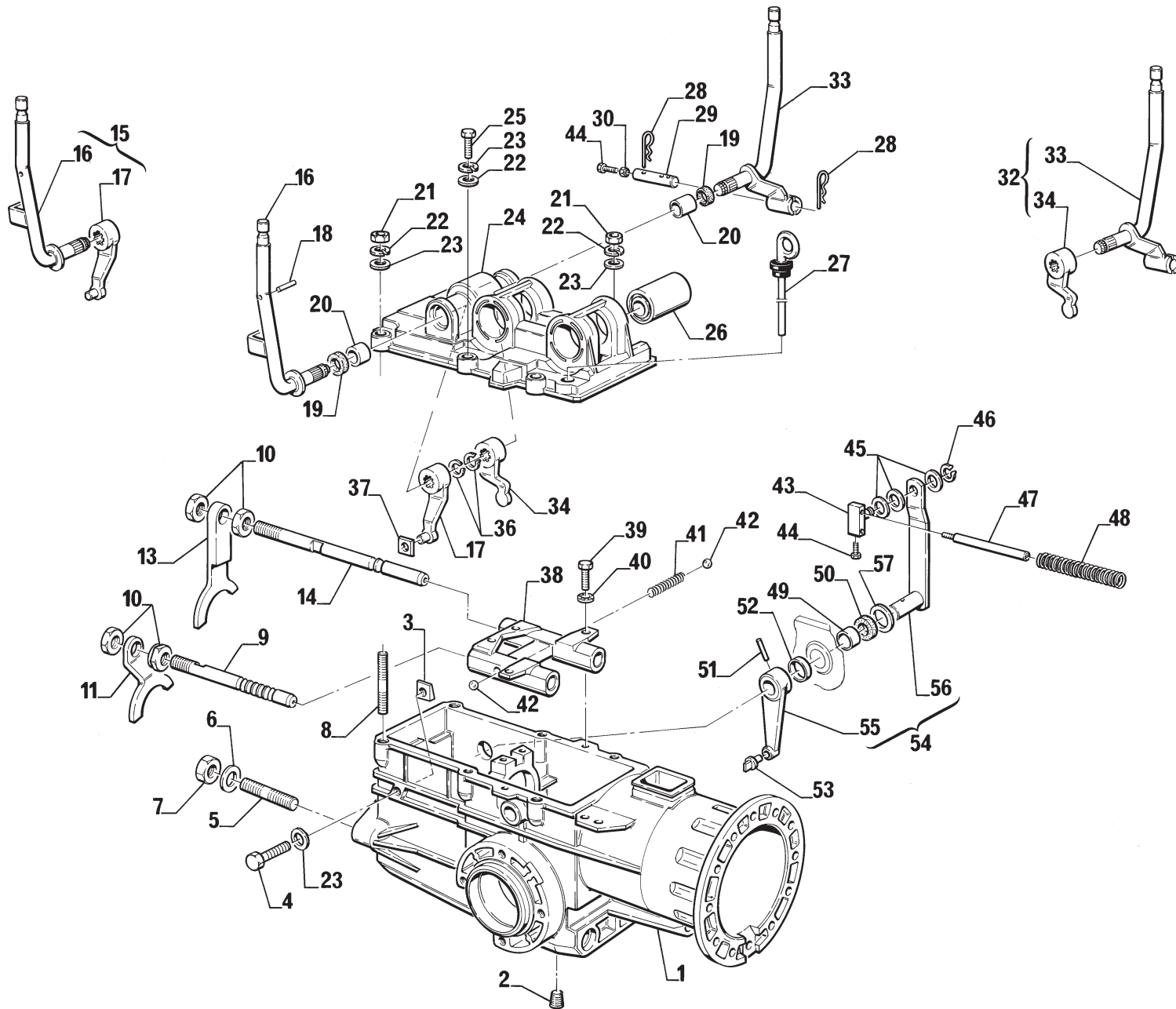
Tav. 02

B0114

LEVE CAMBIO

Schalthebel - Shift lever - Levier de vitesses - Palancas del cambio

Rel. 0206





B0114

Schalthebel - Shift lever - Levier de vitesses - Palancas del cambio

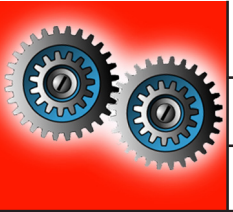
| Pos. | Code | N° | | | | | | |
|-----------|------|----------|---|-----------------------------------|------------------------|--------------------|----------------------|---------------------|
| Rel. 0206 | 1 | 6801660 | 1 | CARTER CAMBIO GHEPARD X PTO LENTA | Abdeckung | Lid | Couvercle | Tapa |
| | 2 | 9001286 | 1 | TAPPO TCE M 18 X 1,5 IN ALLUMINIO | Stopfen | Cap | Bouchon | Tapòn |
| | 3 | 6801622 | 1 | CUNEO DI BLOCCO GHEPARD | Halterung | Support | Support | Soporte |
| | 4 | 9001006 | 2 | VITE TE M 8 X 22 N UNI 5739 TF | Schraube | Screw | Vis | Tornillo |
| | 5 | 9040011 | 2 | PRIGIONIERO M 12 X 36 PASS. | Stiftschraube | Stud bolt | Prisonnier | Esparrago |
| | 6 | 9901522 | 2 | ROSETTA PIANA M 12 X 35 PASS. | Unterlegscheibe | Washer | Rondelle | Arandela |
| | 7 | 9032001 | 2 | DADO ALTO M 12 PASS. UNI 5587 | Mutter | Nut | Ecrou | Tuerca |
| | 8 | 9040003 | 6 | PRIGIONIERO M 8 X 30 PASS. | Stiftschraube | Stud bolt | Prisonnier | Esparrago |
| | 9 | 6801506 | 1 | ASTA CAMBIO INTERNA | Schalthebel | Shift lever | Levier | Palanca |
| | 10 | 9031001 | 4 | DADO BASSO M 12 PASS. UNI 5589 | Mutter | Nut | Ecrou | Tuerca |
| | 11 | 6801613 | 1 | FORCELLA MARCE | Gabel | Yoke | Fourchette | Horquilla |
| | 13 | 6801509 | 1 | FORCELLA PTO MC68-MC46 | Gabelstück | Fork | Fourche | Horquilla |
| | 14 | 6801507 | 1 | ASTA PTO INTERNA | Schalthebel | Shift lever | Levier | Palanca |
| | 15 | 6801556A | 1 | LEVA CAMBIO ASSIEME | Hebel | Lever | Levier | Palanca |
| | 16 | - | 0 | NON FORNITO SINGOLARMENTE | Nicht Einzel lieferbar | Not supplied alone | Pas vendus tout soul | Indisponible suelto |
| | 17 | - | 0 | NON FORNITO SINGOLARMENTE | Nicht Einzel lieferbar | Not supplied alone | Pas vendus tout soul | Indisponible suelto |
| | 18 | 9131026 | 1 | SPINA SPIROL 3 X 24 | Stift | Pin | Goupille | Pasador |
| | 19 | 9111050 | 2 | ANELLO TENUTA 12-22-5 | Ring | Ring | Bague | Anillo |
| | 20 | 6801572 | 2 | BOCCOLA SINT. 12-16-30 | Büchse | Bushing | Douille | Casquillo |
| | 21 | 9022001 | 6 | DADO ALTO M 8 NERO UNI 5587 | Mutter | Nut | Ecrou | Tuerca |
| | 22 | 9041001 | 6 | ROSETTA GROWER ø 8 N UNI 1751 | Unterlegscheibe | Washer | Rondelle | Arandela |
| | 23 | 9042002 | 6 | ROSETTA PIANA M 8 NERA UNI 6592 | Unterlegscheibe | Washer | Rondelle | Arandela |
| | 24 | 6801592 | 1 | COPERCHIO CARTER C.PRESS. GHEPARD | Deckel | Cover | Couvercle | Tapa |
| | 25 | 9001008 | 2 | VITE TE M 8 X 30 N UNI 5739 TF | Schraube | Screw | Vis | Tornillo |
| | 26 | 6803514 | 2 | SILENT BLOCK MC68-46 | Silentbloc | Silentbloc | Silentbloc | Silentbloc |
| | 27 | 9901276 | 1 | TAPPO OLIO L=105 C. ASTA | Stopfen | Cap | Bouchon | Tapòn |
| | 28 | 9901002 | 2 | COPIGLIA ø 1,8 A "R" PASS. | Splint | Pin | Goupille | Clavija |
| | 29 | 6803507 | 1 | PIOLINO ANTINFORTUNISTICA | Bolzen | Pin | Cheville | Eje |
| | 30 | 9031002 | 1 | DADO BASSO M 6 PASS. UNI 5589 | Mutter | Nut | Ecrou | Tuerca |
| | 32 | 6801557A | 1 | LEVA PTO ASSIEME | Hebel | Lever | Levier | Palanca |



B0114

Schalthebel - Shift lever - Levier de vitesses - Palancas del cambio

| Pos. | Code | N° | | | | | | |
|-----------|------|---------|---|------------------------------------|------------------------|---------------------|----------------------|---------------------|
| Rel. 0206 | 33 | - | 0 | NON FORNITO SINGOLARMENTE | Nicht Einzel lieferbar | Not supplied alone | Pas vendus tout soul | Indisponible suelto |
| | 34 | - | 0 | NON FORNITO SINGOLARMENTE | Nicht Einzel lieferbar | Not supplied alone | Pas vendus tout soul | Indisponible suelto |
| | 36 | 9059030 | 2 | ANELLO SEEGER Ø 11 E DIN 471 | Ring | Ring | Bague | Anillo |
| | 37 | 6801532 | 1 | PATTINO LEVA CAMBIO | Gleitbacke | Sliding block Patin | Patin | |
| | 38 | 6801593 | 1 | CASTELLO X CARTER PRESSOF | Gleitbahn | Guide | Guide | Guia |
| | 39 | 9001029 | 4 | VITE TE M 5 X 16 N | Schraube | Screw | Vis | Tornillo |
| | 40 | 9043003 | 4 | ROSETTA SCHNORR Ø 6 PASS. | Unterlegscheibe | Washer | Rondelle | Arandela |
| | 41 | 6801561 | 1 | MOLLA CAMBIO | Feder | Spring | Ressort | Resorte |
| | 42 | 9120017 | 2 | SFERA Ø 8,5 | Kugel | Ball | Sphere | Bola |
| | 43 | 6803512 | 1 | BLOCCHETTO ANTINFORTUNISTICA | Block | Block | Bloc | Bloque |
| | 44 | 9011026 | 1 | VITE TE M 6 X 12 PASS. UNI 5739 TF | Schraube | Screw | Vis | Tornillo |
| | 45 | 8900074 | 3 | RASAMENTO 10,2-15,8-0,4 | Ring | Ring | Bague | Anillo |
| | 46 | 9059022 | 1 | ANELLO SEEGER Ø 10 E DIN 471 | Ring | Ring | Bague | Anillo |
| | 47 | 6803511 | 1 | ASTA ANTINFORTUNISTICA | Schalthebel | Shift lever | Levier | Palanca |
| | 48 | 7003537 | 1 | MOLLA INVERTITORE Ø 1,8 | Feder | Spring | Ressort | Resorte |
| | 49 | 1301095 | 1 | BOCCOLA SINT. 14-18-15 | Büchse | Bushing | Douille | Casquillo |
| | 50 | 9111001 | 1 | ANELLO TENUTA 14-22-4 | Ring | Ring | Bague | Anillo |
| | 51 | 9131003 | 1 | SPINA SPIROL 5 X 24 | Stift | Pin | Goupille | Pasador |
| | 52 | 8908010 | 1 | DISTANZIALE 22-18.5-3.5 | Distanzstück | Spacer | Entretoise | Separador |
| | 53 | 6801510 | 1 | PATTINO LEVA INVERTITORE | Gleitbacke | Sliding block Patin | Patin | |
| | 54 | 6801564 | 1 | LEVA INVERTITORE ASSIEME | Hebel | Lever | Levier | Palanca |
| | 55 | - | 0 | NON FORNITO SINGOLARMENTE | Nicht Einzel lieferbar | Not supplied alone | Pas vendus tout soul | Indisponible suelto |
| | 56 | - | 0 | NON FORNITO SINGOLARMENTE | Nicht Einzel lieferbar | Not supplied alone | Pas vendus tout soul | Indisponible suelto |
| | 57 | 8900072 | 1 | RASAMENTO 14.2-24.9-0.2 | Ring | Ring | Bague | Anillo |
| | | | | | | | | |
| | | | | | | | | |
| | | | | | | | | |
| | | | | | | | | |



GHEPARD

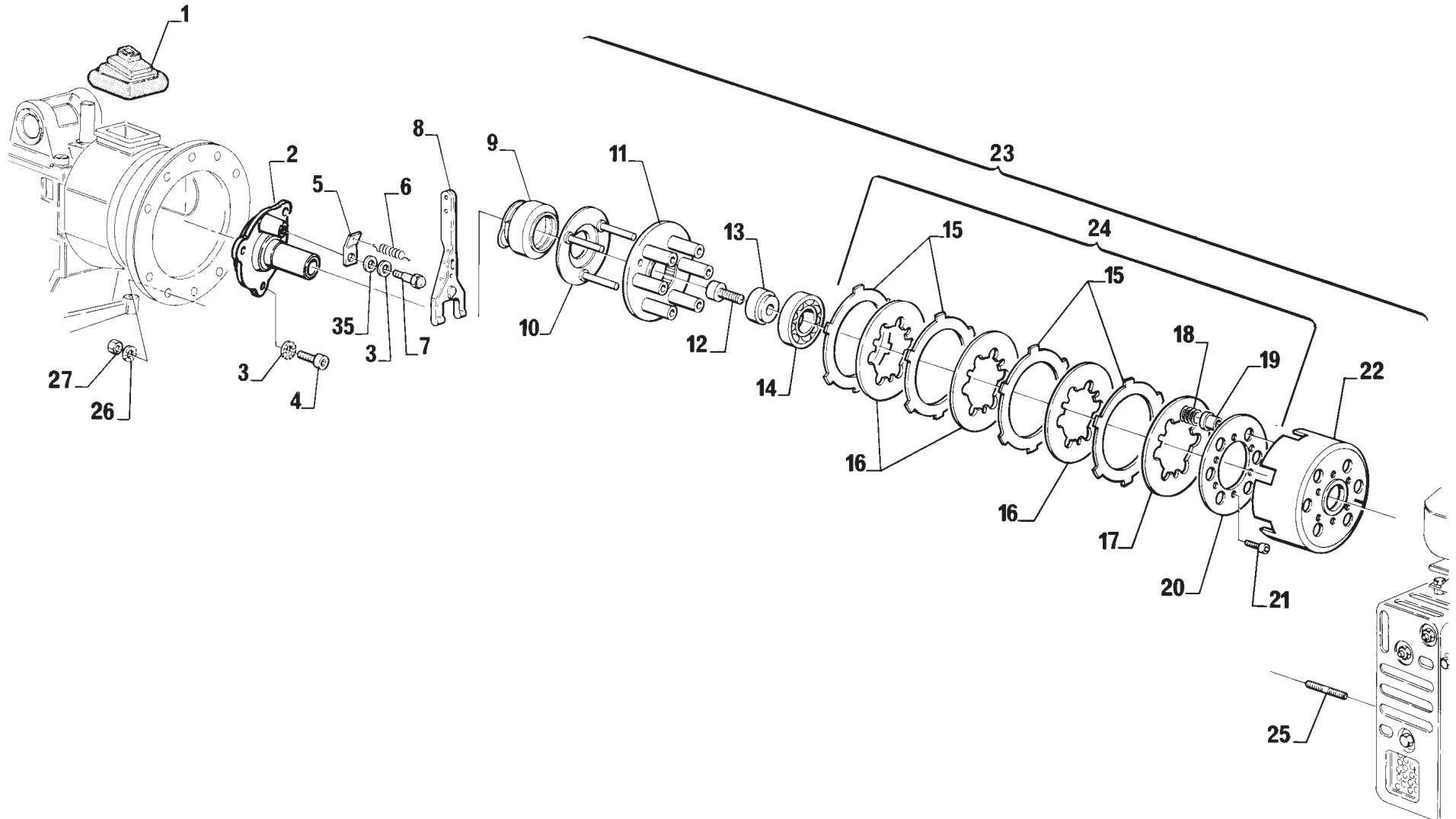
Tav. 03

B0115

FRIZIONE

Kupplung - Clutch - Embrayage - Embrague

Rel. 0206

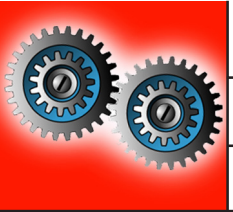


**Tav. 03**

B0115

FRIZIONE**Kupplung - Clutch - Embrayage - Embrague**

| Pos. | Code | N° | | | | | | |
|-----------|------|---------|---|--|-------------------|----------------|---------------------|-----------------|
| Rel. 0206 | 1 | 9901031 | 1 | CUFFIA LEVA FRIZIONE MC-MZ | Kappe | Casing | Casque | Casquete |
| | 2 | 6806501 | 1 | SUPP. CUSCINETTO FRIZIONE | Halterung | Support | Support | Soporte |
| | 3 | 9043001 | 3 | ROSETTA SCHNORR ø 8 NERA | Unterlegscheibe | Washer | Rondelle | Arandela |
| | 4 | 9011002 | 2 | VITE TE M 6 X 20 UNI 5739 TF | Schraube | Screw | Vis | Tornillo |
| | 5 | 1307007 | 1 | PIASTRINA ATT.FORC.FRIZ. | Plaettchen | Plate | Plaquette | Lamina |
| | 6 | 1301111 | 1 | MOLLA ATTACCO LEVA FRIZ. | Feder | Spring | Ressort | Resorte |
| | 7 | 0607027 | 1 | PERNO FULCRO FORC. FRIZ. | Bolzen | Pin | Pivot | Perno |
| | 8 | 2806504 | 1 | FORCELLA FRIZIONE | Gabelstuck | Fork | Fourche | Horquilla |
| | 9 | 6806536 | 1 | MANICOTTO FRIZ. LAMELLARE ASS.X6806551 | Muffe | Coupling | Manchon | Manguito |
| | 10 | 6806547 | 1 | DISINNESTO FRIZ. 4 DISCHI | Druckplatte | Clutching pins | Plaque | Plato De Empuje |
| | 11 | 6806546 | 1 | INNESTO INT.FRIZ. 4 DISCHI | Kupplungshälfte | Slider | Moite embrayage | Inesto |
| | 12 | 9002001 | 1 | VITE TCEI M 8 X 25 N UNI 5931 | Schraube | Screw | Vis | Tornillo |
| | 13 | 6806545 | 1 | CALOTTA FRIZ. 4 DISCHI | Abstandstu Eck | Spacer | Entretoise | Separador |
| | 14 | 9102008 | 1 | CUSC.A SFERE 6005 2RS | Kugellager | Bearing | Roulement | Cojinete |
| | 15 | 6806537 | 4 | DISCO X MULTID. VEDI KIT 6806552 | Kupplungsscheibe | Clutch Plate | Disque D'Embrayage | Disco |
| | 16 | 6806542 | 3 | DISCO INTERNO FRIZ.4 D. | Scheibe | Disk | Disque | Disco |
| | 17 | 6806541 | 1 | DISCO FRONTALE FRIZ.4 D. | Scheibe | Disk | Disque | Disco |
| | 18 | 6806544 | 6 | MOLLA FRIZ.4 DISCHI | Feder | Spring | Ressort | Resorte |
| | 19 | 6806543 | 6 | BICCHIERINO FRIZ.4 DISCHI | Gleitbahn | Guide | Guide | Guia |
| | 20 | 6806540 | 1 | PIATTO P/BICCH.FRIZ.DISC. | Scheibe | Disk | Disque | Disco |
| | 21 | 9002043 | 6 | VITE TCEI M 5 X 12 N UNI 5931 | Schraube | Screw | Vis | Tornillo |
| | 22 | 6806539 | 1 | FLANGIA FRIZ.4 DISCHI | Flansch | Flange | Bride | Brida |
| | 23 | 6806551 | 1 | FRIZIONE A 4 DISCHI+MANICOTTO MC68-MZ06 | Kupplung | Clutch | Embrayage | Embrague |
| | 23 | 6806561 | 1 | FRIZIONE A 4 DISCHI + MANICOTTO X GX 270 | Kupplung | Clutch | Embrayage | Embrague |
| | 24 | 6806552 | 1 | KIT DISCHI X FRIZ.MULTID. | Kupplungsscheiben | Clutch Plates | Disques D'Embrayage | Discos |
| | 25 | 9040018 | 6 | PRIGIONIERO M 8 X 26 | Stiftschraube | Stud bolt | Prisonnier | Esparrago |
| | 26 | 9053001 | 6 | ROSETTA SCHNORR ø 8 PASS. | Unterlegscheibe | Washer | Rondelle | Arandela |
| | 27 | 9032002 | 6 | DADO ALTO M 12 PASS. UNI 5587 | Mutter | Nut | Ecrou | Tuerca |



GHEPARD

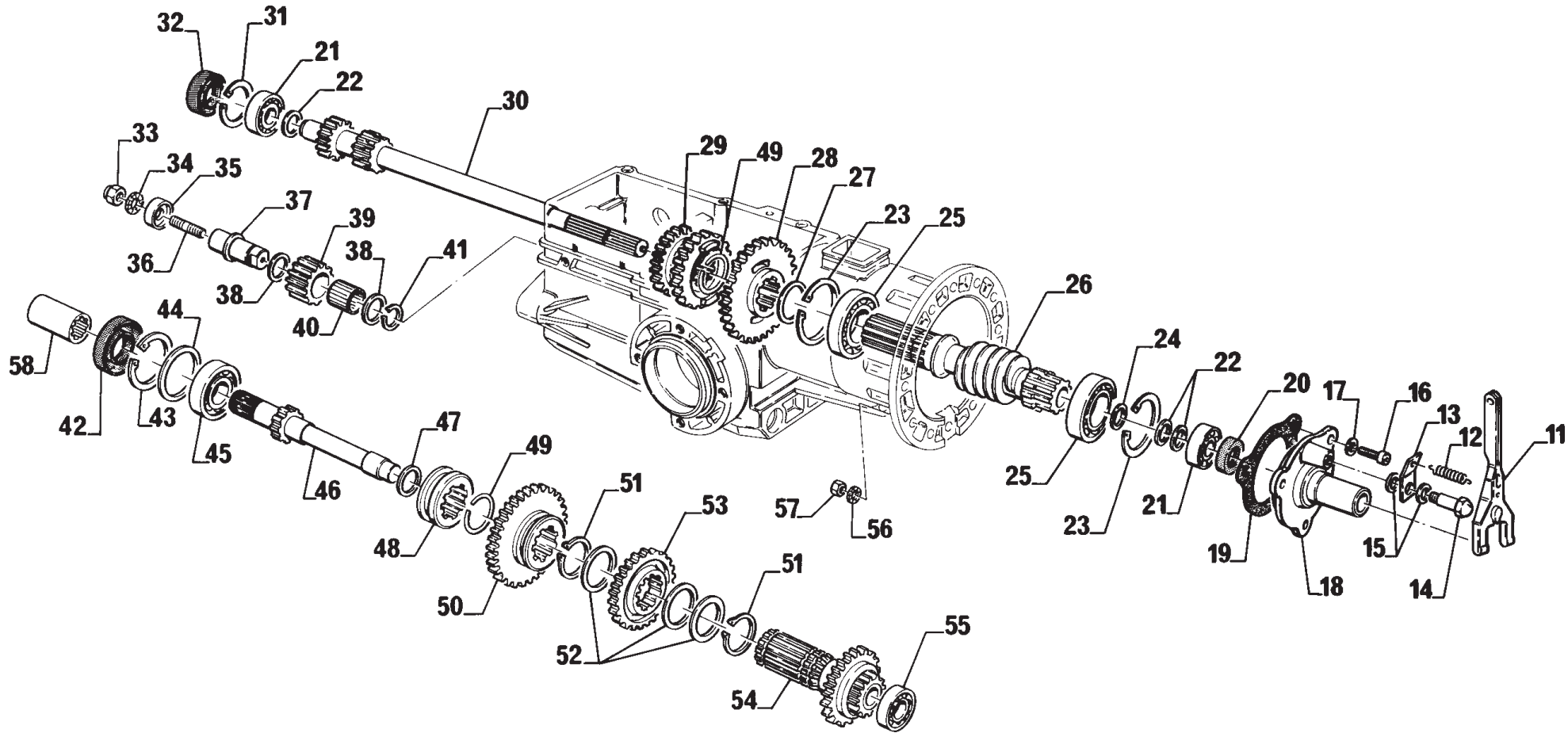
Tav. 04

B0110

GRUPPO CAMBIO

Getriebe - Gearbox - Boîte de Vitesses - Caja de cambio

Rel. 0206





Getriebe - Gearbox - Boîte de Vitesses - Caja de cambio

| B0110 | | |
|-------|------|----|
| Pos. | Code | N° |

| Rel. 0206 | Pos. | Code | N° | | | | | |
|-----------|------|---------|----|-------------------------------------|-----------------|----------------|----------------------|---------------------|
| | 11 | 2806504 | 1 | FORCELLA FRIZIONE | Gabelstuck | Fork | Fourche | Horquilla |
| | 12 | 1301111 | 1 | MOLLA ATTACCO LEVA FRIZ. | Feder | Spring | Ressort | Resorte |
| | 13 | 1307007 | 1 | PIASTRINA ATT.FORC.FRIZ. | Plaettchen | Plate | Plaquette | Lamina |
| | 14 | 1307008 | 1 | PERNO FORCELLA FRIZIONE | Bolzen | Pin | Pivot | Perno |
| | 15 | 9042002 | 2 | ROSETTA PIANA M 8 NERA UNI 6592 | Unterlegscheibe | Washer | Rondelle | Arandela |
| | 16 | 9011002 | 3 | VITE TE M 6 X 20 PASS. UNI 5739 TF | Schraube | Screw | Vis | Tornillo |
| | 17 | 9043003 | 3 | ROSETTA SCHNORR ø 6 PASS. | Unterlegscheibe | Washer | Rondelle | Arandela |
| | 18 | 6806501 | 1 | SUPP. CUSCINETTO FRIZIONE | Halterung | Support | Support | Soporte |
| | 19 | 6806502 | 1 | GUARNIZIONE MANICOTTO MC 68 | Dichtung | Gasket | Joint | Junta |
| | 20 | 9111002 | 1 | ANELLO TENUTA 15-32-7 | Ring | Ring | Bague | Anillo |
| | 21 | 9101019 | 2 | CUSC.A SFERE 6202 | Kugellager | Bearing | Roulement | Cojinete |
| | 22 | 8900019 | 3 | RASAMENTO 15,2-24,9-0,6 | Ring | Ring | Bague | Anillo |
| | 23 | 9058005 | 2 | ANELLO SEEGER ø 55 I DIN 472 | Ring | Ring | Bague | Anillo |
| | 24 | 8900006 | 3 | RASAMENTO 15,5-21,9-0,3 | Ring | Ring | Bague | Anillo |
| | 25 | 9130008 | 2 | CUSC.A RULLI CONICI 32006 | Rollenlager | Roller Bearing | Roulement A Rouleaux | Rodamiento Rodillos |
| | 26 | 6801648 | 1 | VITE SENZA FINE DX PER CUSC. CONICO | Schraube | Screw | Vis | Tornillo |
| | 27 | 8900031 | 2 | RASAMENTO 30,2-39,8-0,2 | Ring | Ring | Bague | Anillo |
| | 28 | 6801523 | 1 | INGRANAGGIO PRIMARIO Z.36 | Zahnrad | Cogged wheel | Roue dentée | Rueda dentada |
| | 29 | 6801519 | 1 | INGRANAGGIO DOPPIO | Zahnrad | Cogged wheel | Roue dentée | Rueda dentada |
| | 30 | 6801653 | 1 | ALBERO PRIMARIO X PTO LENTA | Welle | Shaft | Arbre | Arbol |
| | 31 | 9058013 | 1 | ANELLO SEEGER ø 35 I DIN 472 | Ring | Ring | Bague | Anillo |
| | 32 | 9111049 | 1 | ANELLO TENUTA 15-35-7 | Ring | Ring | Bague | Anillo |
| | 33 | 9024102 | 1 | DADO METALBLOC M 8 PASS. DIN 980 | Mutter | Nut | Ecrou | Tuerca |
| | 34 | 9043101 | 1 | ROSETTA DENTELLATA E M 8 N UNI 8842 | Unterlegscheibe | Washer | Rondelle | Arandela |
| | 35 | 6801551 | 1 | RONDELLA PER RM | Scheibe | Washer | Rondelle | Arandela |
| | 36 | 9040010 | 1 | PRIGIONIERO M 8 X 20 PASS. | Stiftschraube | Stud bolt | Prisonnier | Esparrago |
| | 37 | 6801526 | 1 | ALBERINO R.M. | Welle | Shaft | Arbre | Eje |
| | 38 | 8900075 | 2 | RASAMENTO 18,1-27,9-0,6 | Ring | Ring | Bague | Anillo |
| | 39 | 6801652 | 1 | INGRANAGGIO DI RINVIO X PTO LENTA | Zahnrad | Cogged wheel | Roue dentée | Rueda dentada |
| | 40 | 9106011 | 1 | GABBIA RULLINI K 18-22-22 | Nadellager | Needle Bearing | Roulement Aiguilles | Cojinete De Agujas |



GHEPARD

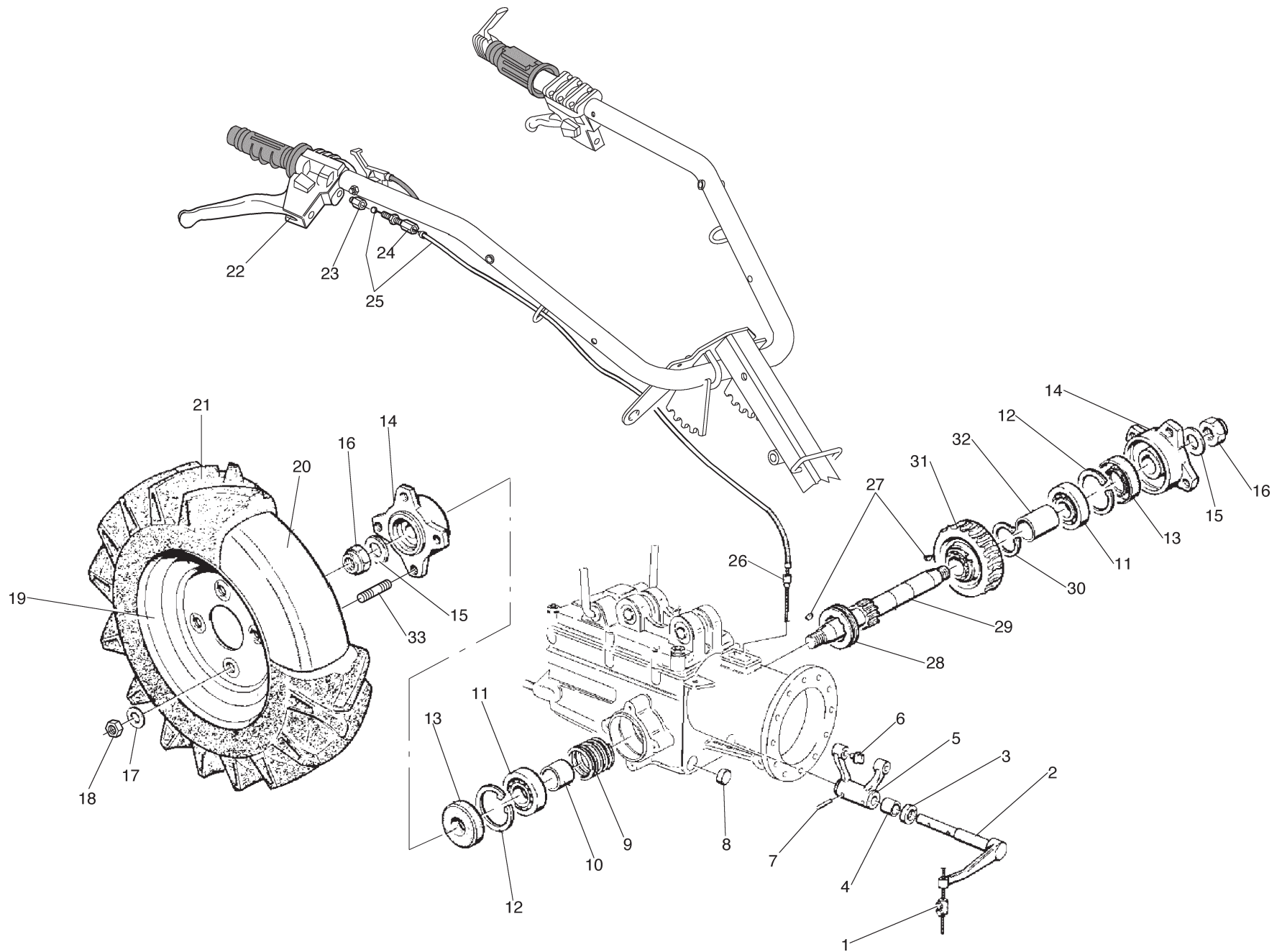
Tav. 05

B0116

MOZZO RUOTE

Nabe - Hub - Moyeu - Cubo

Rel. 0206



**Tav. 05****MOZZO RUOTE**

1/2

B0116

Nabe - Hub - Moyeu - Cubo

| Pos. | Code | N° |
|------|------|----|
|------|------|----|

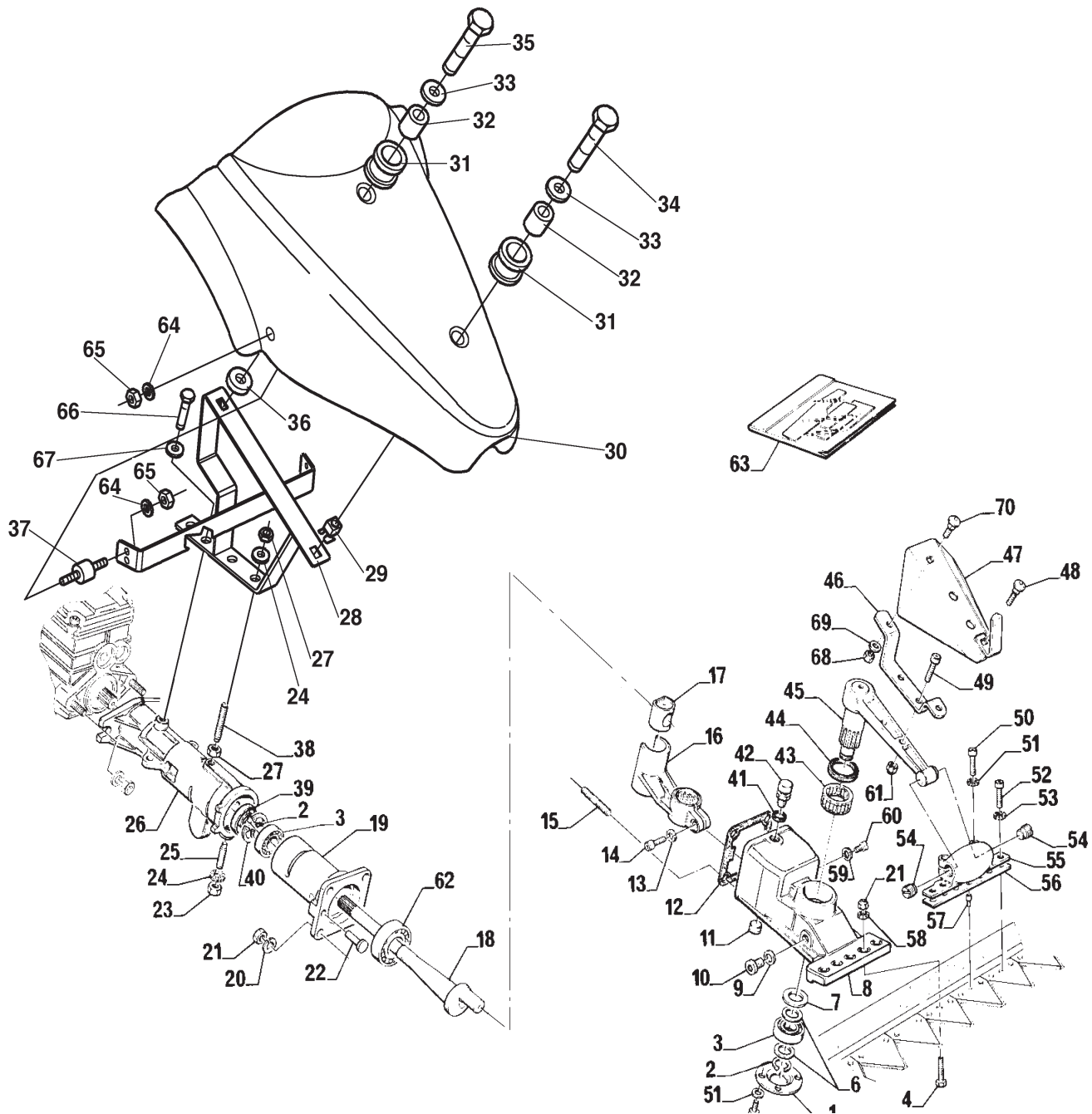
| Rel. 0206 | Pos. | Code | N° | | | | | |
|-----------|------|----------|----|---------------------------------------|----------------------|---------------------|-----------------|---------------------|
| | 1 | 9901022 | 1 | MORSETTO A 2 VITI LAT. CON NASELLO | Klemme | Holdfast | Serre-Cable | Abrazadera |
| | 2 | 6804510 | 1 | LEVA INN. RUOTA MC68 R/FISSE ASS. | Hebel | Lever | Levier | Palanca |
| | 3 | 9111001 | 1 | ANELLO TENUTA 14-22-4 | Ring | Ring | Bague | Anillo |
| | 4 | 1301095 | 1 | BOCCOLA SINT. 14-18-15 | Büchse | Bushing | Douille | Casquillo |
| | 5 | 6804520 | 1 | FORCELLA RUOTE GHEPARD | Gabelstuck | Fork | Fourche | Horquilla |
| | 6 | 1301091 | 2 | PATTINO RUOTE | Gleitbacke | Sliding Block Patin | Patin | |
| | 7 | 9131011 | 2 | SPINA SPIROL 5 X 20 | Stift | Elastic Pin | Goupille | Pasador |
| | 8 | 1304017 | 1 | LAMIERINO | Halteblech | Plate | Tole | Chapita |
| | 9 | 6801511 | 1 | MOLLA RUOTA MC68 | Feder | Spring | Ressort | Resorte |
| | 10 | 6801512 | 1 | DISTANZIALE DX | Distanzstuck | Spacer | Entretoise | Separador |
| | 11 | 9101011 | 2 | CUSC.A SFERE 6305 | Kugellager | Bearing | Roulement | Cojinete |
| | 12 | 9058008 | 2 | ANELLO SEEGER ø 62 I DIN 472 | Ring | Ring | Bague | Anillo |
| | 13 | 9111036 | 2 | ANELLO TENUTA 25-62-10 | Ring | Ring | Bague | Anillo |
| | 14 | 6804501 | 2 | MOZZO RUOTE GHEPARD SENZA FRENI | Nabe | Hub | Moyeu | Cubo |
| | 15 | 9901098 | 2 | MOLLA A TAZZA ø 16 NERA DIN 2093 | Feder | Spring | Ressort | Resorte |
| | 16 | 9024001 | 2 | DADO AUT.ALTO M 16 PASS. UNI 7473 | Mutter | Nut | Ecrou | Tuerca |
| | 17 | 9054004 | 8 | ROSETTA HEDTMAN M 12 PASS. | Unterlegscheibe | Washer | Rondelle | Arandela |
| | 18 | 9032001 | 8 | DADO ALTO M 12 PASS. UNI 5587 | Mutter | Nut | Ecrou | Tuerca |
| | 19 | 9906606A | 2 | DISCO 3.25-10F LAT.FIAT-1100 | Felgen | Rims | Jantes | Llantas |
| | 20 | 9906401 | 2 | CAMERA 8" C220X3.50/400X8 | Schlauch | Inner Tube | Chambre A Air | Camara De Neumatico |
| | 21 | 9906209 | 2 | PNEUM. 4.00- 8 2PR TM | Reifen | Tire | Pneumatique | Neumatico |
| | 22 | 9901366 | 1 | LEVA CON FERMO A SCAT.ASS LV901 | Hebel | Lever | Levier | Palanca |
| | 23 | 9901367 | 1 | COLONNETTA ESAG. PER VITE REGISTRO | Verlaengerungsstueck | Extension | Colonnette | Distanciador |
| | 24 | 9045001 | 1 | VITE REGISTRO M 8 X 40 1AC00355 | Schraube | Screw | Vis | Tornillo |
| | 25 | 8993054 | 1 | TRASM. INNESTO RUOTE MC 68 | Bowdenzüge | Transmission | Transmission | Transmision |
| | 26 | 9901023 | 1 | BUSSOLA A GRADINO ø 10 | Büchse | Bushing | Douille | Casquillo |
| | 27 | 9018001 | 2 | LINGUETTA A DISCO 6 X 9 X 22 UNI 6606 | Lasche | Feather Key | Languette | Linguete |
| | 28 | 6801524 | 1 | INNESTO RUOTA | Kupplungshälfte | Slider | Moite Embrayage | Inesto |
| | 29 | 6801515 | 1 | ALBERO RUOTA | Welle | Shaft | Arbre | Arbol |
| | 30 | 9059007 | 2 | ANELLO SEEGER ø 35 E DIN 471 | Ring | Ring | Bague | Anillo |



GRUPPO FRENI

Bremsen - Brakes - Frein - Frenos

Rel. 0206





B0108

Bremsen - Brakes - Frein - Frenos

| Pos. | Code | N° | | | | | | |
|-----------|------|---------|---|--|------------------------|--------------------|----------------------|---------------------|
| Rel. 0206 | 1 | 9052007 | 8 | ROSETTA PIANA M 12 PASS. UNI 6592 | Unterlegscheibe | Washer | Rondelle | Arandela |
| | 2 | 9032001 | 8 | DADO ALTO M 12 PASS. UNI 5587 | Mutter | Nut | Ecrou | Tuerca |
| | 3 | 9001005 | 8 | VITE TE M 8 X 25 N UNI 5739 TF | Schraube | Screw | Vis | Tornillo |
| | 4 | 9052002 | 8 | ROSETTA PIANA M 8 PASS. UNI 6592 | Unterlegscheibe | Washer | Rondelle | Arandela |
| | 5 | 9906642 | 2 | FLANGIA X CERCHIO 3.50B-10 FIAT 1100 | Flansch | Flange | Bride | Brida |
| | 6 | 9906643 | 2 | DISCO 400 B-12 | Felgen | Rims | Jantes | Llantas |
| | 7 | 9906611 | 2 | DISCO 9JX15F LAT/SP 80 FIAT 1100 F/SVAS. | Felgen | Rims | Jantes | Llantas |
| | 8 | 9044001 | 8 | ROSETTA HEDTMAN M 8 | Unterlegscheibe | Washer | Rondelle | Arandela |
| | 9 | 9024002 | 8 | DADO AUT.ALTO M 8 PASS. UNI 7473 | Mutter | Nut | Ecrou | Tuerca |
| | 10 | 9906407 | 2 | CAMERA 10" C290 5.00X10 | Schlauch | Inner Tube | Chambre A Air | Camara De Neumatico |
| | 11 | 9906211 | 2 | PNEUM. 5.00-10 2PR TM | Reifen | Tire | Pneumatique | Neumatico |
| | 12 | 9001097 | 8 | VITE TE M 12 X 50 CH 17 | Schraube | Screw | Vis | Tornillo |
| | 13 | 6801654 | 2 | TAMBURO FRENI ø 150 MC68 | Bremstrommel | Brake Drum | Tambour Du Frein | Tambor Freno |
| | 14 | 6801656 | 1 | MASSA FRENANTE DX ø 150 MC68 | Bremsbacke | Brake Shoe | Machoire De Frein | Zapata De Freno |
| | 15 | 1401669 | 2 | GANASCIA FRENO TERATRAC | Bremse | Brake | Frein | Freno |
| | 16 | - | | NON FORNITO SINGOLARMENTE | Nicht Einzel lieferbar | Not supplied alone | Pas vendus tout soul | Indisponible suelto |
| | 17 | 1410120 | 2 | MORSETTO M 10 X 20 PASS. | Klemme | Holdfast | Serre-Cable | Abrazadera |
| | 18 | 9043001 | 8 | ROSETTA SCHNORR ø 8 NERA | Unterlegscheibe | Washer | Rondelle | Arandela |
| | 19 | 9011005 | 8 | VITE TE M 8 X 20 PASS. UNI 5739 TF | Schraube | Screw | Vis | Tornillo |
| | 20 | - | | NON FORNITO SINGOLARMENTE | Nicht Einzel lieferbar | Not supplied alone | Pas vendus tout soul | Indisponible suelto |
| | 21 | 6801655 | 1 | MASSA FRENANTE SX ø 150 MC68 | Bremsbacke | Brake Shoe | Machoire De Frein | Zapata De Freno |
| | 22 | 1401730 | 2 | MOLLA BICONICA RITORNO FRENO MC14 | Feder | Spring | Ressort | Resorte |
| | 23 | 9901023 | 2 | BUSSOLA A GRADINO ø 10 | Büchse | Bushing | Douille | Casquillo |
| | 24 | 8995018 | 1 | TRASM. FRENI MC68 SX | Bowdenzüge | Transmission | Transmission | Transmision |
| | 25 | 9901030 | 2 | BARILOTTO FERMA GUAINA | Kabelhalterung | Cable Fastener | Fixe-Cable | Barrilejo |
| | 26 | 6804521 | 2 | MOLLA FRENI GHEPARD (AMMORT.) | Feder | Spring | Ressort | Resorte |
| | 27 | 6804537 | 2 | DISTANZIALE AMMORT. FRENI | Distanzstück | Spacer | Entretoise | Separador |
| | 28 | 9901029 | 2 | TUBO GUIDA MOLLA | Rohr | Hose | Tuyau | Tubo |
| | 29 | 8995017 | 1 | TRASM. FRENI MC68 DX | Bowdenzüge | Transmission | Transmission | Transmision |
| | 30 | 9023001 | 4 | DADO AUT.BASSO M 8 PASS. UNI 7474 | Mutter | Nut | Ecrou | Tuerca |



GHEPARD

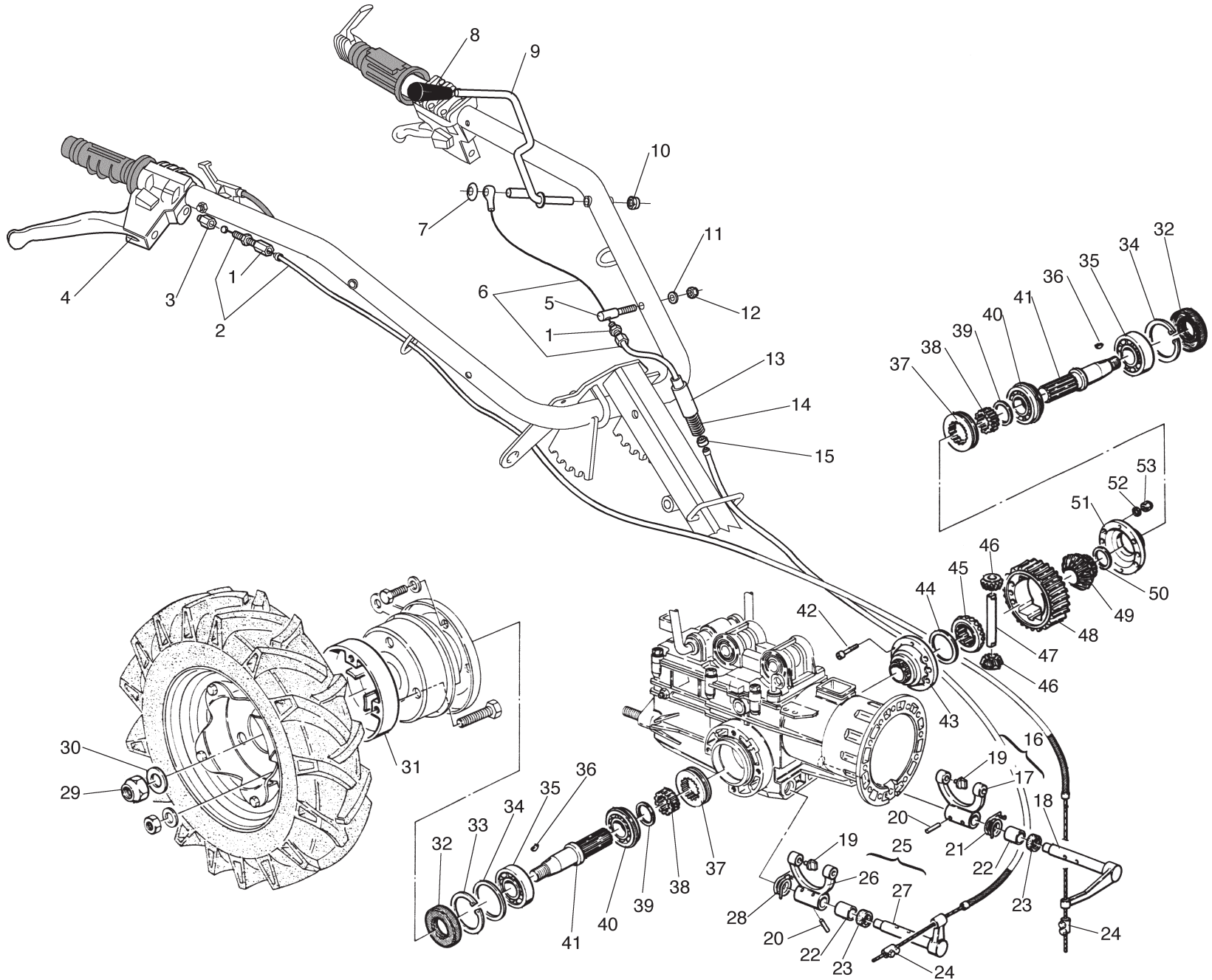
Tav. 07

B0107

DIFFERENZIALE

Differenzial - Differential - Diferencial - Diferencial

Rel. 0206





B0107

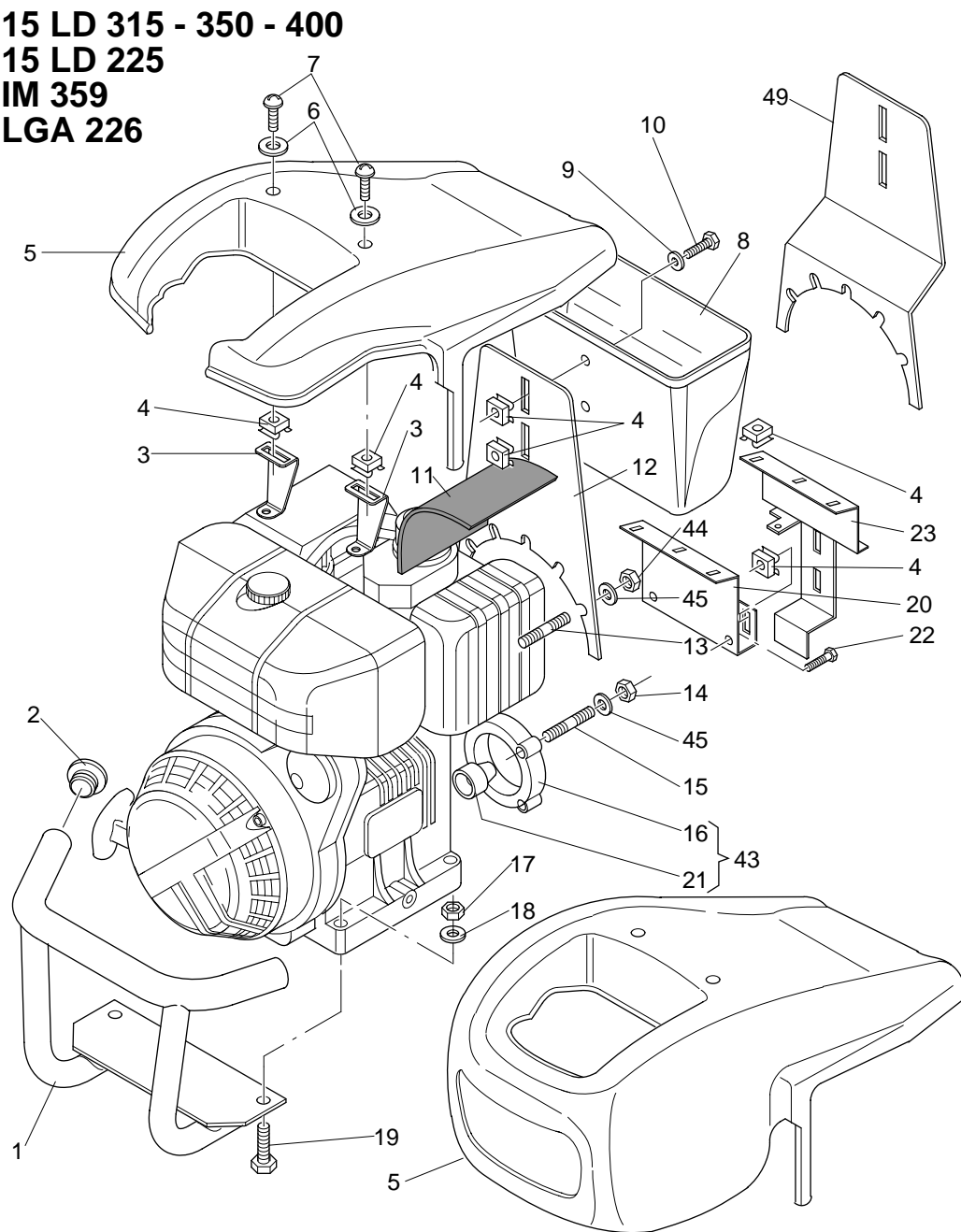
Differenzial - Differential - Diferencial - Diferencial

| Pos. | Code | N° | | | | | | |
|-----------|------|---------|---|--------------------------------------|------------------------|---------------------|----------------------|---------------------|
| Rel. 0206 | 1 | 9045001 | 1 | VITE REGISTRO M 8 X 40 1AC00355 | Schraube | Screw | Vis | Tornillo |
| | 2 | 8993054 | 1 | TRASM. INNESTO RUOTE MC 68 | Bowdenzüge | Transmission | Transmission | Transmision |
| | 3 | 9901367 | 1 | COLONNETTA ESAG. PER VITE REGISTRO | Verlaengerungsstueck | Extension | Colonnette | Distanciador |
| | 4 | 9901366 | 1 | LEVA CON FERMO A SCAT.ASS LV901 | Hebel | Lever | Levier | Palanca |
| | 5 | 7003631 | 1 | PIOLO SUPP. REGISTRO STERZO LASER NT | Zapfen | Gudgeon | Pivot | Perno |
| | 6 | 8995043 | 1 | TRASM. DIFFERENZIALE MC46 STERZO NT | Bowdenzüge | Transmission | Transmission | Transmision |
| | 7 | 9901673 | 1 | ROSETTA FERMA BOTTONE FIANCATE VTR | Unterlegscheibe | Washer | Rondelle | Arandela |
| | 8 | 9901370 | 1 | MANOPOLA IN VINILE ø 8 X 100 | Griff | Handle | Poignee | Manecilla |
| | 9 | 7003637 | 1 | LEVA SBLOC. DIFFERENZIALE ASS. | Hebel | Lever | Levier | Palanca |
| | 10 | 9023001 | 1 | DADO AUT.BASSO M 8 PASS. UNI 7474 | Mutter | Nut | Ecrou | Tuerca |
| | 11 | 9052002 | 1 | ROSETTA PIANA M 8 PASS. UNI 6592 | Unterlegscheibe | Washer | Rondelle | Arandela |
| | 12 | 9024002 | 1 | DADO AUT.ALTO M 8 PASS. UNI 7473 | Mutter | Nut | Ecrou | Tuerca |
| | 13 | 9901029 | 1 | TUBO GUIDA MOLLA | Rohr | Hose | Tuyau | Tubo |
| | 14 | 1410090 | 1 | MOLLA FRENI | Feder | Spring | Ressort | Resorte |
| | 15 | 9901030 | 1 | BARILOTTO FERMA GUAINA | Kabelhalterung | Cable Fastener | Fixe-Cable | Barrilejo |
| | 16 | 6804533 | 1 | LEVA INN. DIFF. MC 68 ASS. | Hebel | Lever | Levier | Palanca |
| | 17 | - | | NON FORNITO SINGOLARMENTE | Nicht Einzel lieferbar | Not supplied alone | Pas vendus tout soul | Indisponible suelto |
| | 18 | - | | NON FORNITO SINGOLARMENTE | Nicht Einzel lieferbar | Not supplied alone | Pas vendus tout soul | Indisponible suelto |
| | 19 | 6801580 | 4 | PATTINO X FORC.RUOTE | Gleitbacke | Sliding Block Patin | Patin | |
| | 20 | 9131011 | 4 | SPINA SPIROL 5 X 20 | Stift | Elastic Pin | Goupille | Pasador |
| | 21 | 6801578 | 1 | MOLLA DIFFERENZIALE DX. | Feder | Spring | Ressort | Resorte |
| | 22 | 1301095 | 2 | BOCCOLA SINT. 14-18-15 | Büchse | Bushing | Douille | Casquillo |
| | 23 | 9111001 | 2 | ANELLO TENUTA 14-22-4 | Ring | Ring | Bague | Anillo |
| | 24 | 9901022 | 2 | MORSETTO A 2 VITI LAT. CON NASELLO | Klemme | Holdfast | Serre-Cable | Abrazadera |
| | 25 | 6804532 | 1 | LEVA BLOCC. DIFF. MC 68 ASS. | Hebel | Lever | Levier | Palanca |
| | 26 | - | | NON FORNITO SINGOLARMENTE | Nicht Einzel lieferbar | Not supplied alone | Pas vendus tout soul | Indisponible suelto |
| | 27 | - | | NON FORNITO SINGOLARMENTE | Nicht Einzel lieferbar | Not supplied alone | Pas vendus tout soul | Indisponible suelto |
| | 28 | 6801577 | 1 | MOLLA DIFFERENZIALE SN. | Feder | Spring | Ressort | Resorte |
| | 29 | 9024001 | 2 | DADO AUT.ALTO M 16 PASS. UNI 7473 | Mutter | Nut | Ecrou | Tuerca |
| | 30 | 9901098 | 2 | MOLLA A TAZZA ø 16 NERA DIN 2093 | Feder | Spring | Ressort | Resorte |

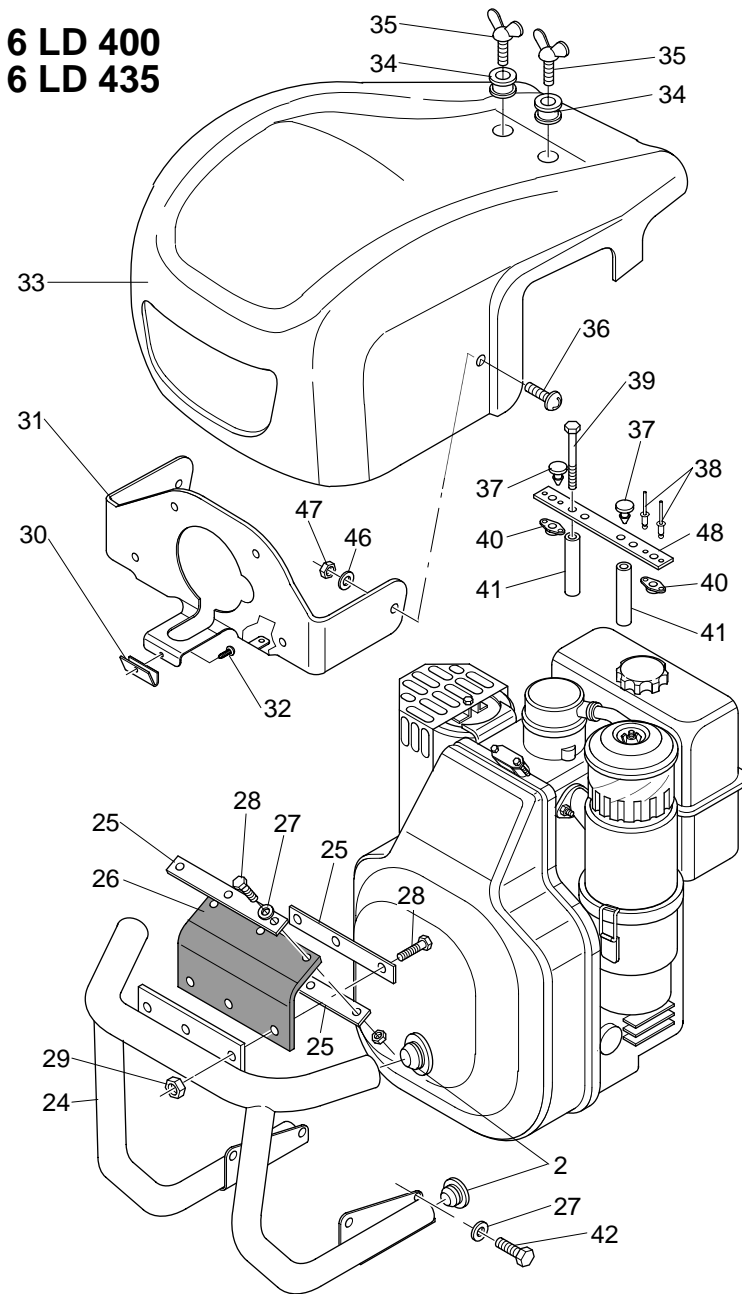


Rel. 0206

15 LD 315 - 350 - 400
15 LD 225
IM 359
LGA 226



6 LD 400
6 LD 435





B0135

Motorhaube - Engine cover - Capot - Capot

| Pos. | Code | N° | | | | | | |
|-----------|------|---------|---|--|-------------------------|--------------------|----------------------|---------------------|
| Rel. 0206 | 1 | 7003656 | 1 | PARAURTI PER 15LD 225 ASS. | Stoßdämpfer | Bumper | Pare-Chocs | Parachoques |
| | 1 | 6803721 | 1 | PARAURTI PER 15LD 315 ASS. | Stoßdämpfer | Bumper | Pare-Chocs | Parachoques |
| | 2 | 9901134 | 2 | TAPPO TESTA DI TUBO ø 28 | Stopfen | Cap | Bouchon | Tapòn |
| | 3 | 6803697 | 2 | SUPP. COFANO MOT. X 15LD225 ASS. | Halterung | Support | Support | Soporte |
| | 3 | 6803698 | 2 | SUPP. COFANO MOT. X 15LD315 ASS. | Halterung | Support | Support | Soporte |
| | 4 | 9033501 | 4 | DADO IN GABBIA M 8 X 3 PASS. | Mutter | Nut | Ecrou | Tuerca |
| | 5 | 7003625 | 1 | COFANO MOTORE PPL PER IM 359 | Haube | Cover | Capot | Cofano |
| | 5 | 7003626 | 1 | COFANO MOTORE PPL PER LGA 226 | Haube | Cover | Capot | Cofano |
| | 5 | 7003624 | 1 | COFANO MOT. PPL PER 15LD 225/315/350 | Haube | Cover | Capot | Cofano |
| | 6 | 7003638 | 2 | RONDELLA COFANO I POLITILENE | Scheibe | Washer | Rondelle | Arandela |
| | 7 | 9013116 | 2 | VITE TB M 8 X 20 T. CROCE PASS. | Schraube | Screw | Vis | Tornillo |
| | 8 | 7003622 | 1 | CASSETTA PORTA ATTREZZI IN PPL | Geratekasten | Tool Box | Boite A Outils | Caja Herramientas |
| | 9 | 9052010 | 2 | ROSETTA PIANA M 8 X 24 PASS. | Unterlegscheibe | Washer | Rondelle | Arandela |
| | 10 | 9011018 | 2 | VITE TE M 8 X 16 PASS. UNI 5739 TF | Schraube | Screw | Vis | Tornillo |
| | 11 | 3702589 | 1 | PARACALORE FIANCATA MOT. LDW 135*170 | Polsterung | Stuffing | Rembourrage | Relleno |
| | 12 | 7003608 | 1 | SUPP. CASSETTA PORTA OGGETTI X 15 LD SENZA PROLUNGA | Halterung | Support | Support | Soporte |
| | 13 | 9040033 | 3 | PRIGIONIERO M 8 X 55 PASS. | Stiftschraube | Stud bolt | Prisonnier | Esparrago |
| | 14 | 9024002 | 1 | DADO AUTOBL. ALTO M 8 PASS. UNI 7473 | Mutter | Nut | Ecrou | Tuerca |
| | 15 | 9040032 | 6 | PRIGIONIERO M 8 X 50 | Stiftschraube | Stud bolt | Prisonnier | Esparrago |
| | 16 | - | 0 | NON FORNITO SINGOLARMENTE | Nicht Einzeln lieferbar | Not supplied alone | Pas vendus tout soul | Indisponible suelto |
| | 17 | 9023007 | 2 | DADO AUTOBL.BASSO M 10 PASS. UNI 7474 | Mutter | Nut | Ecrou | Tuerca |
| | 18 | 9052001 | 2 | ROSETTA PIANA M 10 PASS. UNI 6592 | Unterlegscheibe | Washer | Rondelle | Arandela |
| | 19 | 9011022 | 2 | VITE TE M 10 X 40 PASS. UNI 5737 | Schraube | Screw | Vis | Tornillo |
| | 20 | 7003580 | 1 | SUPP. COFANO MOT.X IM 359 ASS. | Halterung | Support | Support | Soporte |
| | 21 | - | 0 | NON FORNITO SINGOLARMENTE | Nicht Einzeln lieferbar | Not supplied alone | Pas vendus tout soul | Indisponible suelto |
| | 22 | 9011013 | 2 | VITE TE M 6 X 16 PASS. UNI 5739 TF | Schraube | Screw | Vis | Tornillo |
| | 23 | 6803690 | 1 | SUPP. COFANO MOT.X LGA 226 ASS. | Halterung | Support | Support | Soporte |
| | 24 | 1412084 | 1 | PARAURTI MOT. 6LD400 COF.ABS | Stoßdämpfer | Bumper | Pare-chocs | Parachoques |
| | 25 | 6803519 | 2 | LAMA ATTACCO COFANO 20X4 INFERIORE | Messer | Blade | Couteau | Cuchilla |



Tav. 08

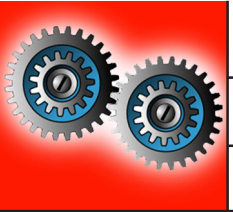
COFANATURA

2/2

B0135

Motorhaube - Engine cover - Capot - Capot

| Pos. | Code | N° | | | | | | |
|-----------|------|---------|---|---|-----------------|----------------|----------------------|-------------------|
| Rel. 0206 | 26 | 1412106 | 1 | GOMMA SUPPORTO COFANO ABS-LEOPARD | Gummi | Rubber | Gomme | Goma |
| | 27 | 9052002 | 4 | ROSETTA PIANA M 8 PASS. UNI 6592 | Unterlegscheibe | Washer | Rondelle | Arandela |
| | 28 | 9011003 | 4 | VITE TE M 8 X 25 PASS. UNI 5739 TF | Schraube | Screw | Vis | Tornillo |
| | 29 | 9023001 | 4 | DADO AUTOBL.BASSO M 8 PASS. UNI 7474 | Mutter | Nut | Ecrou | Tuerca |
| | 30 | 9901762 | 1 | GUARNIZIONE DI PROT. PER TUBI SX/DX TR | Dichtung | Gasket | Joint | Junta |
| | 31 | 1412083 | 1 | SUPPORTO FANALE PER COFANO ABS. | Halterung | Support | Support | Soporte |
| | 32 | 9013102 | 1 | VITE AUTOF. TCC M 4,2 X 13 NICHELATA | Schraube | Screw | Vis | Tornillo |
| | 33 | 1412105 | 1 | COFANO MOTORE ABS 6LD 400 S/FARO-LEOPARD | Haube | Cover | Capot | Cofano |
| | 34 | 9901131 | 2 | PASSACAVO Ø8 IN PVC | Abdichtungsring | Packing Ring | Bague En Caoutchouc | Anillo De Goma |
| | 35 | 9901138 | 2 | PERNO RAPIDO CON TESTA AD ALETTE MC14 | Bolzen | Pin | Pivot | Perno |
| | 36 | 9013115 | 2 | VITE TB M 5 X 16 T. CROCE PASS. | Schraube | Screw | Vis | Tornillo |
| | 37 | 9901036 | 2 | ANTIVIBRANTE IN GOMMA A TAPPO ø 20 | Gummipuffer | Cushion rubber | Tampon en caoutchouc | Supporte en gomme |
| | 38 | 9037106 | 2 | RIVETTO 2,9 X 10 IN ALLUMINIO | Niet | Rivet | Rivet | Remache |
| | 39 | 9011031 | 2 | VITE TE M 8 X 100 PASS. SUNI 5737 | Schraube | Screw | Vis | Tornillo |
| | 40 | 9901141 | 2 | RICETTACOLO PER PERNO RAPIDO | Schnellkuppler | Quick Fitting | Prise Rapide | Enganche Rapido |
| | 41 | 1412107 | 2 | DISTANZIALE X SUPP. SUP. COFANO Ø12 | Distanzstück | Spacer | Entretoise | Separador |
| | 42 | 9011005 | 4 | VITE TE M 8 X 20 PASS. UNI 5739 TF | Schraube | Screw | Vis | Tornillo |
| | 43 | 6806553 | 1 | KIT FLANGIA DISTANZIALE | Verlängerung | Extension | Rallonge | Prolungacion |
| | 44 | 9032002 | 5 | DADO ALTO M 8 PASS. UNI 5587 | Mutter | Nut | Ecrou | Tuerca |
| | 45 | 9053001 | 6 | ROSETTA SCHNOOR Ø 8 PASS. | Unterlegscheibe | Washer | Rondelle | Arandela |
| | 46 | 6806553 | 2 | ROSETTA PIANA Ø5 PASS | Unterlegscheibe | Washer | Rondelle | Arandela |
| | 47 | 9032002 | 2 | DADO AUTOBL.ALTO M 5 PASS. UNI 7473 | Mutter | Nut | Ecrou | Tuerca |
| | 48 | 9053001 | 1 | SUPP. ANTIVIBRANTI X COFANO ABS | Halterung | Support | Support | Soporte |
| | 49 | 6803693 | 1 | SUPP. CASSETTA PORTA OGGETTI PER PROLUNGA DA 25 mm | Halterung | Support | Support | Soporte |
| | 49 | 6803727 | 1 | SUPP. CASSETTA PORTA OGGETTI PER PROLUNGA DA 50 mm | Halterung | Support | Support | Soporte |



GHEPARD

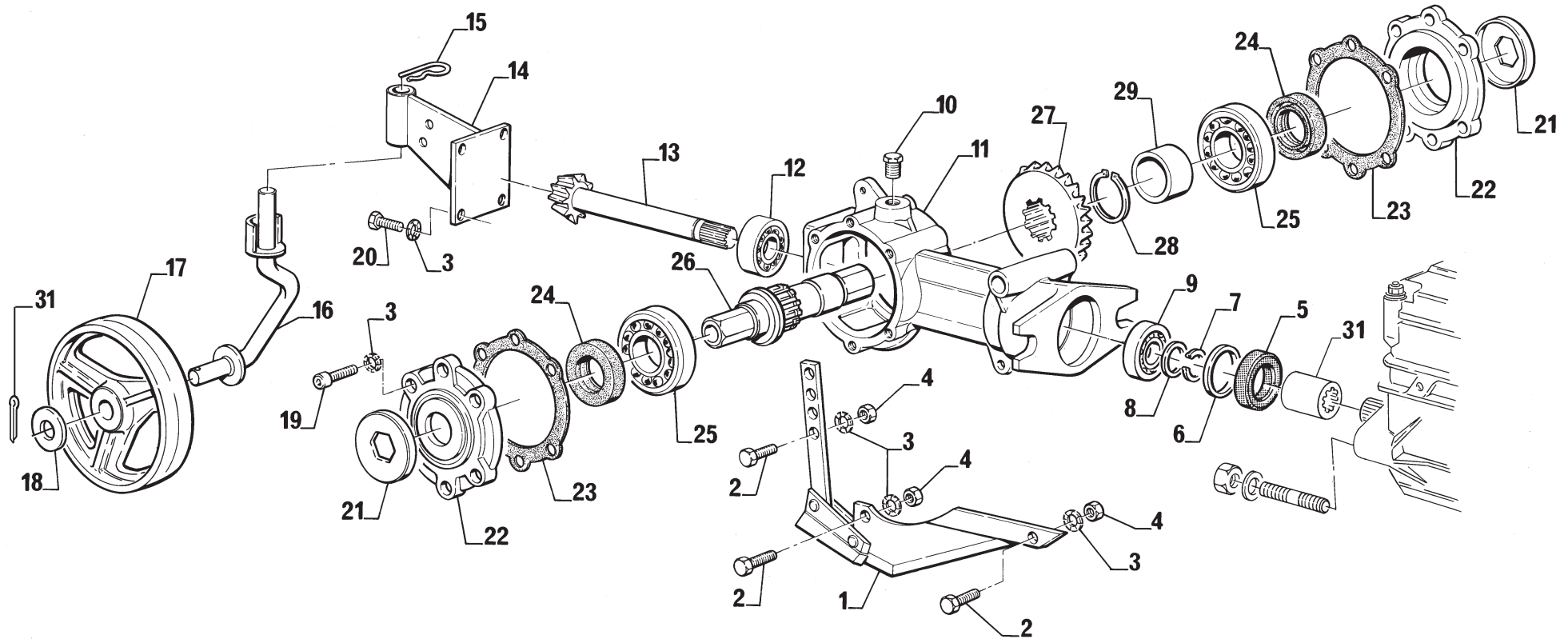
Tav. 09

B0111

GAMBO FRESA

Antrieb - Transmission - Transmission - Grupo fresa

Rel. 0206





Antrieb - Transmission - Transmission - Grupo fresa

B0111

| Pos. | Code | N° | | | | | | |
|-----------|------|---------|----|-------------------------------------|--------------------|-------------------|----------------------|---------------------|
| Rel. 0206 | 1 | 1306025 | 1 | FALCIONE COMPLETO MC68 | Untergrundlockerer | Subsoil loosener | Sous-soleuse | subsolador |
| | 2 | 9001008 | 3 | VITE TE M 8 X 30 N UNI 5739 TF | Schraube | Screw | Vis | Tornillo |
| | 3 | 9043001 | 19 | ROSETTA SCHNORR ø 8 NERA | Unterlegscheibe | Washer | Rondelle | Arandela |
| | 4 | 9022001 | 3 | DADO ALTO M 8 NERO UNI 5587 | Mutter | Nut | Ecrou | Tuerca |
| | 5 | 9111006 | 1 | ANELLO TENUTA 20-47-8 | Ring | Ring | Bague | Anillo |
| | 6 | 8908005 | 1 | DISTANZIALE 46,5-42-3 G.F | Distanzstück | Spacer | Entretoise | Separador |
| | 7 | 9059001 | 1 | ANELLO SEEGER ø 20 E DIN 471 | Ring | Ring | Bague | Anillo |
| | 8 | 8900017 | 1 | RASAMENTO 20,2-29,8-0,2 | Ring | Ring | Bague | Anillo |
| | 9 | 9101004 | 1 | CUSC.A SFERE 6204 | Kugellager | Bearing | Roulement | Cojinete |
| | 10 | 1306012 | 1 | TAPPO CARICO OLIO (CONICO) | Stopfen | Cap | Bouchon | Tapòn |
| | 11 | 1306001 | 1 | GAMBO FRESA MC 68 | Antrieb | Transmission | Transmission | Transmission |
| | 12 | 9100501 | 1 | CUSC.A RULLI CONICI 30204 | Rollenlager | Roller Bearing | Roulement A Rouleaux | Rodamiento Rodillos |
| | 13 | 6802501 | 1 | PIGNONE CONICO FRESA MC68 | Ritzel | Pinion | Pignon | Piñon |
| | 14 | 1306011 | 1 | PIASTRA P/RUOTINO ASSIEME | Platte | Plate | Paque | Placa |
| | 15 | 9901002 | 1 | COPIGLIA ø 1,8 A 'R' PASS. | Splint | Pin | Goupille | Clavija |
| | 16 | 6802572 | 1 | ATTACCO RUOTINO ø 15 | Anschluss | Connection | Attelage | Conexion |
| | 17 | 9901451 | 1 | RUOTINO ø 150 X 40 | Rad | Wheel | Roue | Rueda |
| | 18 | 9052004 | 1 | ROSETTA PIANA M 16 PASS. UNI 6592 | Unterlegscheibe | Washer | Rondelle | Arandela |
| | 19 | 9002036 | 12 | VITE TCEI M 8 X 22 N UNI 5931 | Schraube | Screw | Vis | Tornillo |
| | 20 | 9001014 | 4 | VITE TE M 8 X 16 N UNI 5737 | Schraube | Screw | Vis | Tornillo |
| | 21 | 0606015 | 2 | COPERCHIO PARAPOLVERE ES.27 | Deckel | Cover | Couvercle | Tapa |
| | 22 | 1306002 | 2 | COPERCHIO LATERALE G.F. | Deckel | Cover | Couvercle | Tapa |
| | 23 | 1306008 | 2 | GUARNIZ.COPERCHIO LAT.MC 68 | Dichtung | Gasket | Joint | Junta |
| | 24 | 9112009 | 2 | ANELLO TENUTA 35-52-7 DOPPIO LABBRO | Ring | Ring | Bague | Anillo |
| | 25 | 9101009 | 2 | CUSC.A SFERE 6207 | Kugellager | Bearing | Roulement | Cojinete |
| | 26 | 1306013 | 1 | ALBERO PORTA FRESA | Welle | Shaft | Arbre | Arbol |
| | 27 | 6802502 | 1 | CORONA CONICA FRESA MC68 | Tellerrad | Bevel Crown Wheel | Couronne | Corona |
| | 28 | 9059013 | 1 | ANELLO SEEGER ø 40 E DIN 471 | Ring | Ring | Bague | Anillo |
| | 29 | 8908006 | 1 | DISTANZIALE GAMBO FRESA | Distanzstück | Spacer | Entretoise | Separador |
| | 30 | 1306015 | 1 | BOCCOLA DI GIUNZIONE | Büchse | Bushing | Douille | Casquillo |



GHEPARD

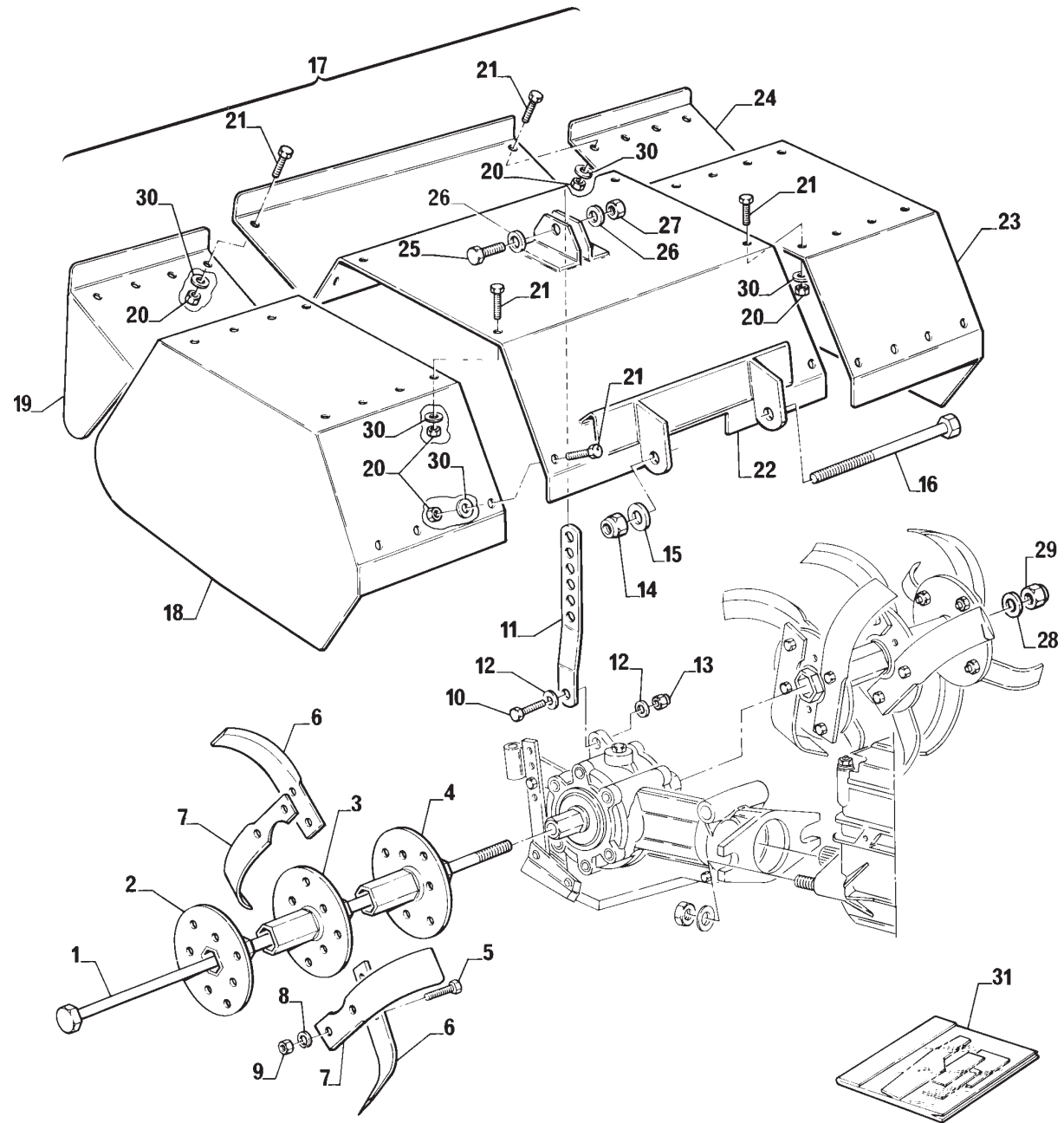
Tav. 10

B0112

FRESA

Fräse - Tiller - Rotor - Cuchillas

Rel. 0206





B0112

Fräse - Tiller - Rotor - Cuchillas

| Pos. | Code | N° | | | | | | |
|-----------|------|---------|----|---------------------------------------|------------------------|--------------------|----------------------|---------------------|
| Rel. 0206 | 1 | 6815006 | 1 | TIRANTE FRESA CM 57 M 14 | Zugbolzen | Tie rod | Tirant | Tirante |
| | 2 | 1306018 | 2 | PIASTRA TERMINALE | Platte | Plate | Paque | Placa |
| | 3 | 1306017 | 2 | PIASTRA INTERMEDIA MC68 | Platte | Plate | Paque | Placa |
| | 4 | 1306016 | 2 | PIASTRA PORTALAME | Platte | Plate | Paque | Placa |
| | 5 | 9001005 | 24 | VITE TE M 8 X 25 N UNI 5739 TF | Schraube | Screw | Vis | Tornillo |
| | 6 | 2804511 | 12 | LAMA FR. RLA1 DX | Messer | Blade | Couteau | Cuchilla |
| | 7 | 2804512 | 12 | LAMA FR. RLA1 SX | Messer | Blade | Couteau | Cuchilla |
| | 8 | 9041001 | 24 | ROSETTA GROWER ø 8 N UNI 1751 | Unterlegscheibe | Washer | Rondelle | Arandela |
| | 9 | 9021001 | 24 | DADO BASSO M 8 NERO | Mutter | Nut | Ecrou | Tuerca |
| | 10 | 9001025 | 1 | VITE TE M 8 X 35 N | Schraube | Screw | Vis | Tornillo |
| | 11 | 6802555 | 1 | LAMA REGOLAZIONE COFANO FRESA MC68 | Messer | Blade | Couteau | Cuchilla |
| | 12 | 9042002 | 2 | ROSETTA PIANA M 8 NERA UNI 6592 | Unterlegscheibe | Washer | Rondelle | Arandela |
| | 13 | 9024002 | 1 | DADO AUTOBL.ALTO M 8 PASS. UNI 7473 | Mutter | Nut | Ecrou | Tuerca |
| | 14 | 9023002 | 1 | DADO AUTOBL.BASSO M 14 PASS. UNI 7474 | Mutter | Nut | Ecrou | Tuerca |
| | 15 | 6802564 | 1 | ROSETTA PIANA M 14 SPECIALE | Unterlegscheibe | Washer | Rondelle | Arandela |
| | 16 | 9011072 | 1 | VITE TE M 14 X 130 PASS. UNI 5737 | Schraube | Screw | Vis | Tornillo |
| | 17 | 6802545 | 1 | COFANO FRESA CM. 70 | Haube | Cover | Capot | Cofano |
| | 18 | - | 0 | NON FORNITO SINGOLARMENTE | Nicht Einzel lieferbar | Not supplied alone | Pas vendus tout soul | Indisponible suelto |
| | 19 | - | 0 | NON FORNITO SINGOLARMENTE | Nicht Einzel lieferbar | Not supplied alone | Pas vendus tout soul | Indisponible suelto |
| | 20 | 9021002 | 12 | DADO BASSO M 10 NERO | Mutter | Nut | Ecrou | Tuerca |
| | 21 | 9001010 | 12 | VITE TE M 10 X 16 N UNI 5739 TF | Schraube | Screw | Vis | Tornillo |
| | 22 | - | 0 | NON FORNITO SINGOLARMENTE | Nicht Einzel lieferbar | Not supplied alone | Pas vendus tout soul | Indisponible suelto |
| | 23 | - | 0 | NON FORNITO SINGOLARMENTE | Nicht Einzel lieferbar | Not supplied alone | Pas vendus tout soul | Indisponible suelto |
| | 24 | - | 0 | NON FORNITO SINGOLARMENTE | Nicht Einzel lieferbar | Not supplied alone | Pas vendus tout soul | Indisponible suelto |
| | 25 | 9011006 | 1 | VITE TE M 10 X 30 PASS. UNI 5739 TF | Schraube | Screw | Vis | Tornillo |
| | 26 | 9052001 | 2 | ROSETTA PIANA M 10 PASS. UNI 6592 | Unterlegscheibe | Washer | Rondelle | Arandela |
| | 27 | 9032003 | 1 | DADO ALTO M 10 PASS. UNI 5587 | Mutter | Nut | Ecrou | Tuerca |
| | 28 | 6802564 | 1 | ROSETTA M 14 SPECIALE | Unterlegscheibe | Washer | Rondelle | Arandela |
| | 29 | 9024004 | 1 | DADO AUTOBL.ALTO M 14 PASS. UNI 7473 | Mutter | Nut | Ecrou | Tuerca |
| | 30 | 9042003 | 12 | ROSETTA PIANA M 10 NERA UNI 6592 | Unterlegscheibe | Washer | Rondelle | Arandela |



GHEPARD

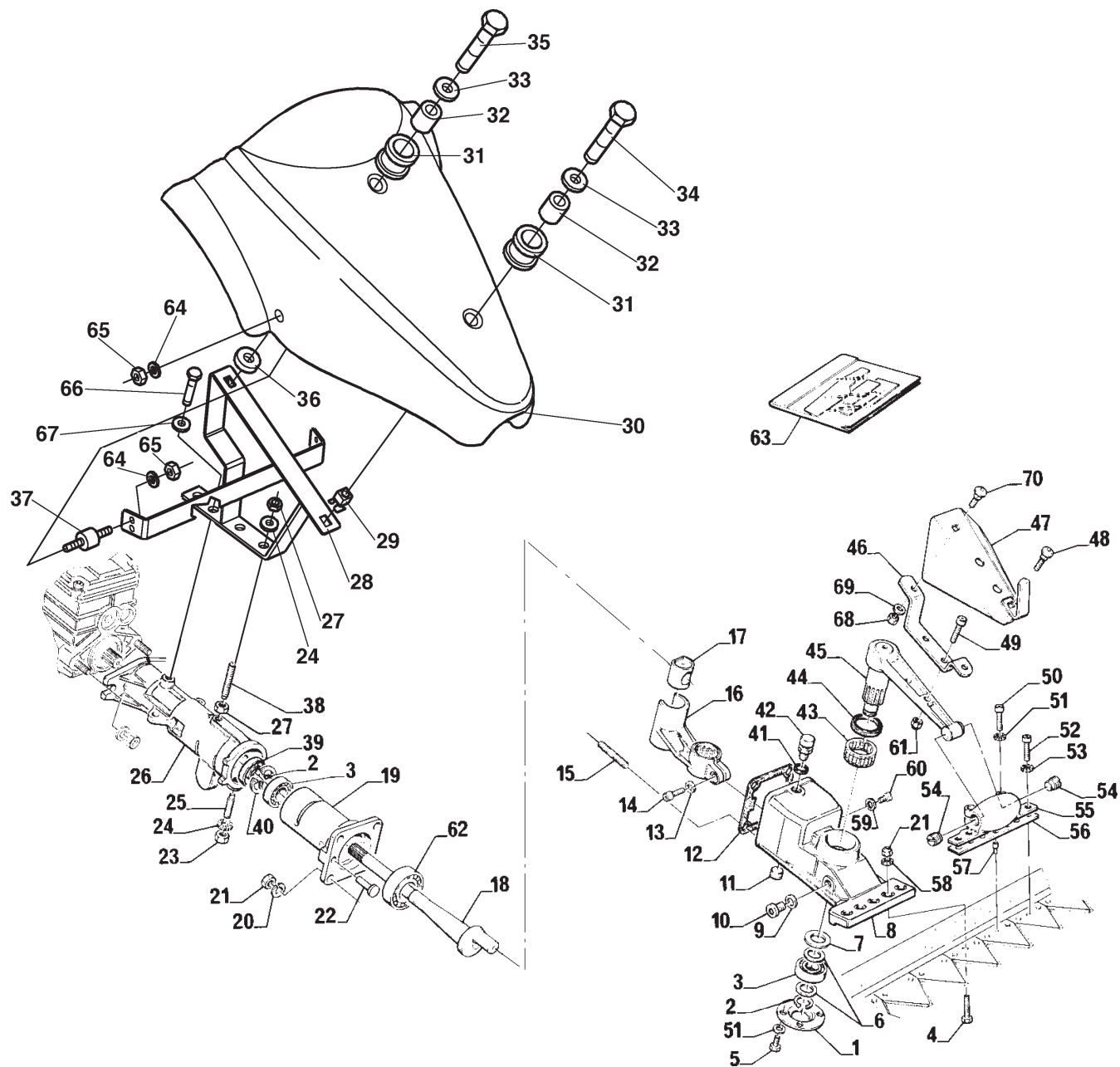
Tav. 11

B0118

TRASMISSIONE BARRA - Mähwerksantrieb - Mowing bar drive

Transmission barre de couple - Mecanismo barra de corte

Rel. 0206





Tav. 11

TRASMISSIONE BARRA - Mähwerksantrieb - Mowing bar drive

1/3



B0118

Transmission barre de couple - Mecanismo barra de corte

| Pos. | Code | N° | | | | | | |
|-----------|------|---------|---|--|-----------------|-----------|---------------------|---------------------|
| Rel. 0206 | 1 | 6805565 | 1 | COPERCHIO INF. X STAFFA BARRA | Deckel | Cover | Couvercle | Tapa |
| | 2 | 9059001 | 2 | ANELLO SEEGER ø 20 E DIN 471 | Ring | Ring | Bague | Anillo |
| | 3 | 9101004 | 2 | CUSC.A SFERE 6204 | Kugellager | Bearing | Roulement | Cojinete |
| | 4 | 9011022 | 4 | VITE TE M 10 X 40 PASS. UNI 5737 | Schraube | Screw | Vis | Tornillo |
| | 5 | 9001014 | 4 | VITE TE M 8 X 16 N UNI 5737 | Schraube | Screw | Vis | Tornillo |
| | 6 | 8900023 | 2 | RASAMENTO 20,2-29,8-0.6 | Ring | Ring | Bague | Anillo |
| | 7 | 6805554 | 1 | RASAMENTO 21,0-39,0-5 INT. B/F | Ring | Ring | Bague | Anillo |
| | 8 | 6805563 | 1 | CARTER STAFFA B.O | Abdeckung | Lid | Couvercle | Tapa |
| | 9 | 9901320 | 1 | GUARNIZIONE TAPPO 14X1,5 | Dichtung | Gasket | Joint | Junta |
| | 10 | 9901312 | 1 | TAPPO CONICO M 14 X 1,5 IN ALLUMINIO | Stopfen | Cap | Bouchon | Tapòn |
| | 11 | 9901282 | 1 | TAPPO CONICO M 18 X 1,5 NERO DIN 906 | Stopfen | Cap | Bouchon | Tapòn |
| | 12 | 6805569 | 1 | GUARNIZIONE COP.POST.BARRA | Dichtung | Gasket | Joint | Junta |
| | 13 | 9043006 | 1 | ROSETTA SCHNORR ø 12 NERA | Unterlegscheibe | Washer | Rondelle | Arandela |
| | 14 | 9012021 | 1 | VITE TCEI M 12 X 25 PASS UNI 5931 | Schraube | Screw | Vis | Tornillo |
| | 15 | 9040019 | 4 | PRIGIONIERO M 10 X 25 PASS. | Stiftschraube | Stud bolt | Prisonnier | Esparrago |
| | 16 | 6805557 | 1 | BIELLA INTERNA B/O | Kuppelstange | Rod | Levier | Biela |
| | 17 | 6805556 | 1 | BRONZINA X BIELLA INT. BARRA B/O | Bronzelager | Bushing | Coussinet en bronze | Casquillo de bronze |
| | 18 | 6805558 | 1 | ALBERO BARRA B/O | Welle | Shaft | Arbre | Arbol |
| | 19 | 6805561 | 1 | MANICOTTO FISSO X BARRA B/O | Muffe | Coupling | Manchon | Manguito |
| | 20 | 9041003 | 4 | ROSETTA GROWER ø 10 N UNI 1751 | Unterlegscheibe | Washer | Rondelle | Arandela |
| | 21 | 9024005 | 9 | DADO AUTOBL.ALTO M 10 PASS. UNI 7473 | Mutter | Nut | Ecrou | Tuerca |
| | 22 | 6805571 | 1 | PERNO DI FERMO X BARRA | Bolzen | Pin | Pivot | Perno |
| | 23 | 9032001 | 1 | DADO ALTO M 12 PASS. UNI 5587 | Mutter | Nut | Ecrou | Tuerca |
| | 24 | 9043103 | 1 | ROSETTA DENTELLATA E M 12 PASS. UNI 8842 | Unterlegscheibe | Washer | Rondelle | Arandela |
| | 25 | 9048003 | 1 | GRANO M 12 X 30 CILINDRO UNI5925 PASS. | Schraube | Screw | Vis | Tornillo |
| | 26 | 6805560 | 1 | MANICOTTO MOBILE X BARRA | Muffe | Coupling | Manchon | Manguito |
| | 27 | 9031001 | 2 | DADO BASSO M 12 PASS. UNI 5589 | Mutter | Nut | Ecrou | Tuerca |
| | 28 | 7005631 | 1 | SUPP. COFANO IN ABS BARRA B/O LASER ASS | Halterung | Support | Support | Soporte |
| | 29 | 9035502 | 2 | DADO IN GABBIA | Mutter | Nut | Ecrou | Tuerca |
| | 30 | 7005634 | 1 | COFANO BARRA IN ABS | Haube | Cover | Capot | Cofano |

**Tav. 11****TRASMISSIONE BARRA - Mähwerksantrieb - Mowing bar drive**

◀ 2/3 ▶

Transmission barre de couple - Mecanismo barra de corte

B0118

| Pos. | Code | N° |
|------|------|----|
|------|------|----|

| Rel. 0206 | Pos. | Code | N° | | | | | |
|-----------|------|---------|----|--|-----------------|---------------------|----------------------|--------------------|
| | 31 | 9901277 | 1 | ANELLO PASSACAVO ø 14 IN PVC | Ring | Ring | Bague | Anillo |
| | 32 | 7005600 | 2 | DISTANZIALE X SILENT BLOCK- COFANO ESM | Distanzstück | Spacer | Entretoise | Separador |
| | 33 | 9052010 | 2 | ROSETTA PIANA M 8 X 24 PASS. | Unterlegscheibe | Washer | Rondelle | Arandela |
| | 34 | 9011010 | 1 | VITE TE M 8 X 30 PASS. UNI 5739 TF | Schraube | Screw | Vis | Tornillo |
| | 35 | 9011057 | 1 | VITE TE M 8 X 45 PASS. UNI 5737 | Schraube | Screw | Vis | Tornillo |
| | 36 | 7005641 | 1 | DISTANZIALE SUPP. BARRA | Distanzstück | Spacer | Entretoise | Separador |
| | 37 | 9901378 | 2 | ANTIVIBRANTE M 6 ø 20X13 LUNG. FIL.=15 | Gummipuffer | Cushion rubber | Tampon en caoutchouc | Supporte en gomme |
| | 38 | 9048011 | 1 | GRANO M 12 X 40 CILINDRO UNI 5925 | Schraube | Screw | Vis | Tornillo |
| | 39 | 9111006 | 1 | ANELLO TENUTA 20-47-8 | Ring | Ring | Bague | Anillo |
| | 40 | 9058003 | 1 | ANELLO SEEGER ø 47 I DIN 472 | Ring | Ring | Bague | Anillo |
| | 41 | 9901319 | 1 | GUARNIZIONE TAPPO 18X1,5 | Dichtung | Gasket | Joint | Junta |
| | 42 | 9901287 | 1 | TAPPO SFIATO OLIO M 18 X 1,5 | Stopfen | Cap | Bouchon | Tapòn |
| | 43 | 9107009 | 1 | CUSC.A RULLINI NK 35/20 | Nadellager | Needle Bearing | Roulement Aiguilles | Cojinete De Agujas |
| | 44 | 9111054 | 1 | ANELLO TENUTA 35-45-7 | Ring | Ring | Bague | Anillo |
| | 45 | 6805580 | 1 | BIELLA ESTERNA ASS. | Kuppelstange | Rod | Levier | Biela |
| | 46 | 6805531 | 1 | SUPP. COF. BIELLA | Halterung | Support | Support | Soporte |
| | 47 | 6805532 | 1 | COFANO BIELLA | Haube | Cover | Capot | Cofano |
| | 48 | 9013303 | 1 | VITE TTQST M 8 X 25 N | Schraube | Screw | Vis | Tornillo |
| | 49 | 9012003 | 2 | VITE TCEI M 8 X 25 PASS. UNI 5931 | Schraube | Screw | Vis | Tornillo |
| | 50 | 9002001 | 2 | VITE TCEI M 8 X 25 N UNI 5931 | Schraube | Screw | Vis | Tornillo |
| | 51 | 9043001 | 6 | ROSETTA SCHNORR ø 8 NERA | Unterlegscheibe | Washer | Rondelle | Arandela |
| | 52 | 9012023 | 2 | VITE TCEI M 8 X 20 PASS. UNI 5931 | Schraube | Screw | Vis | Tornillo |
| | 53 | 9053001 | 2 | ROSETTA SCHNORR ø 8 PASS. | Unterlegscheibe | Washer | Rondelle | Arandela |
| | 54 | 6805562 | 2 | PATTINO X REGISTRO GUIDALAMA | Gleitbacke | Sliding block Patin | Patin | Patin |
| | 55 | 6805564 | 1 | GUIDALAMA X BARRA C. | Messerköpf | Blade head | | Cabeza |
| | 56 | 1302550 | 1 | PIASTR.DI SPESS.BAR.SEMIF | Plaettchen | Plate | Plaquette | Lamina |
| | 57 | 6805538 | 1 | PIOLINO X GUIDALAMA | Bolzen | Pin | Cheville | Eje |
| | 58 | 9053002 | 4 | ROSETTA SCHNORR ø 10 PASS. | Unterlegscheibe | Washer | Rondelle | Arandela |
| | 59 | 9901097 | 1 | GUARNIZIONE | Dichtung | Gasket | Joint | Junta |
| | 60 | 9004007 | 1 | VITE TCC M 8 X 12 Z | Schraube | Screw | Vis | Tornillo |



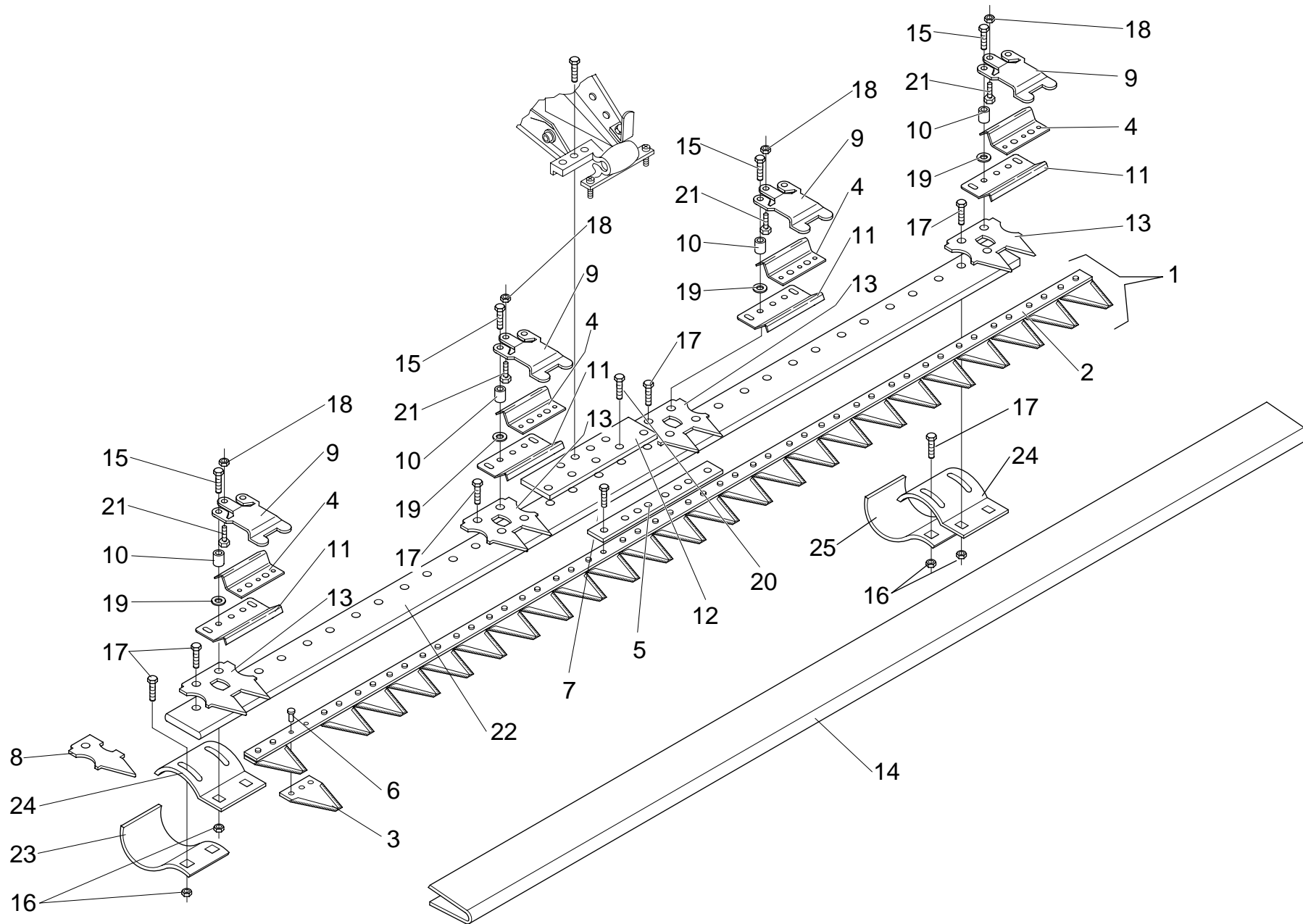
GHEPARD

Tav. 12

B0117

BARRA "GARDEN" 107 - 127 - Balkenmäh Mowing bar - Barre de couple - Barra de corte

Rel. 0206





B0117

Mowing bar - Barre de couple - Barra de corte

| Pos. | Code | N° | | | | | | |
|-----------|------|-----------|----|---|----------------------|---------------|-----------------|---------------------|
| Rel. 0206 | 1 | LV0402107 | 1 | LAMA RIGATA COMP.TA VEDI COD.9903101 | Messer | Blade | Couteau | Cuchilla |
| | 1 | LV0402507 | 1 | LAMA RIGATA COM.TA | Messer | Blade | Couteau | Cuchilla |
| | 2 | LV3421211 | 1 | ASTA FORATA G3 21 S | Schalthebel | Shift lever | Levier | Palanca |
| | 2 | LV3425211 | 1 | ASTA FORATA G3 25/S | Schalthebel | Shift lever | Levier | Palanca |
| | 3 | LV0310044 | 21 | SEZIONE RIGATA 3 FORI GARDEN 3 | Messerklinge | Section | Section De lame | Seccion |
| | 3 | LV0310044 | 25 | SEZIONE RIGATA 3 FORI GARDEN 3 | Messerklinge | Section | Section De lame | Seccion |
| | 4 | LV0621132 | 4 | PIASTRINA PULIZIA | Platte | Plate | Plaque | Placa |
| | 5 | LV0625036 | 1 | RINFORZO | Verstaerkung | Reinforcement | Renfort | Refuerzo |
| | 5 | LV0625201 | 1 | RINFORZO | Verstaerkung | Reinforcement | Renfort | Refuerzo |
| | 6 | LV0628015 | 16 | RIBATTINO A GOCCIA 5,2 X 15 | Niet | Rivet | Rivet | Remache |
| | 6 | LV0628015 | 24 | RIBATTINO A GOCCIA 5,2 X 15 | Niet | Rivet | Rivet | Remache |
| | 7 | LV0628018 | 26 | RIBATTINO A GOCCIA 5,2 X 18 | Niet | Rivet | Rivet | Remache |
| | 8 | LV0623118 | 1 | DENTE SINGOLO GARDEN III SERIE | Finger | Tooth | Doigt | Dedo |
| | 9 | LV0621130 | 4 | PREMILAMA SERIE GARDEN 3 | Platte Messerniederh | Wear Plate | Plaque D Usure | Placa Guia Cuchilla |
| | 10 | LV0621135 | 8 | DISTANZIALE | Distanzstück | Spacer | Entretoise | Separador |
| | 11 | LV0621131 | 4 | GUIDALAMA | Messerköpf | Blade head | | Cabeza |
| | 12 | LV0627003 | 1 | PIASTRA DI RACCORDO | Platte | Plate | Paque | Placa |
| | 13 | LV0623115 | 1 | DENTE DOPPIO GARDEN III | Finger | Tooth | Doigt | Dedo |
| | 14 | LV0625059 | 1 | PROTEZIONE CM. 107 | Schutz | Schild | Protection | Protección |
| | 14 | LV0625062 | 1 | PROTEZIONE CM. 127 | Schutz | Schild | Protection | Protección |
| | 15 | 9011057 | 4 | VITE TE M 8 X 45 PASS. UNI 5737 | Schraube | Screw | Vis | Tornillo |
| | 16 | 9032103 | 8 | DADO FLANGIATO M 8 PASS. DIN 6923 ZIGR. | Mutter | Nut | Ecrou | Tuerca |
| | 17 | 9011018 | 8 | VITE TE M 8 X 16 PASS. UNI 5739 TF | Schraube | Screw | Vis | Tornillo |
| | 17 | 9011018 | 12 | VITE TE M 8 X 16 PASS. UNI 5739 TF | Schraube | Screw | Vis | Tornillo |
| | 18 | 9031101 | 12 | DADO MEDIO M 8 PASS. UNI 5588 | Mutter | Nut | Ecrou | Tuerca |
| | 19 | LV7270008 | 8 | RONDELLA DI REGOLAZIONE | Unterlegscheibe | Washer | Rondelle | Arandela |
| | 20 | 9001006 | 5 | VITE TE M 8 X 22 N UNI 5739 TF | Schraube | Screw | Vis | Tornillo |
| | 21 | 9011041 | 4 | VITE TE M 6 X 45 PASS. UNI 5737 | Schraube | Screw | Vis | Tornillo |
| | 22 | LV0626408 | 1 | LASTRONE G3 CM.107 | Stab | Support | Equerre | Barra |
| | 22 | LV0626412 | 1 | LASTRONE | Stab | Support | Equerre | Barra |



GHEPARD

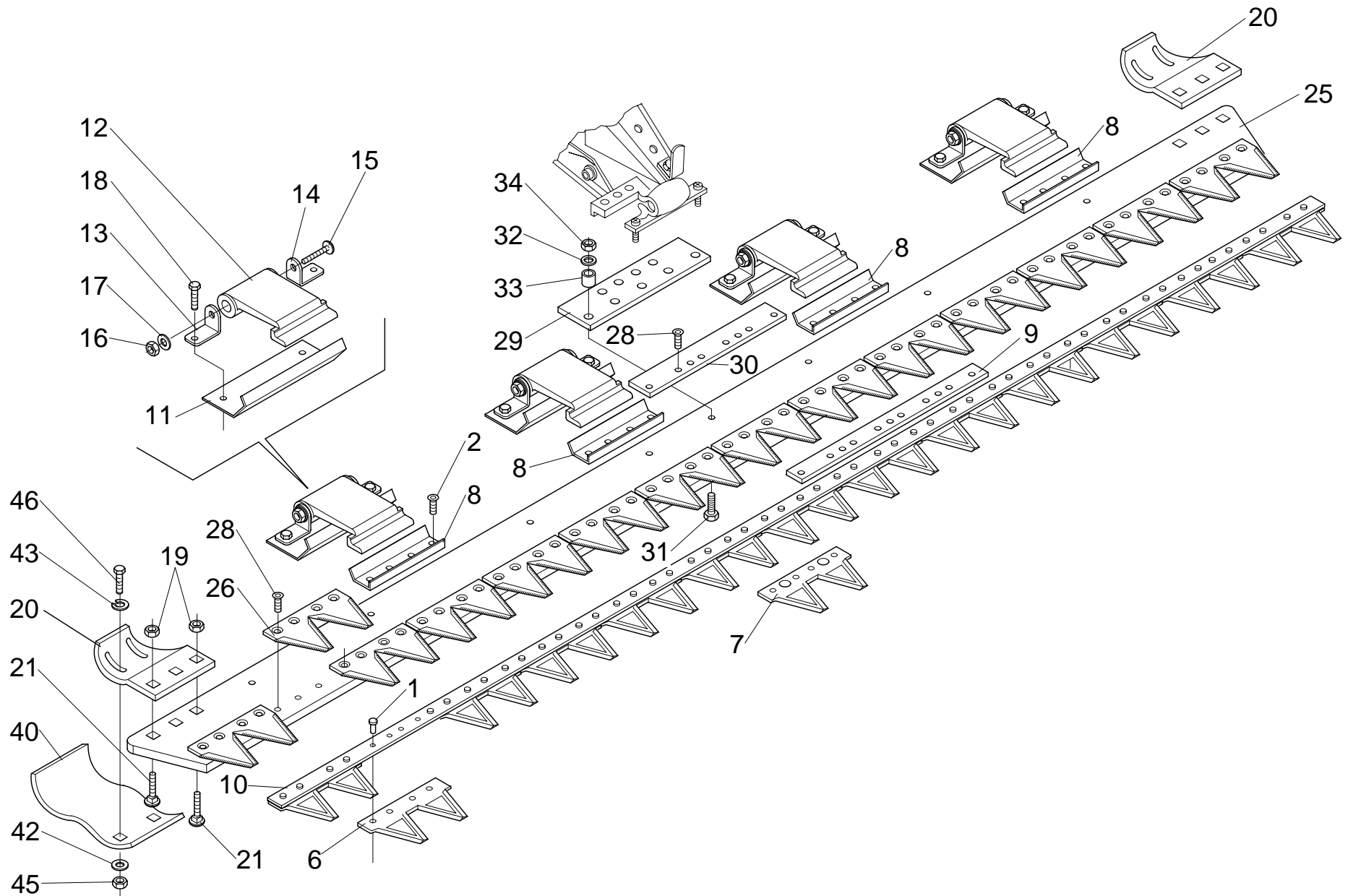
Tav. 13

B0141

BARRA ESM 122 - Balkenmäh ESM

ESM Mowing bar - Barre de coupe ESM - Barra de corte ESM

Rel. 0206

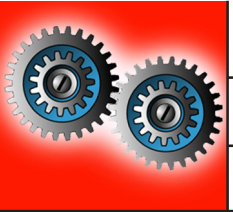




B0141

ESM Mowing bar - Barre de couple ESM - Barra de corte ESM

| Pos. | Code | N° | | | | | | |
|-----------|------|-----------|---|-----------------------------|----------------------|---------------|-----------------|---------------------|
| Rel. 0206 | 1 | ES5440151 | 1 | RIBATTINO 5 X 17 | Niet | Rivet | Rivet | Remache |
| | 2 | ES5440171 | 1 | RIBATTINO 5 X 20 | Niet | Rivet | Rivet | Remache |
| | 6 | ES3441311 | 1 | SEZIONE DOPPIA | Messerklinge | Section | Section De Lame | Seccion |
| | 7 | ES3441321 | 1 | SEZIONE DOPPIA | Messerklinge | Section | Section De Lame | Seccion |
| | 8 | ES3320200 | 1 | PIASTRINA DI CONSUMO | Verschleissplatte | Wear Plate | Plaque D'Usure | Placa De Dessaste |
| | 9 | ES3740550 | 1 | PIASTRA DI RINFORZO | Platte | Plate | Plaque | Placa |
| | 10 | ES2491530 | 1 | LAMA COMPLETA CM 122 | Messer | Blade | Couteau | Cuchilla |
| | 11 | ES3322910 | 4 | SUPPORTO PREMILAMA | Halterung | Support | Support | Soporte |
| | 12 | ES3322180 | 4 | PREMILAMA | Platte Messerniederh | Wear Plate | Plaque D Usure | Placa Guia Cuchilla |
| | 13 | ES3643550 | 4 | ALETTA X PREMILAMA | Halterung | Support | Support | Soporte |
| | 14 | ES3643560 | 4 | ALETTA X PREMILAMA | Halterung | Support | Support | Soporte |
| | 15 | ES5590700 | 4 | VITE TTQST M10 X 10 X 70 | Schraube | Screw | Vis | Tornillo |
| | 16 | ES5370270 | 4 | DADO M10 X 1 | Mutter | Nut | Ecrou | Tuerca |
| | 17 | 9053002 | 4 | RONDELLA Ø 10 SCHNOR | Unterlegscheibe | Washer | Rondelle | Arandela |
| | 18 | ES5620800 | 8 | VITE TE M 8 X 14 | Schraube | Screw | Vis | Tornillo |
| | 19 | 9031101 | 8 | DADO M8 | Mutter | Nut | Ecrou | Tuerca |
| | 20 | ES3410890 | 2 | SUPPORTO SLITTA | Halterung | Support | Support | Soporte |
| | 21 | 9004510 | 4 | VITE TTQST M8 X 25 | Schraube | Screw | Vis | Tornillo |
| | 25 | ES3020120 | 1 | PIATTO FORATO CM 122 | Platte | Plate | Plaque | Placa |
| | 26 | ES3211211 | | SEZIONE DOPPIA | Messerklinge | Section | Section De Lame | Seccion |
| | 28 | ES3231901 | | RIBATTINO 6 X 25 | Niet | Rivet | Rivet | Remache |
| | 29 | ES3010500 | 1 | PIASTRA ATTACCO | Platte | Plate | Paque | Placa |
| | 30 | ES3012290 | 1 | PIASTRA DI RINFORZO | Verstaerkung | Reinforcement | Renfort | Refuerzo |
| | 31 | 9011010 | | VITE TE M 8 X 30 | Schraube | Screw | Vis | Tornillo |
| | 32 | 9052002 | | RONDELLA Ø 8 | Unterlegscheibe | Washer | Rondelle | Arandela |
| | 33 | ES5701010 | | DISTANZIALE 11 X 14 | Abstandstück | Spacer | Entretoise | Separador |
| | 34 | 9023001 | | DADO M8 AUTOBLOCCANTE BASSO | Mutter | Nut | Ecrou | Tuerca |
| | 40 | ES3410090 | 2 | SLITTA | Laufsohle | Slide | Soutien | Soporte |
| | 42 | ES5550190 | 4 | RONDELLA Ø 8,4 | Unterlegscheibe | Washer | Rondelle | Arandela |
| | 43 | 9044001 | 4 | RONDELLA Ø 8 HEDTMAN | Unterlegscheibe | Washer | Rondelle | Arandela |



GHEPARD

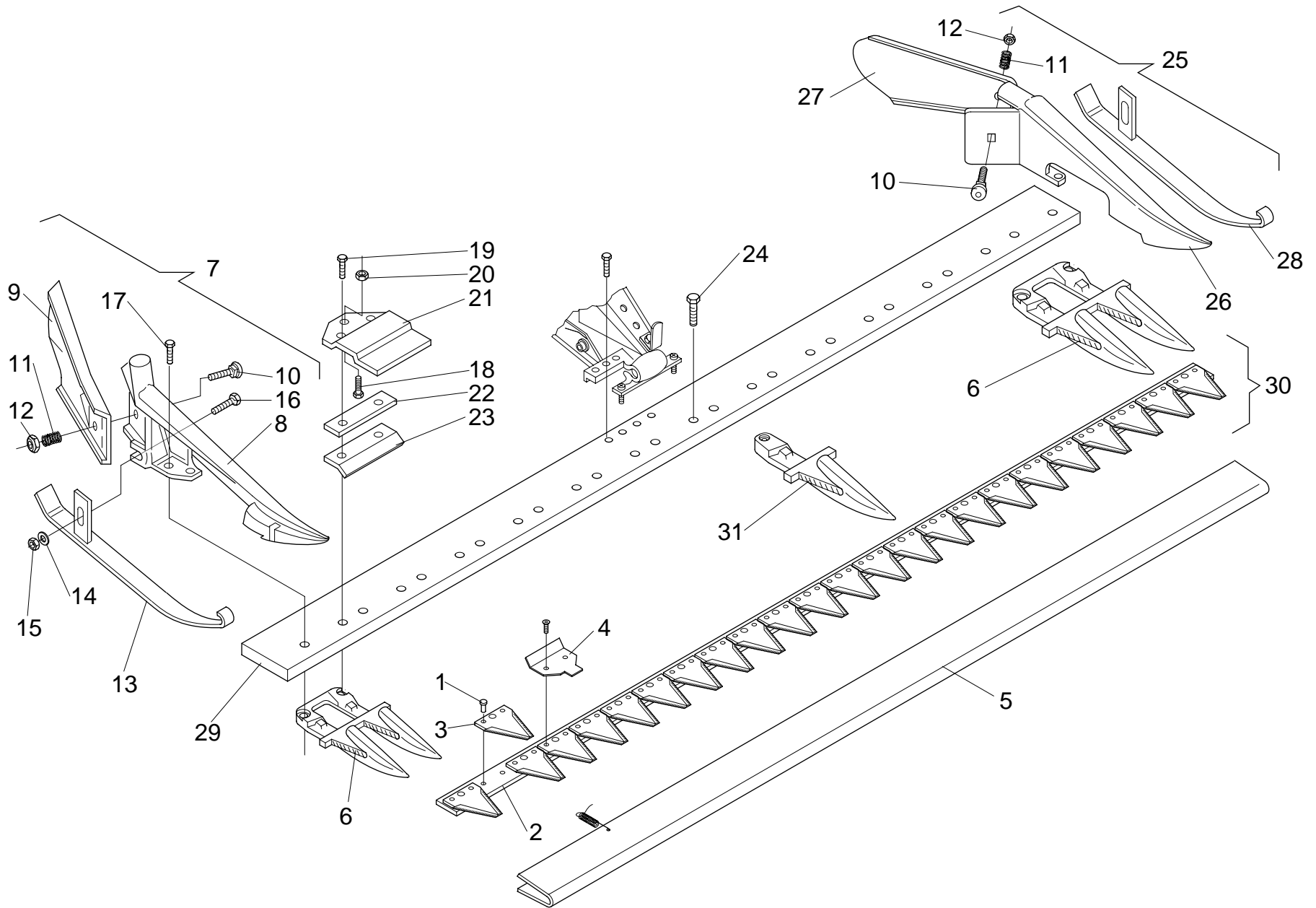
Tav. 14

B0142

BARRA FALCIANTE SEMIFITTA 112 - 127 - Balkenmäh

Mowing bar - Barre de couple - Barra de corte

Rel. 0206



**Tav. 14****BARRA FALCIANTE SEMIFITTA 112 - 127 - Balkenmäh**

1/2

B0142

Mowing bar - Barre de couple - Barra de corte

| Pos. | Code | N° | | | | | | |
|-----------|------|-----------|---|--|-------------------------|--------------------|----------------------|---------------------|
| Rel. 0206 | 1 | 9901038 | 0 | RIBATTINO 5,2 X 13 | Niet | Rivet | Rivet | Remache |
| | 2 | 1302006 | 2 | ASTA FORATA CM.127 SEZ. LARGHE 17 SEZ. | Schalthebel | Shift lever | Levier | Palanca |
| | 2 | 7005550 | 2 | ASTA FORATA CM.110 S/STRE | Schalthebel | Shift lever | Levier | Palanca |
| | 3 | 1302008 | 0 | SEZIONE LAMA 3" D 2466 | Klinge | Blade | Couteau | Cuchilla |
| | 4 | 9903057 | 6 | PIASTRINA PULIZIA 3" | Plaettchen | Plate | Plaquette | Lamina |
| | 5 | 6805587 | 1 | PROTEZIONE BARRA CM.127 | Schutz | Schild | Protection | Protecciòn |
| | 5 | 6805588 | 1 | PROTEZIONE BARRA CM.112 | Schutz | Schild | Protection | Protecciòn |
| | 6 | 1302004 | 0 | DENTE DOPPIO SEMIFITTO | Finger | Tooth | Doigt | Dedo |
| | 7 | 9903029 | 1 | SCARPA DX | Schuh | Shoe | Sabot | Zapata |
| | 8 | - | 0 | NON FORNITO SINGOLARMENTE | Nicht Einzeln lieferbar | Not supplied alone | Pas vendus tout soul | Indisponible suelto |
| | 9 | 9903125 | 1 | ANDANA DX | Aupenschuh | Windrow Limiter | Limiteur D'Andain | Andana |
| | 10 | LV7081050 | 2 | VITE TTQST M 10 X 50 UNI 5732 | Schraube | Screw | Vis | Tornillo |
| | 11 | LV0624007 | 2 | MOLLA PER ANDANA | Feder | Spring | Ressort | Resorte |
| | 12 | 9024005 | 2 | DADO AUTOBL.ALTO M 10 PASS. UNI 7473 | Mutter | Nut | Ecrou | Tuerca |
| | 13 | 9903031 | 1 | SUOLA DX | Bodenplatte | Shoe | Patin | Zapata |
| | 14 | 9052001 | 2 | ROSETTA PIANA M 10 PASS. UNI 6592 | Unterlegscheibe | Washer | Rondelle | Arandela |
| | 15 | 9032003 | 0 | DADO ALTO M 10 PASS. UNI 5587 | Mutter | Nut | Ecrou | Tuerca |
| | 16 | 9011009 | 2 | VITE TE M 10 X 25 PASS. UNI 5739 TF | Schraube | Screw | Vis | Tornillo |
| | 17 | 9011006 | 0 | VITE TE M 10 X 30 PASS. UNI 5739 TF | Schraube | Screw | Vis | Tornillo |
| | 18 | 9903060 | 4 | VITE DI REGISTRO PREMILAMA | Schraube | Screw | Vis | Tornillo |
| | 19 | 9011022 | 8 | VITE TE M 10 X 40 PASS. UNI 5737 | Schraube | Screw | Vis | Tornillo |
| | 20 | 9031004 | 4 | DADO BASSO M 10 PASS. UNI 5589 | Mutter | Nut | Ecrou | Tuerca |
| | 21 | 2805518 | 4 | PREMILAMA DOPPIO | Messerniederhalter | Knife Guide | Guide Lame | Guia Cuchilla |
| | 22 | 9903059 | 4 | PIASTRINA DI SPESSOR. PREMILAMA SP.2 | Plaettchen | Plate | Plaquette | Lamina |
| | 23 | 9903058 | 4 | PIASTRINA GUIDAL.LV102 621102 | Plaettchen | Plate | Plaquette | Lamina |
| | 24 | 9011009 | 0 | VITE TE M 10 X 25 PASS. UNI 5739 TF | Schraube | Screw | Vis | Tornillo |
| | 25 | 9903030 | 1 | SCARPA SX | Schuh | Shoe | Sabot | Zapata |
| | 26 | - | 0 | NON FORNITO SINGOLARMENTE | Nicht Einzeln lieferbar | Not supplied alone | Pas vendus tout soul | Indisponible suelto |
| | 27 | 9903626 | 1 | ANDANA SX | Aupenschuh | Windrow Limiter | Limiteur D'Andain | Andana |
| | 28 | 9903032 | 1 | SUOLA SX | Bodenplatte | Shoe | Patin | Zapata |

